



**(GB)** Instructions for use/Technical description

**(USA)** Battery-powered clipping machine  
FAV5 CL/FORTIS

**(D)** Gebrauchsanweisung/Technische Beschreibung

Akku-Schermaschine FAV5 CL/FORTIS

**(F)** Mode d'emploi/Description technique

Tondeuse à accu FAV5 CL/FORTIS

**(E)** Instrucciones de manejo/Descripción técnica

Esquiladora a batería FAV5 CL/FORTIS

**(I)** Istruzioni per l'uso/Descrizione tecnica

Tosatrice ad accumulatore FAV5 CL/FORTIS

**(NL)** Gebruiksaanwijzing/Technische Beschrijving

Accu-scheermachine FAV5 CL/FORTIS

**(S)** Bruksanvisning/Teknisk Beskrivning

Batteridrivnen klippmaskin FAV5 CL/FORTIS

**(RUS)** Инструкция по применению/  
Техническое описание

Машинка для стрижки, с аккумулятором,  
FAV5 CL/FORTIS

**(PL)** Instrukcja użytkowania/Opis Techniczny

Akumulatorowa maszyna do strzyżenia  
FAV5 CL/FORTIS

**(CN)** 使用说明书 / 技术描述

FAV5 CL/FORTIS 蓄電池剪毛機

**(J)** 取扱説明書 / 技術仕様書

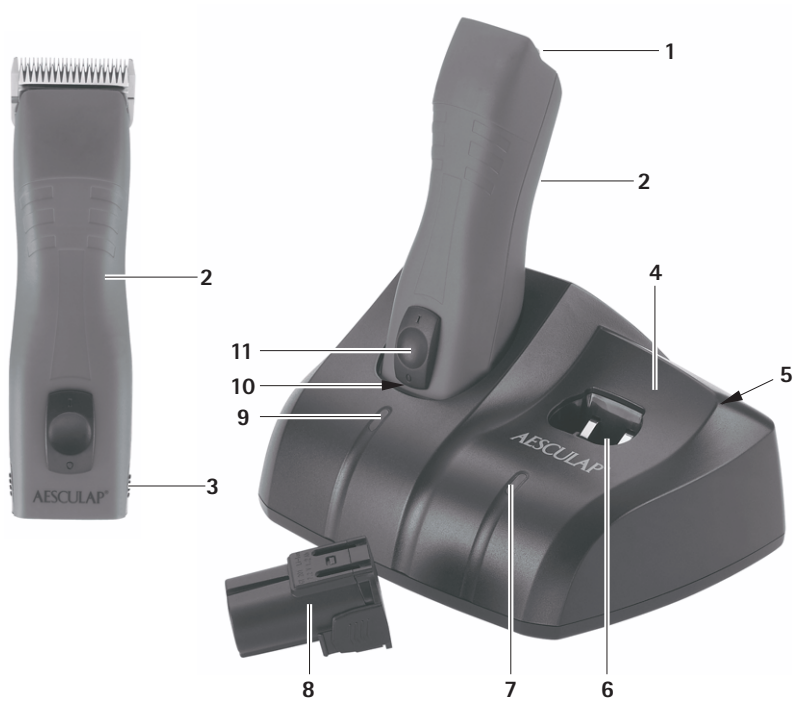
充電池駆動ヘアカッター FAV5 CL/FORTIS

**(KR)** 사용 설명서 / 기술 설명

FAV5 CL/FORTIS 충전 면도기

**(TW)** 使用说明书 / 技术描述

FAV5 CL/FORTIS 蓄電池剪毛機







Battery-powered clipping machine FAV5 CL/FORTIS

Legend

- 1 Blade adapter
- 2 Battery-powered clipping machine FAV5 CL/FORTIS
- 3 Battery release lock
- 4 Charger
- 5 Mains power cord (with device plug)
- 6 Charging bay (for Li-ion battery)
- 7 Charge state indicator (for Li-ion battery)
- 8 Li-ion battery
- 9 Charge state indicator (for battery-powered clipping machine FAV5 CL/FORTIS)
- 10 Charging bay (for battery-powered clipping machine FAV5 CL/FORTIS)
- 11 On/Off switch
- 12 Blade

Symbols on product

	<p>Adhere to instructions for use</p>
	<p>Marking of electric and electronic devices according to directive 2012/19/EU (WEEE), see Chapter Disposal</p>

Contents

- 1. Safe handling ..... 3
- 2. Product description ..... 4
  - 2.1 Scope of delivery ..... 4
  - 2.2 Components required for operation ..... 4
  - 2.3 Intended use of battery-powered clipping machine FAV5 CL/FORTIS ..... 4
  - 2.4 Intended use of charger GT203/Li-ion battery GT201 ..... 4
  - 2.5 Operating principle of the battery-powered clipping machine FAV5 CL/FORTIS ..... 4
  - 2.6 Operating principle of charger GT203/ Li-ion battery GT201 ..... 5
    - 2.6.1 Charging principle ..... 5
    - 2.6.2 Charging time ..... 5
- 3. Preparation and setup ..... 5
- 4. Working with the battery-powered clipping machine FAV5 CL/FORTIS, and the charger GT203/Li-ion battery GT201 ..... 6
  - 4.1 System set-up ..... 6
    - 4.1.1 Connecting the accessories..... 6
    - 4.1.2 Attaching the blade..... 6
    - 4.1.3 Connecting the charger/Charging the Li-ion battery..... 7
  - 4.2 Functional check of the battery-powered clipping machine FAV5 CL/FORTIS ..... 7
  - 4.3 Function checks of the charger ..... 8
  - 4.4 Safe handling blade ..... 8
    - 4.4.1 Sharpening the cutting plate ..... 8
    - 4.4.2 Changing the blade ..... 8
    - 4.4.3 Lubricating the blade..... 9
    - 4.4.4 Changing the Li-ion battery ..... 9
- 5. Processing ..... 10
  - 5.1 Cleaning/disinfection ..... 10
  - 5.2 Control, care and inspection ..... 10
- 6. Maintenance ..... 11
- 7. Troubleshooting list ..... 12
  - 7.1 Battery-powered clipping machine FAV5 CL/ FORTIS ..... 12
  - 7.2 Charger and Li-ion battery ..... 13
- 8. Technical Service ..... 14
- 9. Accessories/Spare parts ..... 15

10.	Technical data .....	16
10.1	Battery-powered clipping machine FAV5 CL/ FORTIS .....	16
10.2	Charger .....	16
10.3	Li-ion battery .....	16
10.4	Declaration of conformity .....	16
11.	Disposal .....	16
11.1	For EU countries only .....	16
11.2	Li-ion batteries .....	16
12.	Two year guarantee .....	17
13.	Distributor in the US/Contact in Canada for product information and complaints .....	17

## 1. Safe handling

### CAUTION

**Federal law restricts this device to sale by or on order of a physician!**



**Risk of fatal injury from electric shock!**

- **Do not open the product (except for changing a charging bay).**
- **Connect the product only to a grounded power supply.**

- Prior to use, check that the product is in good working order.
- Store the charger and Li-ion batteries at room temperature.
- Keep dry the charger and Li-ion batteries.
- Charge the Li-ion batteries prior to first use.
- Observe our "Notes on Electromagnetic Compatibility (EMC)".
- To prevent damage caused by improper setup or operation, and in order not to compromise warranty and manufacturer liability:
  - Use the product only according to these instructions for use.

- Follow the safety and maintenance instructions.
- Ensure the manufacturer's approval before using accessories that are not mentioned in the instructions for use.
- Ensure that the product and its accessories are operated and used only by persons with the requisite training, knowledge, or experience.
- Keep the instructions for use accessible for the user.
- Always adhere to applicable standards.
- Ensure that the electrical facilities in the room in which the device is being used conform to IEC norms.
- Unplug the device by pulling the plug, but never by pulling the power cord.
- Do not operate the product in explosion-hazard areas.
- Do not use the product if it is damaged or defective. Set aside the product if it is damaged.

### Note

*The device can be used by children over the age of 8 as well as by persons with reduced physical, sensory or mental capacities or with lack of experience and knowledge, if these persons are supervised or have been instructed on how to use the device safely, and if they understand the risks associated with the use of the device.*

- Do not allow children to play with the device.
- Do not allow children to carry out cleaning and maintenance of the device without supervision.

Battery-powered clipping machine FAV5 CL/FORTIS

**2. Product description**

**2.1 Scope of delivery**

Designation	Art. no.
Battery-powered clipping machine FAV5 CL/FORTIS	GT300/GT380
Li-ion battery	GT201
Charger	GT203
Mains power cord (with device plug)	see Chapter Accessories/ Spare parts
Instructions for Use	TA013440

*Note*

*The blade GT330 #10 (USA+UK) for battery-powered clipping machine FAV5 CL/FORTIS is included in the scope of delivery. Various blades are available for different applications!*

**2.2 Components required for operation**

- Battery-powered clipping machine FAV5 CL/FORTIS
- Blade
- Charger
- Mains power cord (with device plug)
- Li-ion battery

**2.3 Intended use of battery-powered clipping machine FAV5 CL/FORTIS**

*Note*

*The device is intended exclusively for cutting animal hair.*

The battery-powered clipping machine FAV5 CL/FORTIS is used for shearing small animals.

The battery powered clipping machine FAV5 CL/FORTIS is used with a blade to be selected according to the respective application.

**2.4 Intended use of charger GT203/Li-ion battery GT201**

The charger GT203 is used for charging the battery-powered clipping machine FAV5 CL/FORTIS and the Li-ion battery. There is one charging bay each for the two components.

**2.5 Operating principle of the battery-powered clipping machine FAV5 CL/FORTIS**

The battery-powered clipping machine FAV5 CL/FORTIS is switched on (off) by pushing the ON/OFF switch up (down).

## 2.6 Operating principle of charger GT203/Li-ion battery GT201

The charger GT203 is designed for the mains voltage/frequency range 100 V to 240 V / 50 Hz to 60 Hz.

To make the charger GT203 ready for operation, connect it to mains power by plugging in the mains plug.

The charger GT203 is equipped with two charging bays. The first charging bay is for charging the battery-powered clipping machine FAV5 CL/FORTIS, while in the second charging bay the Li-ion battery is charged.

Each charging bay has an indicator field on the charger front panel assigned to it.

Charging starts automatically, as soon as a Li-ion battery is inserted in the charging station.

The charging time in the charging bays depends on the charge state and capacity of the Li-ion batteries.

### 2.6.1 Charging principle

The Li-ion batteries are charged by constant current pulses.

The charge state of the Li-ion battery is monitored during charging. Monitoring of the charging curve ensures that the battery is fully charged without overcharging.

Additionally, the battery temperature and charging time are monitored as well.

The charger monitors the battery status and indicates the charge state via two LED indicators.

LED indicators:

- green = Battery fully charged
- red = Battery completely discharged

### 2.6.2 Charging time

Charging is stopped as soon as the maximum charging time is reached.

The charging time is approx. 50 min.

## 3. Preparation and setup

Non-compliance with the following instructions will preclude all responsibility and liability in this respect on the part of Aesculap.

- When setting up and operating the product, adhere to
  - national regulations for installation and operation,
  - national regulations on fire and explosion protection.
  - operating advisories according to IEC-/VDE regulations.



**DANGER**

### Fire and explosion hazard!

- Do not operate the product in explosion-hazard areas.



**CAUTION**

### Malfunction of, or damage to the product caused by improper setup!

- Do not expose the product to direct sunlight or moisture.
- Do not cover the ventilation slots of the product.
- Connect the product to the specified voltage of 100 V to 240 V/50 Hz to 60 Hz.
- Ensure that the mains power socket used for supplying the product is freely accessible.

## Battery-powered clipping machine FAV5 CL/FORTIS

### 4. Working with the battery-powered clipping machine FAV5 CL/FORTIS, and the charger GT203/Li-ion battery GT201

#### 4.1 System set-up

##### 4.1.1 Connecting the accessories

Combinations of accessories that are not mentioned in the present instructions for use may only be employed if they are specifically intended for the respective application, and if they do not compromise the performance and safety characteristics of the products.

##### 4.1.2 Attaching the blade



**WARNING**

**Risk of injury caused by sharp cutting plates!**

- Handle the blade of clipping machine FAV5 CL/FORTIS with appropriate caution.

#### Note

The blade GT330 #10 (USA+UK) for battery-powered clipping machine FAV5 CL/FORTIS is included in the scope of delivery. Various blades are available for different applications!



Fig. 1

- If the knife hinge is closed: Open knife hinge 13 with a screwdriver, see Fig. 1.

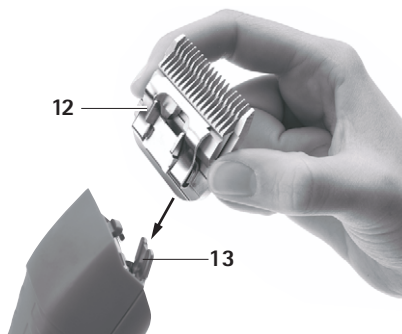


Fig. 2

- Install blade 12 on open knife hinge 13, see Fig. 2.
- Press ON/OFF switch 11.
- Press blade 12 gently in the direction of the clipping machine FAV5 CL/FORTIS, see Fig. 2. The blade 12 engages with an audible click.
- Ensure that the blade 12 is fitted correctly on the clipping machine FAV5 CL/FORTIS.



### 4.1.3 Connecting the charger/Charging the Li-ion battery



**WARNING**

Fire hazard due to battery poles shorted by fluids or metal components!

- Do not short the Li-ion battery.



**WARNING**

Risk of injury and material damage due to damaged Li-ion batteries!

- Prior to charging, check the Li-ion batteries for any damage.
- Do not use or charge damaged Li-ion batteries.



**CAUTION**

Loss of capacity/performance due to prolonged storage of discharged Li-ion batteries!

- Store Li-ion batteries only in fully charged condition and recharge stored batteries once every month.



**CAUTION**

Destruction of the product, charging bay or Li-ion battery when inserting the wrong type of battery in the charging bay!

- Insert Li-ion batteries only in the appropriate charging bay.
- Insert the Li-ion battery in the correct position.

*Note*

*Switch off the battery-powered clipping machine FAV5 CL/FORTIS before charging!*

*Note*

*Li-ion batteries heat up slightly during charging.*

*Note*

*Unplug the mains power cord at the mains socket when the charger is not going to be used!*

- To connect charger 4: Plug in the device plug of mains power cord 5 in charger 4.

- Plug in the mains plug of mains power cord 5 at the mains power socket.

- Place Li-ion battery 8 in charging bay 6 of the charger 4 and charge.

- or -

- Place battery-powered clipping machine FAV5 CL/FORTIS 2 in charging bay 10 of the charger 4 and charge.

Charge state indicator 7 or 9 lights up red.

After charging, the charge state indicator 7/9 shines green and the battery-powered clipping machine FAV5 CL/FORTIS 2/Li-ion battery 8 is ready for operation.

### 4.2 Functional check of the battery-powered clipping machine FAV5 CL/FORTIS

- Carry out a visual inspection.

- Check the switch position.

- Install the battery, see Chapter Changing the Li-ion battery.

- Mount the blade correctly and lubricate it if necessary, see Chapter Safe handling blade.

- Keep a charged Li-ion battery on hand, as reserve.

- Clean battery-powered clipping machine FAV5 CL/FORTIS prior to use, see Chapter Cleaning/disinfection.

## Battery-powered clipping machine FAV5 CL/FORTIS

### 4.3 Function checks of the charger

- Carry out a visual inspection.
- Prior to connecting the product to mains power:
  - Check mains power cord **5** for possible damage.
  - Check the product for any damage (e.g. bent contacts of the charging bays).
- Plug in mains power cord **5** at the device socket of the charging station.
- Plug in the mains plug at the mains power socket.
- Place Li-ion battery **8** in charging bay **6** of the charger **4** and charge.
  - or -
- Place battery-powered clipping machine FAV5 CL/FORTIS **2** in charging bay **10** of the charger **4** and charge.

Charge state indicator **7** or **9** lights up red.

After charging, the charge state indicator **7/9** shines green and the battery-powered clipping machine FAV5 CL/FORTIS **2**/Li-ion battery **8** is ready for operation.

The product is ready for operation.

### 4.4 Safe handling blade

#### 4.4.1 Sharpening the cutting plate

*Note*

For sharpening the cutting plate, please contact Technical Service, see Chapter Technical Service.

### 4.4.2 Changing the blade



**Risk of injury caused by sharp cutting plates!**

- Handle the blade of clipping machine FAV5 CL/FORTIS with appropriate caution.

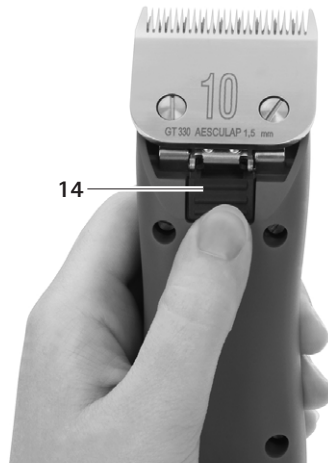


Fig. 3

- Press ON/OFF switch **11** to switch off battery-powered clipping machine FAV5 CL/FORTIS.
- Press blade lock **14**, see Fig. 3.



Fig. 4

- Fold forward blade **12**, see Fig. 4.
- Detach blade **12**.
- Clean open knife hinge with a brush.
- Install blade **12** on knife hinge.
- Plug in the power cord of battery-powered clipping machine FAV5 CL/FORTIS.
- Press ON/OFF switch **11**.
- Slightly push blade **12** towards battery-powered clipping machine FAV5 CL/FORTIS.  
Blade **12** will click into position.
- Check that blade **12** is correctly seated on battery-powered clipping machine FAV5 CL/FORTIS.

#### 4.4.3 Lubricating the blade

- Clean the upper and lower cutting plates with a soft cloth or brush. Make certain that the gaps between the cutting teeth are cleaned properly.
- Slightly lubricate the upper and lower cutting plates with special lubricant for blades GT604.

#### 4.4.4 Changing the Li-ion battery

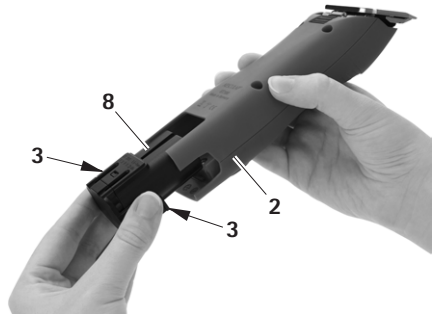


Fig. 5

- Hold battery-powered clipping machine FAV5 CL/FORTIS **2** and press battery release lock **3**.
- Pull out Li-ion battery **8** from battery-powered clipping machine FAV5 CL/FORTIS **2**.
- Insert the charged Li-ion battery **8** in battery-powered clipping machine FAV5 CL/FORTIS **2** as far as it will go.  
The battery-powered clipping machine FAV5 CL/FORTIS **2** is ready for operation.

## Battery-powered clipping machine FAV5 CL/FORTIS

### 5. Processing



CAUTION

Damage to, or destruction of the product caused by mechanical cleaning/disinfecting or sterilization!

- Only clean and disinfect the product manually.
- Do not sterilize the product under any circumstances.



CAUTION

Damage to the product due to incorrect cleaning or inappropriate cleaning/disinfecting agents!

- Use any commercial detergent for surface cleaning.
- Never immerse the product in water or detergent.
- Do not introduce any fluid into the charging bays.
- Clean the contacts in the charging bays, applying extreme care.

### 5.1 Cleaning/disinfection

Note

Always follow disposal and hygiene instructions and regulations!

#### Manual cleaning/disinfection



DANGER

Risk of electric shock and fire hazard!

- Unplug the device before cleaning.
- Ensure that no fluids will penetrate the product.
- Leave the product exposed to air for at least 1 minute after cleaning/disinfecting.

- Wipe the shell of the product with a lint-free cloth moistened with a commercial disinfectant for wipe disinfection.
- If necessary, after the appropriate exposure time, wipe off any residues of the cleaning/disinfecting agent with a lint-free cloth moistened with clean water.
- Dry the product with a clean, lint-free cloth.
- Clean the contacts in the charging bay with isopropanol or ethyl alcohol and a cotton swab. Do not use corrosive chemicals.
- If necessary, repeat the cleaning/disinfecting process.

### 5.2 Control, care and inspection

- Allow the product to cool down to room temperature.
- Inspect the product after each cleaning and disinfecting cycle to be sure it is: clean, functional, and undamaged.
- Lubricate blade if required, see Chapter Lubricating the blade.
- Check the product for any damage, abnormal running noise, overheating or excessive vibration.
- Inspect the blade for broken, damaged or blunt cutting edges.
- Set aside the product if it is damaged.

## 6. Maintenance

To ensure reliable operation, Aesculap recommends servicing the product at least once a year.

### Service addresses

In the UK  
KG PRODUCTS  
243-251 City Road, Fenton  
Stoke-on-Trent, Staffs  
ST4 2PX  
United Kingdom,  
Phone (44) - 01782 844 866

DIAMOND EDGE  
126 Gloucester Rd.  
Brighton, BN1 4BU.  
United Kingdom  
Phone (44) - 01273 605 922

Or in the US  
A & J Sales and Service  
42 - A Frame Drive  
West Burke, VT 05871  
USA  
Phone: (800) 447-1957

Or in Germany  
Albert Kerbl GmbH  
Felizenzell 9  
84428 Buchbach / Germany  
Phone: +49 (0) 8086 933-100  
Fax: +49 (0) 8086 933-500  
E-Mail: [info@kerbl.com](mailto:info@kerbl.com)  
[www.kerbl.com](http://www.kerbl.com)

Other service addresses can be obtained from the address indicated above.

Battery-powered clipping machine FAV5 CL/FORTIS

7. Troubleshooting list

7.1 Battery-powered clipping machine FAV5 CL/FORTIS

Malfunction	Detection	Cause	Remedy
Battery-powered clipping machine FAV5 CL/FORTIS does not start	Check switch position	Li-ion battery not loaded	Load Li-ion battery
	-	Li-ion battery defect	Insert new Li-ion battery
	-	Li-ion battery not inserted	Insert new Li-ion battery
Battery-powered clipping machine FAV5 CL/FORTIS has come to a stop	-	Li-ion battery deactivated through protective circuit	Deactivate and reactivate the control unit
	-	Li-ion battery is empty	Insert new Li-ion battery
Battery-powered clipping machine FAV5 CL/FORTIS does not load into the charging station	LED indicators do not light up	-	see Chapter Charger and Li-ion battery

## 7.2 Charger and Li-ion battery

Malfunction	Detection	Cause	Remedy
Charger not working	LED indicators do not light up	Mains power cord not plugged in	Plug mains power cord into the device socket on the charger and into the socket of the mains power supply.
	Li-ion battery not loaded	Mains power cord defect	Replace mains power cord
		Charger defect	Send product to manufacturer for repair
Li-ion battery cannot be loaded	Li-ion battery in place, charge state indicator does not light up	Charger contacts dirty or damaged	Clean contacts in the charging bay, see Chapter Cleaning/disinfection or send to manufacturer for repair
		Li-ion battery defect	Send Li-ion battery to manufacturer for repair
		Charger defect	Send charger to manufacturer for repair
		Excess temperature is detected in the Li-ion battery during charging	Remove Li-ion battery from charging bay, leave to cool and start the charging process again. If the problem occurs again, send battery to manufacturer for repair
		Charging fault or Li-ion battery defect	Remove Li-ion battery from charging bay and repeat charging process, if necessary in another charging bay. If the problem occurs again send Li-ion battery to manufacturer for repair

## Battery-powered clipping machine FAV5 CL/FORTIS

### 8. Technical Service

Modifications carried out on medical technical equipment may result in loss of guarantee/warranty rights and forfeiture of applicable licenses.

#### Service addresses

In the UK

KG PRODUCTS

243-251 City Road, Fenton

Stoke-on-Trent, Staffs

ST4 2PX

United Kingdom,

Phone (44) - 01782 844 866

DIAMOND EDGE

126 Gloucester Rd.

Brighton, BN1 4BU.

United Kingdom

Phone (44) - 01273 605 922

Or in the US

A & J Sales and Service

42 - A Frame Drive

West Burke, VT 05871

USA

Phone: (800) 447-1957

Or in Germany

Albert Kerbl GmbH

Felizenzell 9

84428 Buchbach / Germany

Phone: +49 (0) 8086 933-100

Fax: +49 (0) 8086 933-500

E-Mail: [info@kerbl.com](mailto:info@kerbl.com)

[www.kerbl.com](http://www.kerbl.com)

Other service addresses can be obtained from the address indicated above.



## 9. Accessories/Spare parts

Art. no.	Design	Power cord	Li-ion battery	Charging station	Battery-powered clipping machine	Accessories
GT306/ GT380	Europe outside of Great Britain	<b>TA012170</b> <b>Europe-flat</b> <b>plug, black,</b> <b>L=1.8 m</b>	GT201	GT200880	GT300/GT380 unpacked	GT604800 Hand oiler
GT306G/ GT380G	Great Britain	<b>TA012169</b> <b>GB plug, black,</b> <b>L=1.8 m</b>	GT201	GT200880	GT300/GT380 unpacked	GT604800 Hand oiler
GT306J/ GT380J	Japan, Mexico 110-125 V	<b>TA012168</b> <b>2-pin connector</b> <b>plug, black,</b> <b>L=1.8 m</b>	GT201	GT200880	GT300/GT380 unpacked	GT604800 Hand oiler
GT306K/ GT380K	USA	<b>TA012168</b> <b>2-pin connector</b> <b>plug, black,</b> <b>L=1.8 m</b>	GT201	GT200880	GT300/GT380 unpacked	GT604800 Hand oiler

Battery-powered clipping machine FAV5 CL/FORTIS

10. Technical data

10.1 Battery-powered clipping machine FAV5 CL/FORTIS

Model	GT300/GT380
Stroke frequency	2 300/min
Charging voltage/Output voltage	max. 8.4 V
Charging current/Output current	max. 1.2 A
Weight (without blade and battery)	385 g
Weight (with blade and battery)	450 g
EN 60335-1, EN 60335-2-29	


10.2 Charger

Model	GT203
Mains voltage ranges (Current intake)	100-240 V
Frequency	50-60 Hz
Charging voltage/Output voltage	max. 8.4 V
Charging current/Output current	max. 1.2 A
Weight	495 g
Quality marks	CE, UL

10.3 Li-ion battery

Model	GT201
Cell type	Li
DC voltage	7.4 V
Capacity	approx.1.2 Ah
Charging time	50 min ±5 min


10.4 Declaration of conformity

	<p>We declare under our sole responsibility that this product complies with the following standards and regulatory documents:</p> <p>2004/108/EC EMC guidelines:          DIN EN 60335-1          DIN EN 60335-2-8</p> <p>Safety of household and similar electrical appliances          - general requirements          - for hair clipping machines</p> <p>Aesculap Suhl GmbH</p>
---	---

11. Disposal

Electrical tools, accessories and packaging should be sent for environmentally responsible recycling.

11.1 For EU countries only

	<p>Do not dispose of electrical tools in domestic waste!</p> <p>According to European Directive 2012/19/EU on old electrical and electronic appliances and its implementation in national law, electrical tools that are no longer suitable for use must be separately collected and sent for environmentally responsible recycling.</p>
--	--

11.2 Li-ion batteries

Do not dispose of batteries in domestic waste, fire or water. Defective or used batteries must be collected, recycled or disposed of in an environmentally-friendly way according to Directive 2006/66/EG.

## 12. Two year guarantee

Dear Customer,

Thank you for choosing a product from our company.

For decades, the name Aesculap has stood for proven quality and first-class service. We are known to provide innovative, high-performance products for our customers. Aesculap manufactures high-quality devices, using high-quality materials and careful manufacturing processes. We would like to point out to you that we are not liable for defects in our products, if these are caused by improper use, normal wear or are caused by the product being improperly used or if inappropriate or not properly functioning third-party products are used.

Parts that are typically subject to wear, and for which we are therefore not liable, are the battery and clipper head. Defects that do not affect or only negligibly affect the value or function of the product are also excluded from our warranty.

If we are liable under our warranty, we reserve the right to repair or replace the product.

## 13. Distributor in the US/Contact in Canada for product information and complaints

Aesculap Inc.  
3773 Corporate Parkway  
Center Valley, PA 18034  
USA

### Service addresses

A & J Sales and Service  
42 - A Frame Drive  
West Burke, VT 05871  
USA

Phone: (800) 447-1957



Or in Germany  
Albert Kerbl GmbH  
Felizenzell 9  
84428 Buchbach / Germany  
Phone: +49 (0) 8086 933-100  
Fax: +49 (0) 8086 933-500  
E-Mail: [info@kerbl.com](mailto:info@kerbl.com)  
[www.kerbl.com](http://www.kerbl.com)

**Akku-Schermaschine FAV5 CL/FORTIS**

**Legende**

- 1 Scherkopfhalter
- 2 Akku-Schermaschine FAV5 CL/FORTIS
- 3 Akku-Entriegelung
- 4 Ladegerät
- 5 Netzanschlussleitung (mit Gerätestecker)
- 6 Ladeschacht (für Li-Ionen-Akku)
- 7 Ladezustandsanzeige (für Li-Ionen-Akku)
- 8 Li-Ionen-Akku
- 9 Ladezustandsanzeige (für Akku-Schermaschine FAV5 CL/FORTIS)
- 10 Ladeschacht (für Akku-Schermaschine FAV5 CL/FORTIS)
- 11 Ein-/Ausschalter
- 12 Scherkopf

**Symbole am Produkt**

	<p>Gebrauchsanweisung einhalten</p>
	<p>Kennzeichnung von Elektro- und Elektronikgeräten entsprechend Richtlinie 2012/19/EU (WEEE), siehe Kapitel Entsorgung</p>

**Inhaltsverzeichnis**

- 1. Sichere Handhabung ..... 19
- 2. Gerätebeschreibung ..... 19
  - 2.1 Lieferumfang ..... 19
  - 2.2 Zum Betrieb erforderliche Komponenten ..... 20
  - 2.3 Verwendungszweck Akku-Schermaschine FAV5 CL/FORTIS ..... 20
  - 2.4 Verwendungszweck Ladegerät GT203/ Li-Ionen-Akku GT201 ..... 20
- 2.5 Funktionsweise Akku-Schermaschine FAV5 CL/FORTIS ..... 20
- 2.6 Funktionsweise Ladegerät GT203/Li-Ionen-Akku GT201 ..... 20
  - 2.6.1 Ladeprozess..... 20
  - 2.6.2 Ladezeit..... 20
- 3. Vorbereiten und Aufstellen ..... 21
- 4. Arbeiten mit der Akku-Schermaschine FAV5 CL/FORTIS, dem Ladegerät GT203/ Li-Ionen-Akku GT201 ..... 21
  - 4.1 Bereitstellen ..... 21
    - 4.1.1 Zubehör anschließen..... 21
    - 4.1.2 Scherkopf aufstecken..... 22
    - 4.1.3 Ladegerät anschließen/Li-Ionen-Akku laden... 22
  - 4.2 Funktionsprüfung Akku-Schermaschine FAV5 CL/FORTIS ..... 23
  - 4.3 Funktionsprüfung Ladegerät ..... 24
  - 4.4 Handhabung Scherkopf ..... 24
    - 4.4.1 Schneidplatte schleifen..... 24
    - 4.4.2 Scherkopf austauschen ..... 24
    - 4.4.3 Scherkopf ölen..... 25
    - 4.4.4 Li-Ionen-Akku austauschen ..... 25
  - 5. Aufbereitung ..... 26
    - 5.1 Reinigung/Desinfektion ..... 26
    - 5.2 Kontrolle, Pflege und Prüfung ..... 27
  - 6. Wartung ..... 27
  - 7. Fehler erkennen und beheben ..... 28
    - 7.1 Akku-Schermaschine FAV5 CL/FORTIS ..... 28
    - 7.2 Ladegerät und Li-Ionen-Akku ..... 28
  - 8. Technischer Service ..... 30
  - 9. Zubehör/Ersatzteile ..... 31
  - 10. Technische Daten ..... 32
    - 10.1 Akku-Schermaschine FAV5 CL/FORTIS ..... 32
    - 10.2 Ladegerät ..... 32

10.3	Li-Ionen-Akku .....	32
10.4	Konformitätserklärung .....	32
11.	Entsorgung .....	33
11.1	Nur für EU-Länder .....	33
11.2	Li-Ionen-Akkus .....	33
12.	2 Jahre Gewährleistung .....	33

## 1. Sichere Handhabung



### Lebensgefahr durch elektrischen Stromschlag!

- **Produkt nicht öffnen (hiervon ausgenommen ist der Akku-Wechsel).**
- **Produkt nur an ein Versorgungsnetz mit Schutzleiter anschließen.**
- Vor der Anwendung des Produkts Funktionsfähigkeit und ordnungsgemäßen Zustand prüfen.
- Ladegerät und Li-Ionen-Akkus bei Raumtemperatur aufbewahren.
- Ladegerät und Li-Ionen-Akkus trocken halten.
- Vor dem ersten Einsatz Li-Ionen-Akkus aufladen.
- „Hinweise zur elektromagnetischen Verträglichkeit (EMV)“ beachten.
- Um Schäden durch unsachgemäßen Aufbau oder Betrieb zu vermeiden und die Gewährleistung und Haftung nicht zu gefährden:
  - Produkt nur gemäß dieser Gebrauchsanweisung verwenden.
  - Sicherheitsinformationen und Instandhaltungshinweise einhalten.
  - Zubehör, das nicht in der Gebrauchsanweisung erwähnt wird, nur mit Zustimmung des Herstellers verwenden.
- Produkt und Zubehör nur von Personen betreiben und anwenden lassen, die die erforderliche Ausbildung, Kenntnis oder Erfahrung haben.

- Gebrauchsanweisung für den Anwender zugänglich aufbewahren.
- Gültige Normen einhalten.
- Sicherstellen, dass die elektrische Installation des Raums den IEC-Anforderungen entspricht.
- Netzverbindungen durch Ziehen am Gerätestecker lösen, nie durch Ziehen am Kabel.
- Produkt nicht in explosionsgefährdeten Bereichen einsetzen.
- Kein beschädigtes oder defektes Produkt verwenden. Beschädigtes Produkt sofort aussortieren.

### Hinweis

Das Gerät kann von Kindern ab 8 Jahren und darüber sowie von Personen mit verringerten physischen, sensorischen oder mentalen Fähigkeiten oder Mangel an Erfahrung und Wissen benutzt werden, wenn Sie beaufsichtigt oder bezüglich des sicheren Gebrauchs des Gerätes unterwiesen wurden und die daraus resultierenden Gefahren verstehen.

- Kinder nicht mit dem Gerät spielen lassen.
- Reinigung und Wartung des Geräts nicht von Kindern ohne Beaufsichtigung durchführen lassen.

## 2. Gerätebeschreibung

### 2.1 Lieferumfang

Bezeichnung	Art.-Nr.
Akku-Schermaschine FAV5 CL/FORTIS	GT300/GT380
Li-Ionen-Akku	GT201
Ladegerät	GT203
Netzanschlussleitung (mit Gerätestecker)	siehe Kapitel Zubehör/Ersatzteile
Gebrauchsanweisung	TA013440

## Akku-Schermaschine FAV5 CL/FORTIS

### Hinweis

Der Scherkopf GT330 #10 (USA+GB) der Akku-Schermaschine FAV5 CL/FORTIS ist im Lieferumfang enthalten. Je nach Anwendung können verschiedene Scherköpfe eingesetzt werden!

### 2.2 Zum Betrieb erforderliche Komponenten

- Akku-Schermaschine FAV5 CL/FORTIS
- Scherkopf
- Ladegerät
- Netzanschlussleitung (mit Gerätestecker)
- Li-Ionen-Akku

### 2.3 Verwendungszweck Akku-Schermaschine FAV5 CL/FORTIS

#### Hinweis

Das Gerät ist nur zum Schneiden von Tierhaaren vorgesehen.

Die Akku-Schermaschine FAV5 CL/FORTIS wird zum Scheren von Kleintieren verwendet.

Die Akku-Schermaschine FAV5 CL/FORTIS muss je nach Anwendung mit einem Scherkopf eingesetzt werden.

### 2.4 Verwendungszweck Ladegerät GT203/Li-Ionen-Akku GT201

Das Ladegerät GT203 wird zum Laden der Akku-Schermaschine FAV5 CL/FORTIS und dem Li-Ionen-Akku eingesetzt. Für beide Komponenten gibt es je einen Ladeschacht.

### 2.5 Funktionsweise Akku-Schermaschine FAV5 CL/FORTIS

Die Akku-Schermaschine FAV5 CL/FORTIS wird mit dem Ein-/Ausschalter nach oben eingeschaltet und nach unten ausgeschaltet.

### 2.6 Funktionsweise Ladegerät GT203/Li-Ionen-Akku GT201

Das Ladegerät GT203 ist für einen Netzspannungsbereich von 100 V bis 240 V und von 50 Hz bis 60 Hz konzipiert.

Zur Herstellung der Betriebsbereitschaft wird das Ladegerät GT203 mit dem Netzstecker an das Versorgungsnetz angeschlossen.

Das Ladegerät GT203 verfügt über zwei Ladeschächte. Im ersten Ladeschacht wird die Akku-Schermaschine FAV5 CL/FORTIS geladen und im zweiten der Li-Ionen-Akku.

Die Ladeschächte sind dem jeweiligen Anzeigefeld an der Ladegerätefront zugeordnet.

Mit dem Einstecken eines Li-Ionen-Akkus in die Ladestation startet der Ladevorgang automatisch.

Die Ladezeit in den Ladeschächten hängt vom Ladezustand und der Kapazität der Li-Ionen-Akkus ab.

#### 2.6.1 Ladeprinzip

Die Li-Ionen-Akkus werden mit konstanten Stromimpulsen aufgeladen.

Der Ladezustand des Li-Ionen-Akkus wird während der Aufladung überwacht. Durch die Überwachung der Ladekurve wird eine 100%-Ladung ohne Überladung sichergestellt.

Zusätzlich werden die Akku-Temperatur und die Ladezeit überwacht.

Das Ladegerät überwacht den Akkuzustand mit zwei Ladezustandsanzeigen.

LED-Anzeigen:

- grün = Akku voll
- rot = Akku leer

#### 2.6.2 Ladezeit

Bei Erreichen der maximalen Ladezeit wird der Ladevorgang abgebrochen.

Die Ladezeit beträgt ca. 50 min.

### 3. Vorbereiten und Aufstellen

Wenn die folgenden Vorschriften nicht beachtet werden, übernimmt Aesculap insoweit keinerlei Verantwortung.

- Beim Aufstellen und Betrieb des Produkts einhalten:
  - die nationalen Installations- und Betreiber-Vorschriften,
  - die nationalen Vorschriften über Brand- und Explosionsschutz.
  - Anwendungshinweise gemäß IEC-/VDE-Bestimmungen.



#### **Brand- und Explosionsgefahr!**

- **Produkt nicht in explosionsgefährdeten Bereichen einsetzen.**



#### **Beeinträchtigung der Funktion oder Beschädigung des Produkts durch unsachgemäße Aufstellung!**

- **Produkt keiner direkten Sonneneinstrahlung oder Nässe aussetzen.**
- **Lüftungsschlitze des Produkts nicht abdecken.**
- **Nennspannung zwischen 100 V bis 240 V und einem Netzfrequenzbereich von 50 Hz bis 60 Hz anschließen.**
- **Sicherstellen, dass die Netzsteckdose des Versorgungsnetzes, die zur Spannungsversorgung des Produkts genutzt wird, frei zugänglich ist.**

### 4. Arbeiten mit der Akku-Schermaschine FAV5 CL/ FORTIS, dem Ladegerät GT203/ Li-Ionen-Akku GT201

#### 4.1 Bereitstellen

##### 4.1.1 Zubehör anschließen

Zubehörkombinationen, die nicht in der Gebrauchsanweisung erwähnt sind, dürfen nur verwendet werden, wenn sie ausdrücklich für die vorgesehene Anwendung bestimmt sind. Leistungsmerkmale sowie Sicherheitsanforderungen dürfen nicht nachteilig beeinflusst werden.

## Akku-Schermaschine FAV5 CL/FORTIS

### 4.1.2 Scherkopf aufstecken



**WARNUNG**

Verletzungsgefahr durch scharfe  
Schneidplatten!

- Scherkopf der Schermaschine  
FAV5 CL/FORTIS vorsichtig  
behandeln.

#### Hinweis

Der Scherkopf GT330 #10 (USA+GB) der Schermaschine FAV5 CL/FORTIS ist im Lieferumfang enthalten. Je nach Anwendung können verschiedene Scherköpfe eingesetzt werden!



Abb. 1

- Bei geschlossenem Messerscharnier: Messerscharnier 13 mit Schraubendreher aufklappen, siehe Abb. 1.

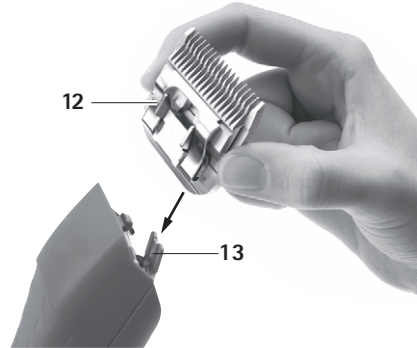


Abb. 2

- Scherkopf 12 auf geöffnetes Messerscharnier 13 stecken, siehe Abb. 2.
- Ein-/Aus-Schalter 11 drücken.
- Scherkopf 12 leicht in Richtung Schermaschine FAV5 CL/FORTIS drücken, siehe Abb. 2. Scherkopf 12 rastet hörbar ein.
- Sicherstellen, dass der Scherkopf 12 korrekt auf der Schermaschine FAV5 CL/FORTIS sitzt.



#### 4.1.3 Ladegerät anschließen/Li-Ionen-Akku laden



**WARNUNG**

**Brandgefahr bei Kurzschluss der Pole durch Flüssigkeiten oder Metallteile!**

- Li-Ionen-Akku nicht kurzschließen.



**WARNUNG**

**Verletzungsgefahr und Sachschäden durch beschädigte Li-Ionen-Akkus!**

- Li-Ionen-Akkus vor dem Laden auf Beschädigungen prüfen.
- Beschädigte Li-Ionen-Akkus nicht verwenden oder aufladen.



**VORSICHT**

**Verlust der Kapazität/Leistungsfähigkeit der entladenen Li-Ionen-Akkus durch längere Lagerung!**

- Li-Ionen-Akku bei längerer Lagerung nur vollgeladen einlagern und einmal pro Monat nachladen.



**VORSICHT**

**Zerstörung von Produkt, Ladeschacht oder Li-Ionen-Akku durch Stecken eines falschen Akkutyps in den Ladeschacht!**

- Li-Ionen-Akkus nur in die dafür vorgesehenen Ladeschächte stecken.
- Li-Ionen-Akkus lagerichtig einstecken.

#### *Hinweis*

*Wenn nicht mit dem Ladegerät gearbeitet wird, muss die Netzanschlussleitung von der Steckdose ausgesteckt werden!*

- Ladegerät **4** anschließen: Gerätestecker der Netzanschlussleitung **5** in Ladegerät **4** stecken.
- Netzstecker der Netzanschlussleitung **5** in Steckdose stecken.
- Li-Ionen-Akku **8** in Ladeschacht **6** des Ladegeräts **4** stellen und aufladen.
  - oder -
- Akku-Schermaschine FAV5 CL/FORTIS **2** in Ladeschacht **10** des Ladegeräts **4** stellen und aufladen.
  - Ladezustandsanzeige **7** oder **9** leuchtet rot auf.
  - Nach dem Ladevorgang leuchtet die Ladezustandsanzeige **7/9** grün auf und die Akku-Schermaschine FAV5 CL/FORTIS **2/der** Li-Ionen-Akku **8** ist betriebsbereit.

#### *Hinweis*

*Vor dem Ladevorgang die Akku-Schermaschine FAV5 CL/FORTIS ausschalten!*

#### *Hinweis*

*Die Li-Ionen-Akkus erwärmen sich leicht beim Ladevorgang.*

## Akku-Schermaschine FAV5 CL/FORTIS

### 4.2 Funktionsprüfung Akku-Schermaschine FAV5 CL/FORTIS

- Sichtprüfung durchführen.
- Schalterstellung prüfen.
- Akku aufstecken, siehe Kapitel Li-Ionen-Akku austauschen.
- Scherkopf korrekt aufstecken und ggf. ölen, siehe Kapitel Handhabung Scherkopf.
- Geladenen Reserve-Li-Ionen-Akku bereithalten.
- Akku-Schermaschine FAV5 CL/FORTIS vor Gebrauch reinigen, siehe Kapitel Reinigung/Desinfektion.

### 4.3 Funktionsprüfung Ladegerät

- Sichtprüfung durchführen.
- Vor dem Anschluss des Produkts an das Versorgungsnetz:
  - Netzanschlussleitung **5** auf mögliche Beschädigung prüfen.
  - Produkt auf mögliche Beschädigungen prüfen (z. B. Kontakte der Ladeschächte auf verbogene Kontakte prüfen).
- Netzanschlussleitung **5** in Gerätestecker an der Ladestation stecken.
- Netzstecker in Steckdose des Versorgungsnetzes stecken.
- Li-Ionen-Akku **8** in Ladeschacht **6** des Ladegeräts **4** stellen und aufladen.
  - oder -
- Akku-Schermaschine FAV5 CL/FORTIS **2** in Ladeschacht **10** des Ladegeräts **4** stellen und aufladen.

Die Ladezustandsanzeige **7** oder **9** leuchtet rot auf. Nach dem Ladevorgang leuchtet die Ladezustandsanzeige **7/9** grün auf und die Akku-Schermaschine FAV5 CL/FORTIS **2/der** Li-Ionen-Akku **8** ist betriebsbereit.

Das Produkt ist betriebsbereit.

## 4.4 Handhabung Scherkopf

### 4.4.1 Schneidplatte schleifen

#### Hinweis

Zum Schleifen der Schneidplatte an den Technischen Service wenden, siehe Kapitel Technischer Service.

### 4.4.2 Scherkopf austauschen



**WARNUNG**

**Verletzungsgefahr durch scharfe Schneidplatten!**

- Scherkopf der Schermaschine FAV5 CL/FORTIS vorsichtig behandeln.

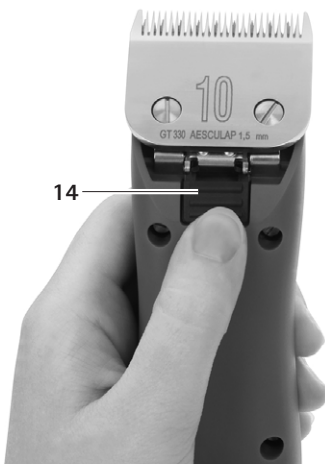


Abb. 3

- Ein-/Aus-Schalter 11 drücken, um Akku-Schermaschine FAV5 CL/FORTIS auszuschalten.
- Scherkopf-Verriegelung 14 drücken, siehe Abb. 3.

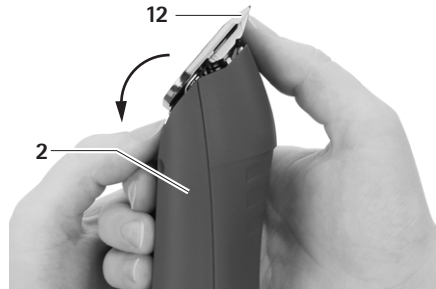


Abb. 4

- Scherkopf 12 nach vorne aufklappen, siehe Abb. 4.
- Scherkopf 12 abnehmen.
- Aufgeklapptes Messerscharnier mit Pinsel reinigen.
- Scherkopf 12 auf Messerscharnier stecken.
- Netzanschlussleitung der Akku-Schermaschine FAV5 CL/FORTIS einstecken.
- Ein-/Aus-Schalter 11 drücken.
- Scherkopf 12 leicht in Richtung Akku-Schermaschine FAV5 CL/FORTIS drücken. Der Scherkopf 12 rastet hörbar ein.
- Sicherstellen, dass der Scherkopf 12 korrekt auf der Akku-Schermaschine FAV5 CL/FORTIS sitzt.

### 4.4.3 Scherkopf ölen

- Mit weichem Lappen oder Pinsel obere und untere Schneidplatte reinigen. Dabei sicherstellen, dass die Lücken zwischen den Zähnen sauber sind.
- Obere und untere Schneidplatte leicht mit Spezialöl für Schneidköpfe GT604 einölen.

## Akku-Schermaschine FAV5 CL/FORTIS

### 4.4.4 Li-Ionen-Akku austauschen

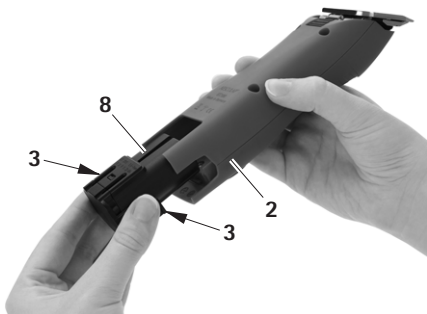


Abb. 5

- Akku-Schermaschine FAV5 CL/FORTIS 2 halten und Akku-Entriegelungen 3 drücken.
- Li-Ionen-Akku 8 aus Akku-Schermaschine FAV5 CL/FORTIS 2 herausziehen.
- Geladenen Li-Ionen-Akku 8 in Akku-Schermaschine FAV5 CL/FORTIS 2 bis zum Anschlag einschieben.  
Die Akku-Schermaschine FAV5 CL/FORTIS 2 ist betriebsbereit.

## 5. Aufbereitung



VORSICHT

Beschädigung oder Zerstörung des Produkts durch maschinelle Reinigung/Desinfektion oder Sterilisation!

- Produkt nur manuell reinigen/ desinfizieren.
- Produkt niemals sterilisieren.

### 5.1 Reinigung/Desinfektion

*Hinweis*

*Entsorgungs- und Hygienevorschriften einhalten!*

#### Manuelle Reinigung/Desinfektion



GEFAHR

**Stromschlag- und Brandgefahr!**

- Vor der Reinigung Netzstecker ziehen.
- Sicherstellen, dass keine Flüssigkeit in das Produkt eindringt.
- Nach der Reinigung/Desinfektion mindestens 1 Minute ablüften lassen.



**VORSICHT**

**Schäden am Produkt durch falsche Reinigung oder falsches Reinigungs-/Desinfektionsmittel!**

- **Für die Flächenreinigung handelsübliches Mittel verwenden.**
  - **Produkt nie in Wasser oder Reinigungsmittel legen.**
  - **Keine Flüssigkeit in die Ladeschächte einbringen.**
  - **Kontakte in den Ladeschächten mit größter Sorgfalt reinigen.**
- Gehäuse des Produkts mit einem flusenfreien Tuch, das mit einem handelsüblichen Mittel zur Wischdesinfektion befeuchtet ist, abwischen.
  - Bei Bedarf Rückstände des Reinigungs- und Desinfektionsmittels nach dessen Einwirkzeit mit einem in sauberem Wasser angefeuchteten, flusenfreien Tuch abwischen.
  - Zum Trocknen sauberes, flusenfreies Tuch verwenden.
  - Kontakte in den Ladeschächten mit Isopropanol bzw. Äthylalkohol und einem Wattestäbchen reinigen. Keine korrosionsfördernden Chemikalien verwenden.
  - Falls nötig, Reinigung/Desinfektion wiederholen.

## 5.2 Kontrolle, Pflege und Prüfung

- Produkt auf Raumtemperatur abkühlen lassen.
- Produkt nach jeder Reinigung und Desinfektion prüfen auf: Sauberkeit, Funktion und Beschädigung.
- Scherkopf bei Bedarf ölen, siehe Kapitel Scherkopf ölen.
- Produkt auf Beschädigungen, unregelmäßige Laufgeräusche, übermäßige Erwärmung oder zu starke Vibration prüfen.
- Scherkopf auf abgebrochene, beschädigte und stumpfe Schneiden kontrollieren.
- Beschädigtes Produkt sofort aussortieren.

## 6. Wartung

Um einen zuverlässigen Betrieb zu gewährleisten, empfiehlt Aesculap eine Wartung pro Jahr.

### Service-Adressen

Albert Kerbl GmbH

Felizenzell 9

84428 Buchbach / Germany

Phone: +49 (0) 8086 933-100

Fax: +49 (0) 8086 933-500

E-Mail: [info@kerbl.com](mailto:info@kerbl.com)

[www.kerbl.com](http://www.kerbl.com)

Weitere Service-Adressen erfahren Sie über die oben genannte Adresse.

## Akku-Schermaschine FAV5 CL/FORTIS

### 7. Fehler erkennen und beheben

#### 7.1 Akku-Schermaschine FAV5 CL/FORTIS

Störung	Erkennung	Ursache	Behebung
Akku-Schermaschine FAV5 CL/FORTIS läuft nicht an	Schalter-Stellung prüfen	Li-Ionen-Akku nicht geladen	Li-Ionen-Akku laden
	–	Li-Ionen-Akku defekt	Neuen Li-Ionen-Akku einsetzen
	–	Li-Ionen-Akku nicht eingesetzt	Neuen Li-Ionen-Akku einsetzen
Akku-Schermaschine FAV5 CL/FORTIS bleibt stehen	–	Li-Ionen-Akku durch Schutzschaltung abgeschaltet	Schalter aus- und wieder einschalten
	–	Li-Ionen-Akku ist leer	Neuen Li-Ionen-Akku einsetzen
Akku-Schermaschine FAV5 CL/FORTIS lädt nicht in der Ladestation	LED-Anzeigen leuchten nicht	–	siehe Kapitel Ladegerät und Li-Ionen-Akku

## 7.2 Ladegerät und Li-Ionen-Akku

Störung	Erkennung	Ursache	Behebung
Ladegerät ohne Funktion	LED-Anzeigen leuchten nicht	Netzanschlussleitung nicht eingesteckt	Netzanschlussleitung in Gerätestecker am Ladegerät und in die Steckdose des Versorgungsnetzes stecken
	Li-Ionen-Akku nicht geladen	Netzanschlussleitung defekt	Netzanschlussleitung austauschen
Ladegerät defekt		Produkt beim Hersteller instand setzen lassen	
Li-Ionen-Akku wird nicht geladen	Li-Ionen-Akku gesteckt, Ladezustandsanzeige leuchtet nicht	Kontakte des Ladegeräts verschmutzt oder beschädigt	Kontakte im Ladeschacht reinigen, siehe Kapitel Reinigung/Desinfektion oder beim Hersteller instand setzen lassen
		Li-Ionen-Akku defekt	Li-Ionen-Akku beim Hersteller instand setzen lassen
		Ladegerät defekt	Ladegerät beim Hersteller instand setzen lassen
		Während des Ladevorgangs wird im Li-Ionen-Akku eine Übertemperatur detektiert	Li-Ionen-Akku aus Ladeschacht entnehmen, abkühlen lassen und Ladevorgang neu starten. Bei erneuter Störung Akku beim Hersteller instand setzen lassen
		Ladestörung bzw. Li-Ionen-Akku defekt	Li-Ionen-Akku aus Ladeschacht entnehmen und Ladevorgang wiederholen, ggf. in einem anderen Ladeschacht. Bei erneuter Störung Li-Ionen-Akku beim Hersteller instand setzen lassen

## Akku-Schermaschine FAV5 CL/FORTIS

### 8. Technischer Service

Modifikationen an medizintechnischer Ausrüstung können zu einem Verlust der Garantie-/Gewährleistungsansprüche sowie eventueller Zulassungen führen.

#### Service-Adressen

Albert Kerbl GmbH

Felizenzell 9

84428 Buchbach / Germany

Phone: +49 (0) 8086 933-100

Fax: +49 (0) 8086 933-500

E-Mail: [info@kerbl.com](mailto:info@kerbl.com)

[www.kerbl.com](http://www.kerbl.com)

Weitere Service-Adressen erfahren Sie über die oben genannte Adresse.



## 9. Zubehör/Ersatzteile

Art.-Nr.	Ausführung	Netzkabel	Li-Ionen-Akku	Ladestation	Akku-Schermaschine	Zubehör
GT306/ GT380	Europa außer Groß- britannien	<b>TA012170</b> <b>Europa-Flach-</b> <b>stecker, schwarz,</b> <b>L=1,8 m</b>	GT201	GT200880	GT300/GT380 unverpackt	GT604800 Ölflasche
GT306G/ GT380G	Großbritan- nien	<b>TA012169</b> <b>GB-Stecker,</b> <b>schwarz,</b> <b>L=1,8 m</b>	GT201	GT200880	GT300/GT380 unverpackt	GT604800 Ölflasche
GT306J/ GT380J	Japan, Mexiko 110–125 V	<b>TA012168</b> <b>2-poliger-</b> <b>Gerätestecker,</b> <b>schwarz,</b> <b>L=1,8 m</b>	GT201	GT200880	GT300/GT380 unverpackt	GT604800 Ölflasche
GT306K/ GT380K	USA	<b>TA012168</b> <b>2-poliger-</b> <b>Gerätestecker,</b> <b>schwarz,</b> <b>L=1,8 m</b>	GT201	GT200880	GT300/GT380 unverpackt	GT604800 Ölflasche

Akku-Schermaschine FAV5 CL/FORTIS

10. Technische Daten

10.1 Akku-Schermaschine FAV5 CL/  
FORTIS

Gerätetyp	GT300/GT380
Hubzahl	2 300 1/min
Lade-/Ausgangsspannung	max. 8,4 V
Lade-/Ausgangsstrom	max. 1,2 A
Gewicht (ohne Scherkopf und Akku)	385 g
Gewicht (mit Scherkopf und Akku)	450 g
EN 60335-1, EN 60335-2-29	


10.2 Ladegerät

Gerätetyp	GT203
Netzspannungsbereiche (Stromaufnahme)	100–240 V
Frequenz	50–60 Hz
Lade-/Ausgangsspannung	max. 8,4 V
Lade-/Ausgangsstrom	max. 1,2 A
Gewicht	495 g
Prüfzeichen	CE, UL

10.3 Li-Ionen-Akku

Gerätetyp	GT201
Zellentyp	Li
Gleichspannung	7,4 V
Kapazität	ca. 1,2 Ah
Ladezeit	50 min ±5 min

10.4 Konformitätserklärung

	<p>Wir erklären in alleiniger Verantwortung, dass dieses Produkt mit den folgenden Normen oder normativen Dokumenten übereinstimmt:</p> <p>2004/108/EG EMV-Richtlinie: DIN EN 60335-1 DIN EN 60335-2-8</p> <p>Sicherheit elektrischer Geräte für den Hausgebrauch und ähnliche Zwecke</p> <ul style="list-style-type: none"> <li>- allgemeine Anforderungen</li> <li>- für Haarschneidemaschinen</li> </ul> <p>Aesculap Suhl GmbH</p>
---	---

## 11. Entsorgung

Elektrowerkzeuge, Zubehör und Verpackung sollen einer umweltgerechten Wiederverwertung zugeführt werden.

### 11.1 Nur für EU-Länder



Werfen Sie Elektrowerkzeuge nicht in den Hausmüll!

Gemäß der Europäischen Richtlinie 2012/19/EU über Elektro- und Elektronik-Altgeräte und ihrer Umsetzung in nationales Recht müssen nicht mehr gebrauchsfähige Elektrowerkzeuge getrennt gesammelt und einer umweltgerechten Wiederverwertung zugeführt werden.

### 11.2 Li-Ionen-Akkus

Akkus nicht in den Hausmüll, ins Feuer oder Wasser werfen. Defekte oder verbrauchte Akkus müssen gemäß der Richtlinie 2006/66/EG gesammelt, recycelt oder auf umweltfreundliche Weise entsorgt werden.

## 12. 2 Jahre Gewährleistung

Sehr geehrte Kundin, sehr geehrter Kunde, herzlichen Dank, dass Sie sich für ein Produkt aus unserem Hause entschieden haben.

Der Name Aesculap steht seit Jahrzehnten für geprüfte Qualität und erstklassigen Service. Unseren Kunden bieten wir innovative und leistungsfähige Produkte. Aesculap stellt hochwertige Geräte her und sichert Ihnen die Verwendung hochwertigen Materials und sorgfältiger Herstellung zu. Gerne möchten wir Sie darauf hinweisen, dass wir für Sachmängel unserer Produkte nicht haften, wenn diese durch unsachgemäßen Gebrauch, normalen Verschleiß oder dadurch entstehen, dass das Produkt unsachgemäß verwendet wird oder nicht passende oder nicht einwandfrei funktionierende Fremdprodukte eingesetzt werden.

Teile, die typischerweise dem Verschleiß unterliegen, und für die wir deshalb nicht haften, sind der Akku und der Scherkopf. Ebenfalls ausgenommen sind Sachmängel, die den Wert oder die Funktion nicht oder nur unerheblich beeinflussen.



Sollten wir im Rahmen unserer Gewährleistung haften, behalten wir uns vor, das Produkt zu reparieren oder auszutauschen.

## Tondeuse à accu FAV5 CL/FORTIS

### Légende

- 1 Support de tête de tonte
- 2 Tondeuse à accu FAV5 CL/FORTIS
- 3 Déverrouillage de l'accu
- 4 Chargeur
- 5 Câble d'alimentation électrique (avec fiche côté appareil)
- 6 Compartiment de recharge (pour accu Li-ion)
- 7 Indicateur d'état de charge (pour accu Li-ion)
- 8 Accu Li-ion
- 9 Indicateur d'état de charge (pour tondeuse à accu FAV5 CL/FORTIS)
- 10 Compartiment de recharge (pour tondeuse à accu FAV5 CL/FORTIS)
- 11 Interrupteur Marche/Arrêt
- 12 Tête de tonte

### Symboles sur le produit

	Respecter le mode d'emploi
	Marquage des appareils électriques et électroniques conformément à la directive 2012/19/EU (DEEE), voir Chapitre Elimination

### Sommaire

1. Manipulation sûre .....35
2. Description de l'appareil .....35
  - 2.1 Etendue de la livraison .....35
  - 2.2 Composants nécessaires à l'utilisation .....36
  - 2.3 Champ d'application de la tondeuse à accu FAV5 CL/FORTIS .....36
  - 2.4 Champ d'application du chargeur GT203 et de l'accu Li-ion GT201 .....36
  - 2.5 Mode de fonctionnement de la tondeuse à accu FAV5 CL/FORTIS .....36
  - 2.6 Mode de fonctionnement du chargeur GT203 et de l'accu Li-ion GT201 .....36
    - 2.6.1 Principe de chargement ..... 36
    - 2.6.2 Durée de recharge..... 36
3. Préparation et installation .....37
4. Utilisation de la tondeuse à accu FAV5 CL/FORTIS, du chargeur GT203 et de l'accu Li-ion GT201 .....37
  - 4.1 Préparation .....37
    - 4.1.1 Raccordement des accessoires..... 37
    - 4.1.2 Montage de la tête de tonte..... 38
      - 4.1.3 Branchement du chargeur et recharge de l'accu Li-ion..... 38
  - 4.2 Contrôle du fonctionnement de la tondeuse à accu FAV5 CL/FORTIS .....39
  - 4.3 Contrôle du fonctionnement du chargeur .....40
  - 4.4 Manipulation de la tête de tonte .....40
    - 4.4.1 Affûtage de la plaque de coupe..... 40
      - 4.4.2 Remplacement de la tête de tonte ..... 40
      - 4.4.3 Huilage de la tête de tonte ..... 41
      - 4.4.4 Remplacement de l'accu Li-ion ..... 41
5. Traitement stérile .....42
  - 5.1 Nettoyage/décontamination .....42
  - 5.2 Vérification, entretien et contrôle .....43
6. Maintenance .....43
7. Identification et élimination des pannes .....44
  - 7.1 Tondeuse à accu FAV5 CL/FORTIS .....44
  - 7.2 Chargeur et accu Li-ion .....45
8. Service Technique .....46
9. Accessoires/pièces de recharge .....47
10. Caractéristiques techniques .....48
  - 10.1 Tondeuse à accu FAV5 CL/FORTIS .....48
  - 10.2 Chargeur .....48
  - 10.3 Accu Li-ion .....48
  - 10.4 Déclaration de conformité .....48
11. Elimination .....48
  - 11.1 Uniquement pour les pays de l'UE .....49
- 11.2 Accus Li-ion .....49
12. 2 ans de garantie .....49

# 1. Manipulation sûre



## Danger de mort par électrocution!

- Ne pas ouvrir le produit (sauf pour le remplacement de l'accum).
  - Ne raccorder le produit qu'à un réseau d'alimentation avec fil de protection.
- Vérifier le bon fonctionnement et le bon état du produit avant de l'utiliser.
- Conserver le chargeur et les accus Li-ion à température ambiante.
- Maintenir le chargeur et les accus Li-ion au sec.
- Charger les accus Li-ion avant la première utilisation.
- Respecter les "Consignes relatives à la compatibilité électromagnétique (CEM)".
- Pour éviter les dommages provoqués par un montage ou une utilisation incorrects et ne pas remettre en cause les droits à prestations de garantie et la responsabilité:
  - N'utiliser ce produit que conformément au présent mode d'emploi.
  - Respecter les informations sur la sécurité et les consignes de maintenance.
  - N'utiliser les accessoires non mentionnés dans le mode d'emploi qu'avec l'accord du fabricant.
- Confier le fonctionnement et l'utilisation du produit et des accessoires uniquement à des personnes disposant de la formation, des connaissances ou de l'expérience requises.
- Le mode d'emploi doit être conservé en un lieu accessible à l'utilisateur.
- Respecter les normes en vigueur.
- Veiller à ce que l'installation électrique du local soit conforme aux prescriptions CEI.
- Toujours débrancher les connexions au réseau en tirant sur la fiche côté appareil et jamais en tirant sur le câble.

- Ne pas utiliser le produit dans des zones à risque d'explosion.
- Ne jamais utiliser un produit endommagé ou défectueux. Mettre immédiatement au rebut tout produit endommagé.

### Remarque

*L'appareil peut être utilisé par des enfants à partir de 8 ans ainsi que par des personnes ayant des capacités physiques, sensorielles ou mentales réduites ou ne disposant pas de l'expérience et des connaissances nécessaires s'ils sont surveillés ou s'ils ont reçu des instructions concernant l'utilisation en sécurité de l'appareil et qu'ils comprennent les dangers qui en résultent.*

- Ne pas laisser les enfants jouer avec l'appareil.
- Ne pas laisser des enfants sans surveillance effectuer le nettoyage et l'entretien de l'appareil.

# 2. Description de l'appareil

## 2.1 Etendue de la livraison

Désignation	Art. n°
Tondeuse à accum FAV5 CL/FORTIS	GT300/GT380
Accu Li-ion	GT201
Chargeur	GT203
Câble d'alimentation électrique (avec fiche côté appareil)	voir Chapitre Accessoires/ pièces de rechange
Mode d'emploi	TA013440

### Remarque

*La tête de tonte GT330 #10 (USA+GB) de la tondeuse à accum FAV5 CL/FORTIS fait partie des éléments livrés. Selon l'application, différentes têtes de tonte peuvent être utilisées!*

## Tondeuse à accu FAV5 CL/FORTIS

### 2.2 Composants nécessaires à l'utilisation

- Tondeuse à accu FAV5 CL/FORTIS
- Tête de tonte
- Chargeur
- Câble d'alimentation électrique (avec fiche côté appareil)
- Accu Li-ion

### 2.3 Champ d'application de la tondeuse à accu FAV5 CL/FORTIS

#### Remarque

*L'appareil est uniquement prévu pour tondre du pelage animal.*

La tondeuse à accu FAV5 CL/FORTIS s'utilise pour tondre de petits animaux.

La tondeuse à accu FAV5 CL/FORTIS doit être utilisée avec une tête de tonte choisie en fonction de l'application.

### 2.4 Champ d'application du chargeur GT203 et de l'accu Li-ion GT201

Le chargeur GT203 est utilisé pour charger la tondeuse à accu FAV5 CL/FORTIS et l'accu Li-ion. Il possède un compartiment de recharge pour chacun des composants.

### 2.5 Mode de fonctionnement de la tondeuse à accu FAV5 CL/FORTIS

La tondeuse à accu FAV5 CL/FORTIS se met en marche en poussant l'interrupteur Marche/Arrêt vers le haut et s'arrête en poussant l'interrupteur vers le bas.

### 2.6 Mode de fonctionnement du chargeur GT203 et de l'accu Li-ion GT201

Le chargeur GT203 est conçu pour une plage de tension de réseau de 100 à 240 V et de 50 à 60 Hz.

Pour être prêt à fonctionner, le chargeur GT203 doit être raccordé au réseau électrique par la fiche secteur. Le chargeur GT203 possède deux compartiments de recharge. Le premier compartiment sert à recharger la tondeuse à accu FAV5 CL/FORTIS et le second l'accu Li-ion.

Les compartiments de recharge sont reliés à la zone d'affichage correspondante sur la face avant de l'appareil.

Le processus de recharge démarre automatiquement lorsqu'un accu Li-ion est placé dans la station de recharge.

La durée de recharge dans les compartiments de recharge dépend de l'état de charge et de la capacité des accus Li-ion.

#### 2.6.1 Principe de chargement

Les accus Li-ion sont rechargés par des impulsions électriques constantes.

L'état de charge de l'accu Li-ion est surveillé pendant la recharge. La surveillance de la courbe de recharge garantit une recharge à 100 % sans surcharge.

La température de l'accu et la durée de recharge sont également contrôlées.

Le chargeur permet de surveiller l'état de l'accu au moyen de deux indicateurs d'état de charge.

Indicateurs à DEL:

- vert = accu plein
- rouge = accu vide

#### 2.6.2 Durée de recharge

Le processus de recharge est interrompu une fois que la durée de recharge maximale a été atteinte.

La durée de charge est d'environ 50 min.

### 3. Préparation et installation

Aesculap n'assume aucune responsabilité lorsque les obligations suivantes ne sont pas respectées.

- Pour installer et faire fonctionner le produit, observer:
  - les directives nationales relatives à l'installation et à l'exploitation,
  - les réglementations nationales relatives à la protection contre les incendies et les explosions.
  - Consignes d'utilisation conformément aux dispositions des normes CEI/VDE.



DANGER

#### Risque d'incendie et d'explosion!

- Ne pas utiliser le produit dans des zones à risque d'explosion.



ATTENTION

#### Risque de perturbation du fonctionnement ou d'endommagement du produit en cas d'installation impropre!

- Ne pas soumettre le produit au rayonnement direct du soleil ou à l'humidité.
- Ne pas recouvrir les fentes d'aération du produit.
- Brancher l'appareil sur une tension de réseau de 100 à 240 V avec une plage de fréquence réseau de 50 à 60 Hz.
- S'assurer que la prise secteur utilisée pour l'alimentation électrique du produit est librement accessible.

### 4. Utilisation de la tondeuse à accu FAV5 CL/FORTIS, du chargeur GT203 et de l'accu Li-ion GT201

#### 4.1 Préparation

##### 4.1.1 Raccordement des accessoires

Les combinaisons d'accessoires non mentionnées dans le mode d'emploi ne peuvent être utilisées que si elles sont expressément prévues pour l'application projetée. Ceci ne doit pas porter préjudice aux caractéristiques de puissance ni aux exigences de sécurité.

## Tondeuse à accu FAV5 CL/FORTIS

### 4.1.2 Montage de la tête de tonte



AVERTISSEMENT

**Risque de blessure par des plaques de coupe acérées!**

➤ Manipuler avec précautions la tête de tonte de la tondeuse FAV5 CL/FORTIS.

#### Remarque

La tête de tonte GT330 #10 (USA+GB) de la tondeuse FAV5 CL/FORTIS fait partie des éléments livrés. Selon l'application, différentes têtes de tonte peuvent être utilisées!



Fig. 1

➤ La charnière de lame étant fermée: déployer la charnière de lame 13 avec un tournevis, voir Fig. 1.

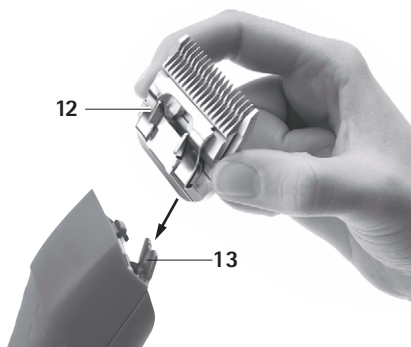


Fig. 2

- Ficher la tête de tonte 12 sur la charnière de lame ouverte 13, voir Fig. 2.
- Appuyer sur l'interrupteur Marche/Arrêt 11.
- Presser légèrement la tête de tonte 12 en direction de la tondeuse FAV5 CL/FORTIS, voir Fig. 2. La tête de tonte 12 s'encliquète de façon audible.
- Vérifier que la tête de tonte 12 est correctement placée sur la tondeuse FAV5 CL/FORTIS.

### 4.1.3 Branchement du chargeur et recharge de l'accu Li-ion



AVERTISSEMENT

**Risque d'incendie en cas de court-circuit des pôles provoqué par un liquide ou des pièces métalliques!**

➤ Ne pas court-circuiter l'accu Li-ion.



AVERTISSEMENT

**Risque de blessure et de dégâts matériels avec des accus Li-ion endommagés!**

➤ Vérifier que les accus Li-ion sont intacts avant de les recharger.

➤ Ne pas utiliser ni recharger des accus Li-ion endommagés.



ATTENTION

**Risque de perte de capacité ou de performance des accus Li-ion déchargés du fait d'un stockage prolongé!**

➤ Ne stocker les accus Li-ion pendant une période prolongée qu'entièrement rechargés et les recharger une fois par mois.





ATTENTION

Risque de détérioration irrémédiable du produit, du compartiment de recharge ou de l'accum Li-ion en cas d'insertion d'un type d'accum inadapté dans le compartiment de recharge!

- N'insérer les accum Li-ion que dans les compartiments de recharge prévus à cet effet.
- Insérer les accum Li-ion dans la bonne position.

*Remarque*

Avant le processus de recharge, éteindre la tondeuse à accum FAV5 CL/FORTIS!

*Remarque*

Les accum Li-ion chauffent légèrement pendant le processus de recharge.

*Remarque*

Lorsque le chargeur n'est pas utilisé, le câble d'alimentation électrique doit être débranché!

- Brancher le chargeur **4**: enfoncer la fiche côté appareil du câble d'alimentation électrique **5** dans le chargeur **4**.
- Enfoncer la fiche secteur du câble d'alimentation électrique **5** dans la prise secteur.
- Placer l'accum Li-ion **8** dans le compartiment de recharge **6** du chargeur **4** et le recharger.  
- ou -
- Placer la tondeuse à accum FAV5 CL/FORTIS **2** dans le compartiment de recharge **10** du chargeur **4** et la recharger.

L'indicateur d'état de charge **7** ou **9** s'allume en rouge.

Après le processus de charge, l'indicateur d'état de charge **7/9** s'allume en vert et la tondeuse à accum FAV5 CL/FORTIS **2** ou l'accum Li-ion **8** sont prêts à fonctionner.

## 4.2 Contrôle du fonctionnement de la tondeuse à accum FAV5 CL/FORTIS

- Effectuer un contrôle visuel.
- Contrôler la position de l'interrupteur.
- Mettre l'accum en place, voir Chapitre Remplacement de l'accum Li-ion.
- Placer correctement la tête de tonte et la huiler si nécessaire, voir Chapitre Manipulation de la tête de tonte.
- Tenir en réserve un accum Li-ion chargé.
- Nettoyer la tondeuse à accum FAV5 CL/FORTIS avant utilisation, voir Chapitre Nettoyage/décontamination.

## Tondeuse à accu FAV5 CL/FORTIS

### 4.3 Contrôle du fonctionnement du chargeur

- Effectuer un contrôle visuel.
- Avant de brancher le produit au réseau d'alimentation électrique:
  - Contrôler l'absence d'éventuelles détériorations sur le câble d'alimentation électrique 5.
  - Contrôler l'absence d'éventuelles détériorations du produit (p. ex. contacts tordus dans les compartiments de recharge).
- Ficher le câble d'alimentation électrique 5 dans la prise de la station de recharge.
- Brancher la fiche secteur dans la prise du réseau d'alimentation électrique.
- Placer l'accu Li-ion 8 dans le compartiment de recharge 6 du chargeur 4 et le recharger.
  - ou -
- Placer la tondeuse à accu FAV5 CL/FORTIS 2 dans le compartiment de recharge 10 du chargeur 4 et la recharger.

L'indicateur d'état de charge 7 ou 9 s'allume en rouge.

Après le processus de charge, l'indicateur d'état de charge 7/9 s'allume en vert et la tondeuse à accu FAV5 CL/FORTIS 2 ou l'accu Li-ion 8 sont prêts à fonctionner.

Le produit est prêt à fonctionner.

### 4.4 Manipulation de la tête de tonte

#### 4.4.1 Affûtage de la plaque de coupe

*Remarque*

*Pour l'affûtage de la plaque de coupe, s'adresser au Service Technique, voir Chapitre Service Technique.*

#### 4.4.2 Remplacement de la tête de tonte



**Risque de blessure par des plaques de coupe acérées!**

- Manipuler avec précautions la tête de tonte de la tondeuse FAV5 CL/FORTIS.

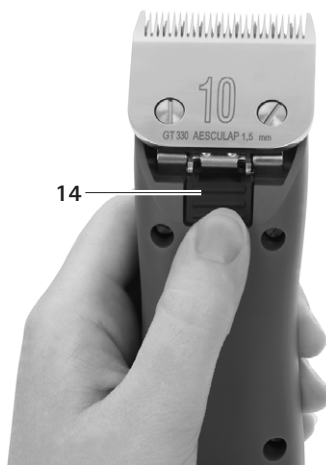


Fig. 3

- Appuyer sur l'interrupteur Marche/Arrêt 11 pour éteindre la tondeuse FAV5 CL/FORTIS.
- Presser le verrouillage de tête de tonte 14, voir Fig. 3.



Fig. 4

- Déployer la tête de tonte **12** vers l'avant, voir Fig. 4.
- Retirer la tête de tonte **12**.
- Nettoyer la charnière de lame ouverte avec un pinceau.
- Ficher la tête de tonte **12** sur la charnière de lame.
- Raccorder le câble d'alimentation électrique de la tondeuse à accu FAV5 CL/FORTIS.
- Appuyer sur l'interrupteur Marche/Arrêt **11**.
- Presser légèrement la tête de tonte **12** en direction de la tondeuse à accu FAV5 CL/FORTIS.  
La tête de tonte **12** s'encliquète de façon audible.
- Vérifier que la tête de tonte **12** est correctement placée sur la tondeuse FAV5 CL/FORTIS.

#### 4.4.3 Huilage de la tête de tonte

- Nettoyer la plaque de coupe supérieure et inférieure avec un chiffon doux ou un pinceau. Vérifier ce faisant que les espaces entre les dents sont propres.
- Huiler légèrement la plaque de coupe supérieure et inférieure avec l'huile spéciale pour têtes de tonte GT604.

#### 4.4.4 Remplacement de l'accu Li-ion

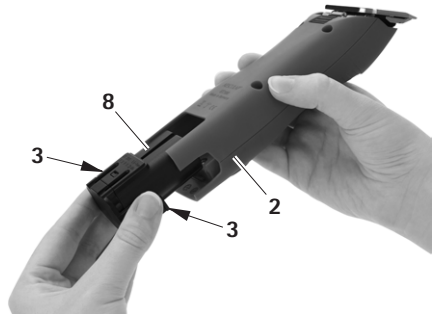


Fig. 5

- Tenir la tondeuse à accu FAV5 CL/FORTIS **2** et appuyer sur le déverrouillage de l'accu **3**.
- Retirer l'accu Li-ion **8** de la tondeuse à accu FAV5 CL/FORTIS **2**.
- Insérer l'accu Li-ion chargé **8** dans la tondeuse à accu FAV5 CL/FORTIS **2** jusqu'à la butée.  
La tondeuse à accu FAV5 CL/FORTIS **2** est prête à l'emploi.

## Tondeuse à accu FAV5 CL/FORTIS

## 5. Traitement stérile



ATTENTION

Risque d'endommagement ou de détérioration irrémédiable du produit par un nettoyage/une décontamination en machine ou par stérilisation!

- Ne nettoyer/décontaminer le produit que manuellement.
- Ne jamais stériliser le produit.

## 5.1 Nettoyage/décontamination

*Remarque*

*Respecter les consignes d'hygiène et d'élimination!*

## Nettoyage/décontamination manuels



DANGER

Risque d'électrocution et d'incendie!

- Débrancher la fiche secteur avant le nettoyage.
- Veiller à ce qu'aucun liquide ne pénètre dans le produit.
- Laisser le produit s'aérer pendant au moins 1 minute après le nettoyage/la décontamination.



ATTENTION

Risque de détériorations sur le produit en cas de nettoyage impropre ou de produit de nettoyage/décontamination inadéquat!

- Utiliser un produit courant du commerce pour le nettoyage des surfaces.
- Ne jamais plonger le produit dans de l'eau ou dans un produit nettoyant.
- Ne pas faire pénétrer de liquide dans les compartiments de recharge.
- Nettoyer avec le plus grand soin les contacts dans les compartiments de recharge.

- Essuyer le boîtier du produit avec un chiffon non pelucheux imbibé d'un produit courant du commerce pour la décontamination par essuyage.
- Si nécessaire, éliminer les résidus du produit de nettoyage et de décontamination à la fin de la durée d'action de celui-ci avec un chiffon non pelucheux humidifié à l'eau propre.
- Pour le séchage, utiliser un chiffon propre non pelucheux.
- Nettoyer les contacts dans les compartiments de recharge avec un coton-tige imbibé d'isopropanol ou d'alcool éthylique. Ne pas utiliser de produits chimiques favorisant la corrosion.
- Si nécessaire, répéter le nettoyage/la décontamination.

## 5.2 Vérification, entretien et contrôle

- Laisser refroidir le produit à la température ambiante.
- Après chaque nettoyage et décontamination, vérifier sur le produit les éléments suivants: propreté, bon fonctionnement et absence de détériorations.
- Huiler la tête de tonte si nécessaire, voir Chapitre Huilage de la tête de tonte.
- Contrôler sur le produit l'absence de détériorations, de bruits de fonctionnement irréguliers, d'échauffement excessif et de trop fortes vibrations.
- Vérifier que les tranchants de la tête de tonte ne sont pas rompus, endommagés ou émoussés.
- Mettre immédiatement au rebut tout produit endommagé.

## 6. Maintenance

Pour garantir un fonctionnement fiable, Aesculap recommande une maintenance par an.

### Adresses de service

Albert Kerbl GmbH

Felizenzell 9

84428 Buchbach / Germany

Phone: +49 (0) 8086 933-100

Fax: +49 (0) 8086 933-500

E-Mail: [info@kerbl.com](mailto:info@kerbl.com)

[www.kerbl.com](http://www.kerbl.com)

Pour obtenir d'autres adresses de service, contactez l'adresse ci-dessus.

## Tondeuse à accu FAV5 CL/FORTIS

## 7. Identification et élimination des pannes

## 7.1 Tondeuse à accu FAV5 CL/FORTIS

Problème	Identification	Cause	Élimination
La tondeuse à accu FAV5 CL/FORTIS ne démarre pas.	Contrôler la position de l'interrupteur.	L'accu Li-ion n'est pas chargé.	Charger l'accu Li-ion.
	-	Accu Li-ion défectueux	Insérer un nouvel accu Li-ion.
	-	L'accu Li-ion n'est pas inséré.	Insérer un nouvel accu Li-ion.
La tondeuse à accu FAV5 CL/FORTIS s'arrête.	-	Accu Li-ion mis en coupure par le disjoncteur de protection	Mettre l'interrupteur en position d'arrêt puis à nouveau en position de marche.
	-	L'accu Li-ion est vide.	Insérer un nouvel accu Li-ion.
La tondeuse à accu FAV5 CL/FORTIS ne se recharge pas dans la station de recharge.	Les indicateurs à DEL ne s'allument pas.	-	voir Chapitre Chargeur et accu Li-ion

## 7.2 Chargeur et accu Li-ion

Problème	Identification	Cause	Élimination
Le chargeur ne répond pas.	Les indicateurs à DEL ne s'allument pas.	Le câble d'alimentation électrique n'est pas branché.	Brancher le câble d'alimentation électrique dans la prise du chargeur et le brancher dans la prise du réseau d'alimentation électrique.
		L'accu Li-ion n'est pas chargé.	Remplacer le câble d'alimentation électrique.
		Chargeur défectueux	Faire réparer le produit chez le fabricant.
L'accu Li-ion n'est pas rechargé.	Accu Li-ion inséré, indicateur d'état de charge non allumé	Contacts du chargeur encrassés ou endommagés	Nettoyer les contacts dans le compartiment de recharge, voir Chapitre Nettoyage/décontamination ou faire réparer chez le fabricant.
		Accu Li-ion défectueux	Faire réparer l'accu Li-ion chez le fabricant.
		Chargeur défectueux	Faire réparer le chargeur chez le fabricant.
		Une température excessive est détectée dans l'accu Li-ion pendant le processus de recharge.	Retirer l'accu Li-ion du compartiment de recharge, le laisser refroidir et relancer le processus de recharge. En cas de nouveau dysfonctionnement, faire réparer l'accu chez le fabricant.
		Perturbation du rechargement ou accu Li-ion défectueux	Retirer l'accu Li-ion du compartiment de recharge et répéter le processus de recharge, le cas échéant dans autre compartiment de recharge. En cas de nouveau dysfonctionnement Faire réparer l'accu Li-ion chez le fabricant.

## Tondeuse à accu FAV5 CL/FORTIS

### 8. Service Technique

Les modifications effectuées sur les équipements techniques médicaux peuvent entraîner une perte des droits à garantie de même que d'éventuelles autorisations.

#### Adresses de service

Albert Kerbl GmbH

Felizenzell 9

84428 Buchbach / Germany

Phone: +49 (0) 8086 933-100

Fax: +49 (0) 8086 933-500

E-Mail: [info@kerbl.com](mailto:info@kerbl.com)

[www.kerbl.com](http://www.kerbl.com)

Pour obtenir d'autres adresses de service, contactez l'adresse ci-dessus.



## 9. Accessoires/pièces de rechange

Art. n°	Variante	Câble secteur	Accu Li-ion	Station de recharge	Tondeuse à accu	Accessoires
GT306/ GT380	Europe sauf Grande- Bretagne	<b>TA012170</b> Fiche plate Europe, noir, L=1,8 m	GT201	GT200880	GT300/GT380 non emballé	GT604800 Burette d'huile
GT306G/ GT380G	Grande- Bretagne	<b>TA012169</b> Fiche GB, noir, L=1,8 m	GT201	GT200880	GT300/GT380 non emballé	GT604800 Burette d'huile
GT306J/ GT380J	Japon, Mexique 110-125 V	<b>TA012168</b> Fiche côté appareil 2 broches, noir, L=1,8 m	GT201	GT200880	GT300/GT380 non emballé	GT604800 Burette d'huile
GT306K/ GT380K	Etats-Unis	<b>TA012168</b> Fiche côté appareil 2 broches, noir, L=1,8 m	GT201	GT200880	GT300/GT380 non emballé	GT604800 Burette d'huile

## Tondeuse à accu FAV5 CL/FORTIS

**10. Caractéristiques techniques****10.1 Tondeuse à accu FAV5 CL/FORTIS**

Type d'appareil	GT300/GT380
Nombre de courses	2 300 1/min
Tension de chargement/de sortie	8,4 V max.
Intensité de chargement/de sortie	1,2 A max.
Poids (sans tête de tonte ni accu)	385 g
Poids (avec tête de tonte et accu)	450 g
EN 60335-1, EN 60335-2-29	


**10.2 Chargeur**

Type d'appareil	GT203
Plage de tension réseau (courant absorbé)	100-240 V
Fréquence	50-60 Hz
Tension de chargement/de sortie	8,4 V max.
Intensité de chargement/de sortie	1,2 A max.
Poids	495 g
Label de contrôle	CE, UL

**10.3 Accu Li-ion**

Type d'appareil	GT201
Type de pile rechargeable	Li
Tension continue	7,4 V
Capacité	env. 1,2 Ah
Durée de recharge	50 min ±5 min



**10.4 Déclaration de conformité**

	<p>Nous déclarons sous notre propre responsabilité que le présent produit est conforme aux normes et documents normatifs suivants:</p> <p>2004/108/CE Directive CEM:  DIN EN 60335-1  DIN EN 60335-2-8</p> <p>Sécurité des appareils électriques pour usage domestique et similaire</p> <ul style="list-style-type: none"> <li>- prescriptions générales</li> <li>- pour les tondeuses de cheveux/ pelage</li> </ul> <p>Aesculap Suhl GmbH</p>
---	--

## 11. Elimination

Les appareils électriques, les accessoires et l'emballage doivent être recyclés dans le respect de l'environnement.

### 11.1 Uniquement pour les pays de l'UE

 	<p>Ne pas jeter les appareils électriques avec les déchets ménagers! Conformément à la Directive européenne 2012/19/EU sur les appareils électriques et électroniques usagés et sa transposition dans le droit national, les appareils électriques inutilisables doivent être collectés séparément et recyclés dans le respect de l'environnement.</p>
--	--

### 11.2 Accus Li-ion

Ne pas jeter les accus avec les déchets ménagers, dans le feu ni dans l'eau. Les accus défectueux ou usés doivent être collectés, recyclés ou éliminés dans le respect de l'environnement conformément à la Directive 2006/66/CE.

## 12. 2 ans de garantie

Chère cliente, cher client,

Nous vous remercions d'avoir acheté l'un de nos produits.

La marque Aesculap est synonyme depuis des décennies de qualité contrôlée et de service remarquable. Nous offrons à nos clients des produits innovants et performants. Aesculap fabrique des appareils de qualité supérieure et vous garantit l'utilisation de matériaux de qualité supérieure ainsi qu'une fabrication soignée. Nous tenons à souligner que nous ne sommes pas responsables des défauts de nos produits s'ils résultent d'une utilisation incorrecte, d'une usure normale ou du fait que le produit est utilisé de manière inappropriée ou que des produits d'autres marques ne fonctionnant pas parfaitement ou non adéquats sont utilisés.

Les pièces qui subissent généralement une usure et pour lesquelles nous ne donnons donc pas de garantie sont l'accu et la tête de tonte. Les défauts qui n'influencent pas ou très peu la valeur ou le fonctionnement de l'appareil sont également exclus.

Si notre responsabilité est engagée dans le cadre de notre garantie, nous nous réservons le droit de réparer ou de remplacer le produit.



## Esquiladora a batería FAV5 CL/FORTIS

### Legenda

- 1 Soporte del cabezal de corte
- 2 Esquiladora a batería FAV5 CL/FORTIS
- 3 Desbloqueo de la batería
- 4 Cargador de acumuladores
- 5 Cable de red (con conector para aparatos)
- 6 Compartimento de carga (batería de iones de litio)
- 7 Indicador del nivel de carga (batería de iones de litio)
- 8 Batería de iones de litio
- 9 Indicador del nivel de carga (esquiladora a batería FAV5 CL/FORTIS)
- 10 Compartimento de carga (esquiladora a batería FAV5 CL/FORTIS)
- 11 Interruptor de encendido/apagado
- 12 Cabezal de corte

- 2.6 Modo de funcionamiento del cargador GT203/ de la batería de iones de litio GT201 ..... 52
  - 2.6.1 Principio de carga ..... 52
  - 2.6.2 Tiempo de carga ..... 52
3. Preparación e instalación ..... 53
4. Utilización de la esquiladora a batería FAV5 CL/FORTIS, del cargador GT203/de la batería de iones de litio GT201 ..... 53
  - 4.1 Puesta a punto ..... 53
    - 4.1.1 Conexión de los accesorios ..... 53
    - 4.1.2 Colocación del cabezal de corte ..... 54
    - 4.1.3 Conexión del cargador/Carga de la batería de iones de litio ..... 54
  - 4.2 Comprobación del funcionamiento de la esquiladora a batería FAV5 CL/FORTIS ..... 55
  - 4.3 Prueba de funcionamiento del cargador ..... 56
  - 4.4 Manipulación del cabezal de corte ..... 56
    - 4.4.1 Afilado de la hoja de corte ..... 56
    - 4.4.2 Cambio del cabezal de corte ..... 56
    - 4.4.3 Lubricación del cabezal de corte ..... 57
    - 4.4.4 Cambio de la batería de iones de litio ..... 57
5. Trato y cuidado ..... 58
  - 5.1 Limpieza/Desinfección ..... 58
  - 5.2 Control, conservación e inspección ..... 59
6. Mantenimiento ..... 59
7. Identificación y subsanación de fallos ..... 60
  - 7.1 Esquiladora a batería FAV5 CL/FORTIS ..... 60
  - 7.2 Cargador y batería de iones de litio ..... 61
8. Servicio de Asistencia Técnica ..... 62
9. Accesorios/piezas de recambio ..... 63
10. Datos técnicos ..... 64
  - 10.1 Esquiladora a batería FAV5 CL/FORTIS ..... 64
  - 10.2 Cargador de acumuladores ..... 64
  - 10.3 Batería de iones de litio ..... 64
- 10.4 Declaración de conformidad ..... 64
11. Eliminación de residuos ..... 64
  - 11.1 Sólo para países de la UE ..... 65
  - 11.2 Baterías de iones de litio ..... 65
12. 2 años de garantía ..... 65

### Símbolos en el producto

	Respetar las instrucciones de uso
	Identificación de equipos eléctricos y electrónicos de acuerdo con la directiva 2012/19/EU (RAEE), ver Capítulo Eliminación de residuos

### Índice

1. Manipulación correcta ..... 51
2. Descripción del aparato ..... 51
  - 2.1 Volumen de suministro ..... 51
  - 2.2 Componentes necesarios para el servicio ..... 52
  - 2.3 Finalidad de uso de la esquiladora a batería FAV5 CL/FORTIS ..... 52
  - 2.4 Finalidad de uso del cargador GT203/de la batería de iones de litio GT201 ..... 52
- 2.5 Modo de funcionamiento de la esquiladora a batería FAV5 CL/FORTIS ..... 52

# 1. Manipulación correcta



PELIGRO

**Peligro de muerte por descarga eléctrica.**

- **No abrir el producto (el cambio de compartimento de carga constituye una excepción).**
  - **Conectar el producto únicamente a redes de suministro con puesta a tierra.**
- 
- Antes de utilizar el producto comprobar que funcione y que se encuentre en perfecto estado.
  - Almacenar el cargador y la batería de iones de litio a temperatura ambiente.
  - Mantener secos el cargador y la batería de iones de litio.
  - Cargar las baterías de iones de litio antes de utilizarlas por primera vez.
  - Respetar las "Instrucciones sobre compatibilidad electromagnética (CEM)".
  - Para evitar daños causados por un montaje o uso inadecuados y conservar así los derechos de garantía y responsabilidad del fabricante:
    - Utilizar el producto sólo conforme a las presentes instrucciones de uso.
    - Respetar la información sobre las medidas de seguridad y las instrucciones de mantenimiento.
    - Los accesorios que no se incluyan en las instrucciones de manejo se utilizarán sólo con autorización expresa del fabricante.
  - Confiar la aplicación y el uso del producto y de los accesorios exclusivamente a personal con la formación requerida para ello o que disponga de los conocimientos o experiencia necesarios.
  - Conservar las instrucciones en un lugar accesible para el operario.
  - Cumplir con las normas vigentes.
  - Asegurarse de que la instalación eléctrica de la sala cumpla con los requisitos IEC.

- Para desconectar el aparato de la red, tirar del enchufe, nunca del cable.
- No utilizar el producto en lugares expuestos a peligro de explosión.
- No utilizar ningún producto dañado o defectuoso. Retirar inmediatamente el producto si está dañado.

### Nota

*El aparato puede ser utilizado tanto por niños a partir de 8 años como por personas cuyas capacidades mentales, sensoriales o físicas estén disminuidas, así como por personas con falta de experiencia y conocimiento, siempre que reciban instrucción supervisada o en materia de seguridad y entiendan los riesgos que su uso conlleva.*

- Prohibido que los niños jueguen con el aparato.
- Prohibido que los niños realicen tareas de limpieza y mantenimiento del aparato sin supervisión.

# 2. Descripción del aparato

## 2.1 Volumen de suministro

Descripción	N.º art.
Esquiladora a batería FAV5 CL/FORTIS	GT300/GT380
Batería de iones de litio	GT201
Cargador de acumuladores	GT203
Cable de red (con conector para aparatos)	ver Capítulo Accesorios/piezas de recambio
Instrucciones de manejo	TA013440

### Nota

*La esquiladora FAV5 CL/FORTIS se suministra con el cabezal de corte GT330 #10 (EE.UU.+GB). Se pueden utilizar distintos cabezales de corte en función de la aplicación.*

## Esquiladora a batería FAV5 CL/FORTIS

### 2.2 Componentes necesarios para el servicio

- Esquiladora a batería FAV5 CL/FORTIS
- Cabezal de corte
- Cargador de acumuladores
- Cable de red (con conector para aparatos)
- Batería de iones de litio

### 2.3 Finalidad de uso de la esquiladora a batería FAV5 CL/FORTIS

#### Nota

*El aparato está previsto exclusivamente para cortar el pelaje de animales.*

La esquiladora a batería FAV5 CL/FORTIS se utiliza para esquilarse animales pequeños.

La esquiladora a batería FAV5 CL/FORTIS se debe utilizar con un cabezal de corte adecuado en función de la aplicación.

### 2.4 Finalidad de uso del cargador GT203/de la batería de iones de litio GT201

El cargador GT203 se utiliza para cargar la esquiladora a batería FAV5 CL/FORTIS y la batería de iones de litio. Existe un compartimento de carga específico para cada componente.

### 2.5 Modo de funcionamiento de la esquiladora a batería FAV5 CL/FORTIS

La esquiladora a batería FAV5 CL/FORTIS se enciende deslizando el interruptor de encendido/apagado hacia arriba y se apaga deslizándolo hacia abajo.

### 2.6 Modo de funcionamiento del cargador GT203/de la batería de iones de litio GT201

El cargador GT203 ha sido diseñado para un rango de tensión de 100 V a 240 V y unas frecuencias de 50 Hz a 60 Hz.

Para que el cargador GT203 funcione se debe conectar a la red eléctrica con el enchufe de red.

El cargador GT203 dispone de dos compartimentos de carga. En el primer compartimento se carga la esquiladora a batería FAV5 CL/FORTIS y en el segundo la batería de iones de litio.

Cada compartimento de carga tiene asignado su cuadro indicador en el frontal del cargador.

El proceso de carga se inicia automáticamente después de introducir una batería de iones de litio en la estación de carga.

El tiempo que tardan en cargarse las baterías en los compartimentos va en función del nivel de carga y de la capacidad de las baterías.

#### 2.6.1 Principio de carga

La carga de las baterías de iones de litio se produce por impulsos eléctricos constantes.

El cargador controla el nivel de carga de la batería de iones de litio mientras ésta se carga. Con la vigilancia del nivel de carga se garantiza la carga completa sin que se produzca una sobrecarga.

El equipo vigila asimismo la temperatura de la batería y el tiempo de carga.

El cargador realiza la vigilancia del nivel de carga de la batería por medio de dos indicadores.

Indicadores LED:

- verde = batería cargada
- rojo = batería vacía

#### 2.6.2 Tiempo de carga

Una vez agotado el tiempo de carga, se interrumpe el proceso de carga.

El tiempo de carga es de unos 50 minutos.

### 3. Preparación e instalación

Si no se observan las siguientes normas, Aesculap declina cualquier responsabilidad.

- Al instalar y poner en funcionamiento el producto, deberán respetarse:
  - los reglamentos de instalación y operación vigentes a nivel nacional,
  - y las directrices vigentes a nivel nacional para la prevención de explosiones e incendios.
  - Instrucciones de utilización según las normas IEC/VDE.



PELIGRO

**Peligro de incendio y de explosión.**

- **No utilizar el producto en lugares expuestos a peligro de explosión.**



ATENCIÓN

**El producto no funcionará bien o se dañará si no coloca en el lugar adecuado.**

- **No exponer el producto a la radiación directa del sol ni a la humedad.**
- **No cubrir las ranuras de ventilación del producto.**
- **Conectar el producto a redes con una tensión nominal de 100 V a 240 V y un rango de frecuencias de 50 Hz a 60 Hz.**
- **Asegurarse de que la toma de corriente de la red de suministro de la tensión de alimentación del producto se encuentre accesible.**

### 4. Utilización de la esquiladora a batería FAV5 CL/FORTIS, del cargador GT203/de la batería de iones de litio GT201

#### 4.1 Puesta a punto

##### 4.1.1 Conexión de los accesorios

Las combinaciones de accesorios no mencionadas en las instrucciones de manejo sólo podrán utilizarse si se indica expresamente que son adecuadas para la utilización prevista. No deben influir negativamente en las características de rendimiento ni los requisitos de seguridad.

## Esquiladora a batería FAV5 CL/FORTIS

### 4.1.2 Colocación del cabezal de corte



ADVERTENCIA

**Peligro de lesiones por el filo cortante de las hojas de corte.**

- Manipular con cuidado el cabezal de corte de la esquiladora FAV5 CL/FORTIS.

#### Nota

La esquiladora FAV5 CL/FORTIS se suministra con el cabezal de corte GT330 #10 (EE.UU.+GB). Se pueden utilizar distintos cabezales de corte en función de la aplicación.



Fig. 1

- Si la bisagra del cabezal está cerrada: abrir la bisagra del cabezal 13 con un destornillador, ver Fig. 1.

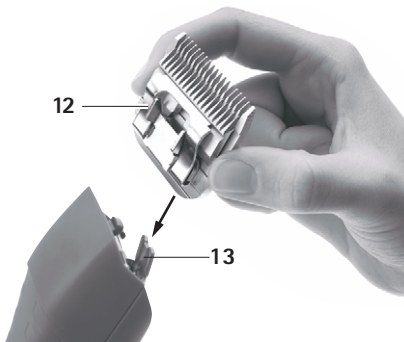


Fig. 2

- Conectar el cabezal de corte 12 a la bisagra del cabezal 13 abierta, ver Fig. 2.
- Accionar el interruptor 11.
- Empujar suavemente el cabezal de corte 12 hacia la esquiladora FAV5 CL/FORTIS, ver Fig. 2. El cabezal de corte 12 se enclava de forma audible.
- Comprobar que el cabezal de corte 12 se asienta correctamente en la esquiladora FAV5 CL/FORTIS.

### 4.1.3 Conexión del cargador/Carga de la batería de iones de litio



ADVERTENCIA

**Peligro de incendio por cortocircuito de los polos a causa de líquidos o piezas de metal.**

- No cortocircuitar la batería de iones de litio.



ADVERTENCIA

**Peligro de lesiones y daños materiales si la batería de iones de litio está en mal estado.**

- Comprobar que la batería de iones de litio no presenta daños antes de iniciar la carga.
- No utilizar la batería de iones de litio si presenta algún daño.



ATENCIÓN

**Pérdida de la capacidad/del rendimiento de la batería de iones de litio si se almacena descargada durante demasiado tiempo.**

- Cargar siempre por completo la batería de iones de litio antes de almacenarla durante periodos largos y recargarla una vez al mes.





#### ATENCIÓN

Peligro de destrucción del producto, del compartimento de carga o de la batería de iones de litio si se introduce una batería incorrecta en el compartimento de carga.

- Introducir la batería de iones de litio sólo en el compartimento de carga que le corresponde.
- Introducir la batería de iones de litio en la posición correcta.

#### Nota

Apagar siempre la esquiladora a batería FAV5 CL/FORTIS antes de la carga.

#### Nota

Las baterías de iones de litio se calientan ligeramente durante la carga.

#### Nota

Cuando no se vaya a utilizar el cargador se desenchufará siempre el cable de red de la toma de corriente.

- Conexión del cargador 4: Enchufar el conector para aparatos del cable de red 5 en el cargador 4.
- Conectar el enchufe de red del cable de red 5 a la toma de corriente.
- Colocar la batería de iones de litio 8 en el compartimento de carga 6 del cargador 4 y cargarla.  
- 0 -
- Colocar la esquiladora a batería FAV5 CL/FORTIS 2 en el compartimento de carga 10 del cargador 4 y cargarla.

El indicador del nivel de carga 7 o el indicador del nivel de carga 9 se ilumina en rojo.

Después de la carga, el indicador del nivel de carga 7/9 se ilumina en verde y la esquiladora a batería FAV5 CL/FORTIS 2/la batería de iones de litio 8 se encuentra lista para funcionar.

## 4.2 Comprobación del funcionamiento de la esquiladora a batería FAV5 CL/FORTIS

- Realizar una inspección visual.
- Comprobar la posición del selector.
- Introducir la batería, ver Capítulo Cambio de la batería de iones de litio.
- Conectar correctamente el cabezal de corte y, si es necesario, lubricarlo, ver Capítulo Manipulación del cabezal de corte.
- Tener preparada la batería de iones de litio cargada.
- Limpiar la esquiladora a batería FAV5 CL/FORTIS antes de utilizarla, ver Capítulo Limpieza/Desinfección.

## Esquiladora a batería FAV5 CL/FORTIS

### 4.3 Prueba de funcionamiento del cargador

- Realizar una inspección visual.
- Antes de conectar el producto a la red:
  - Comprobar que el cable de red **5** no está dañado.
  - Comprobar que el producto no presenta daños (p. ej. que los contactos de los compartimentos de carga no están deformados).
- Enchufar el cable de red **5** en la estación de carga.
- Conectar el enchufe de red a la toma de corriente de la red.
- Colocar la batería de iones de litio **8** en el compartimento de carga **6** del cargador **4** y cargarla.
  - o -
- Colocar la esquiladora a batería FAV5 CL/FORTIS **2** en el compartimento de carga **10** del cargador **4** y cargarla.

El indicador del nivel de carga **7** o el indicador del nivel de carga **9** se ilumina en rojo.

Después de la carga, el indicador del nivel de carga **7/9** se ilumina en verde y la esquiladora a batería FAV5 CL/FORTIS **2**/la batería de iones de litio **8** se encuentra lista para funcionar.

El producto está listo para el funcionamiento.

### 4.4 Manipulación del cabezal de corte

#### 4.4.1 Afilado de la hoja de corte

*Nota*

*En caso de que sea necesario afilar la hoja de corte, diríjase al Servicio de Asistencia Técnica, ver Capítulo Servicio de Asistencia Técnica.*

#### 4.4.2 Cambio del cabezal de corte



**ADVERTENCIA**

**Peligro de lesiones por el filo cortante de las hojas de corte.**

- **Manipular con cuidado el cabezal de corte de la esquiladora FAV5 CL/FORTIS.**

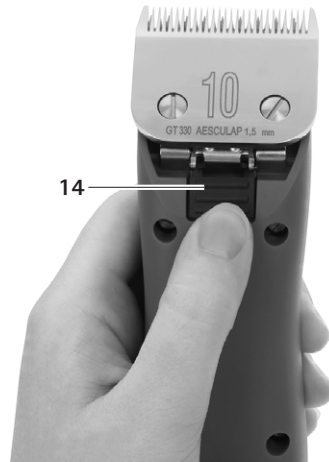


Fig. 3

- Accionar el interruptor **11** para apagar la esquiladora FAV5 CL/FORTIS.
- Presionar el bloqueo del cabezal de corte **14**, ver Fig. 3.



Fig. 4

- Empujar el cabezal de corte **12** hacia delante, ver Fig. 4.
- Retirar el cabezal de corte **12**.
- Limpiar con un pincel la bisagra abierta del cabezal.
- Conectar el cabezal de corte **12** a la bisagra del cabezal.
- Enchufar el cable de red de la esquiladora a batería FAV5 CL/FORTIS.
- Accionar el interruptor **11**.
- Empujar suavemente el cabezal de corte **12** hacia la esquiladora a batería FAV5 CL/FORTIS.  
El cabezal de corte **12** se enclava de forma audible.
- Comprobar que el cabezal de corte **12** se asienta correctamente en la esquiladora a batería FAV5 CL/FORTIS.

#### 4.4.3 Lubricación del cabezal de corte

- Limpiar las hojas de corte inferior y superior con un trapo suave o con un pincel. Asegurarse de que los espacios entre los dientes quedan bien limpios.
- Lubricar las placas superior e inferior ligeramente con el aceite especial para cabezales GT604.

#### 4.4.4 Cambio de la batería de iones de litio

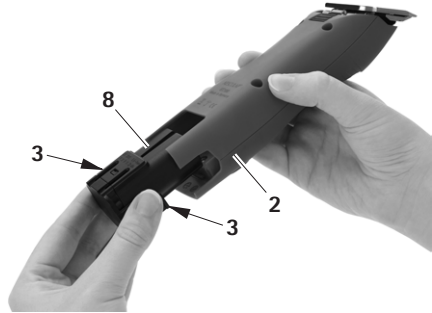


Fig. 5

- Sujetar la esquiladora a batería FAV5 CL/FORTIS **2** y apretar el desbloqueo de la batería **3**.
- Extraer la batería de iones de litio **8** de la esquiladora a batería FAV5 CL/FORTIS **2**.
- Introducir hasta el tope la batería de iones de litio **8** cargada en la esquiladora a batería FAV5 CL/FORTIS **2**.

La esquiladora a batería FAV5 CL/FORTIS **2** está lista para funcionar.

## Esquiladora a batería FAV5 CL/FORTIS

## 5. Trato y cuidado



ATENCIÓN

El producto se dañará o se destruirá si se somete a una limpieza/desinfección o esterilización automática.

- Limpiar/desinfectar el producto sólo manualmente.
- No esterilizar nunca el producto.

## 5.1 Limpieza/Desinfección

*Nota*

*Respetar las normas higiénicas y de eliminación de residuos.*

## Limpieza/desinfección manuales



PELIGRO

Riesgo de descargas eléctricas e incendios.

- Desconectar el aparato del enchufe de red antes de limpiar.
- Asegurarse de que no penetra ningún líquido en el producto.
- Tras la limpieza/desinfección, dejar ventilar al menos durante 1 minuto.



ATENCIÓN

Peligro de dañar el producto debido a una limpieza incorrecta o al uso de desinfectantes/agentes de limpieza no adecuados.

- Utilizar un producto de limpieza convencional para la limpieza de la superficie.
- No sumergir nunca el producto en agua o en el agente de limpieza.
- No introducir líquidos en los compartimentos de carga.
- Limpiar los contactos de los compartimentos de carga con sumo cuidado.

- Limpiar la carcasa del producto con un paño sin pelusa humedecido con un desinfectante convencional.
- Eliminar los posibles restos del agente de limpieza y desinfección una vez finalizado su tiempo de actuación con un paño sin pelusa humedecido en agua clara.
- Para el secado, utilizar un paño limpio y sin pelusa.
- Limpiar los contactos de los compartimentos de carga con isopropanol o alcohol etílico y un bastoncillo de algodón. No utilizar productos químicos que puedan provocar corrosión.
- Si es necesario, repetir la limpieza/desinfección.

## 5.2 Control, conservación e inspección

- Dejar que el producto se enfríe a temperatura ambiente.
- Tras limpiar y desinfectar el producto, comprobar que: esté limpio, funcione debidamente y no tenga defectos.
- Si es necesario, lubricar el cabezal de corte, ver Capítulo Lubricación del cabezal de corte.
- Comprobar que el producto no presenta daños, ruidos de funcionamiento anormales, sobrecalentamiento ni una vibración excesiva.
- Comprobar que las hojas de corte no están fragmentadas, dañadas ni desafiladas.
- Retirar inmediatamente el producto si está dañado.

## 6. Mantenimiento

Para garantizar un funcionamiento fiable, Aesculap recomienda realizar un mantenimiento una vez al año.

### Direcciones de la Asistencia Técnica

Albert Kerbl GmbH

Felizenzell 9

84428 Buchbach / Germany

Phone: +49 (0) 8086 933-100

Fax: +49 (0) 8086 933-500

E-Mail: [info@kerbl.com](mailto:info@kerbl.com)

[www.kerbl.com](http://www.kerbl.com)

En la dirección especificada anteriormente se le facilitará información sobre otras direcciones de Asistencia Técnica.

## Esquiladora a batería FAV5 CL/FORTIS

## 7. Identificación y subsanación de fallos

7.1 Esquiladora a batería FAV5 CL/  
FORTIS

Fallo	Detección	Causa	Subsanación
La esquiladora a batería FAV5 CL/FORTIS no funciona con	Comprobar la posición del interruptor	No se ha cargado la batería de iones de litio	Cargar la batería de iones de litio
	–	Batería de iones de litio defectuosa	Introducir una batería de iones de litio nueva
	–	No se ha introducido la batería de iones de litio	Introducir una batería de iones de litio nueva
La esquiladora a batería FAV5 CL/FORTIS se para	–	El circuito de protección ha desconectado la batería de iones de litio	Apagar y encender la esquiladora
	–	La batería de iones de litio está descargada	Introducir una batería de iones de litio nueva
La esquiladora a batería FAV5 CL/FORTIS no se carga en la estación de carga	Los indicadores LED no se iluminan	–	ver Capítulo Cargador y batería de iones de litio

## 7.2 Cargador y batería de iones de litio

Fallo	Detección	Causa	Subsanación
El cargador no funciona	Los indicadores LED no se iluminan	No se ha conectado el cable de red	Enchufar el cable de red en el cargador y en la toma de la red
		Cable de red defectuoso	Cambiar el cable de red
	No se ha cargado la batería de iones de litio	Cargador defectuoso	Encargar al fabricante la reparación del producto
La batería de iones de litio no se carga	Se ha encajado la batería de iones de litio pero el indicador del nivel de carga no se ilumina	Los contactos del cargador están sucios o dañados	Limpiar los contactos del compartimento de carga, ver Capítulo Limpieza/Desinfección o encargar la reparación al fabricante
		Batería de iones de litio defectuosa	Encargar al fabricante la reparación de la batería de iones de litio
		Cargador defectuoso	Encargar al fabricante la reparación del cargador
		Durante la carga se ha detectado un sobrecalentamiento de la batería de iones de litio	Retirar la batería de iones de litio del compartimento de carga, dejarla enfriar e iniciar de nuevo la carga. Si se produce otro fallo, encargar al fabricante la reparación del acumulador
		Fallo de carga o batería de iones de litio defectuosa	Retirar la batería de iones de litio del compartimento de carga y repetir la carga, si es necesario, en otro compartimento. Si se produce otro fallo, encargar al fabricante la reparación de la batería de iones de litio

## Esquiladora a batería FAV5 CL/FORTIS

### 8. Servicio de Asistencia Técnica

Si se realizan modificaciones en el equipo médico técnico, se extinguirá la garantía y el derecho de garantía, así como las posibles homologaciones.

#### Direcciones de la Asistencia Técnica

Albert Kerbl GmbH

Felizenzell 9

84428 Buchbach / Germany

Phone: +49 (0) 8086 933-100

Fax: +49 (0) 8086 933-500

E-Mail: [info@kerbl.com](mailto:info@kerbl.com)

[www.kerbl.com](http://www.kerbl.com)

En la dirección especificada anteriormente se le facilitará información sobre otras direcciones de Asistencia Técnica.



## 9. Accesorios/piezas de recambio

N.º art.	Versión	Cable de red	Batería de iones de litio	Estación de carga	Esquiladora a batería	Accesorios
GT306/ GT380	Europa excepto Gran Bretaña	<b>TA012170</b> <b>Euroconector</b> <b>plano, negro,</b> <b>L=1,8 m</b>	GT201	GT200880	GT300/GT380 Sin embalaje	GT604800 Aceitera
GT306G/ GT380G	Gran Bretaña	<b>TA012169</b> <b>Conector UK,</b> <b>negro,</b> <b>L=1,8 m</b>	GT201	GT200880	GT300/GT380 Sin embalaje	GT604800 Aceitera
GT306J/ GT380J	Japón, México 110-125 V	<b>TA012168</b> <b>Conector para</b> <b>aparatos de</b> <b>2polos, negro,</b> <b>L=1,8 m</b> <b>L=1,8 m</b>	GT201	GT200880	GT300/GT380 Sin embalaje	GT604800 Aceitera
GT306K/ GT380K	EE. UU.	<b>TA012168</b> <b>Conector para</b> <b>aparatos de</b> <b>2polos, negro,</b> <b>L=1,8 m</b> <b>L=1,8 m</b>	GT201	GT200880	GT300/GT380 Sin embalaje	GT604800 Aceitera

## Esquiladora a batería FAV5 CL/FORTIS

## 10. Datos técnicos

## 10.1 Esquiladora a batería FAV5 CL/FORTIS

Tipo de aparato	GT300/GT380
Velocidad	2 300 1/min
Tensión de carga/salida	máx. 8,4 V
Corriente de carga/salida	máx. 1,2 A
Peso (sin cabezal de corte ni batería)	385 g
Peso (con cabezal de corte y batería)	450 g
EN 60335-1, EN 60335-2-29	


## 10.2 Cargador de acumuladores

Tipo de aparato	GT203
Rango de tensión (potencia absorbida)	100-240 V
Frecuencia	50-60 Hz
Tensión de carga/salida	máx. 8,4 V
Corriente de carga/salida	máx. 1,2 A
Peso	495 g
Marca de verificación	CE, UL

## 10.3 Batería de iones de litio

Tipo de aparato	GT201
Elementos del acumulador	Li
Tensión de corriente continua	7,4 V
Capacidad	aprox. Ah
Tiempo de carga	50 min ±5 min

## 10.4 Declaración de conformidad

	<p>Declaramos, bajo responsabilidad propia, que este producto cumple las siguientes normas o documentos normativos:</p> <p>2004/108/EG Directriz de CEM:  DIN EN 60335-1  DIN EN 60335-2-8</p> <p>Seguridad de los aparatos electrodomésticos y análogos</p> <ul style="list-style-type: none"> <li>- Requisitos generales</li> <li>- Requisitos particulares para máquinas de cortar el pelo</li> </ul> <p>Aesculap Suhl GmbH</p>
---	--

## 11. Eliminación de residuos

Reciclar de forma ecológica las herramientas eléctricas, sus accesorios y sus envases.

### 11.1 Sólo para países de la UE



No deseche las herramientas eléctricas con la basura doméstica.

En virtud de la Directiva europea 2012/19/EU sobre residuos de aparatos eléctricos y electrónicos, y su transposición, las herramientas eléctricas que han dejado de ser aptas para el uso deben eliminarse mediante una recogida selectiva y reciclarse de forma ecológica.

### 11.2 Baterías de iones de litio

No desechar las baterías con la basura doméstica ni arrojándolas al fuego ni al agua. Las baterías defectuosas o usadas se deben recoger, reciclar o eliminar de forma respetuosa con el medio ambiente según lo dispuesto en la Directiva 2006/66/EG.

## 12. 2 años de garantía

Apreciado cliente, apreciada cliente:

Le damos las gracias por haber elegido un producto de nuestra casa.

Ya desde hace varias décadas, se asocia la marca Aesculap con productos de acreditada calidad y con un excelente servicio técnico. Ofrecemos a nuestros clientes productos innovadores y con elevadas prestaciones. Aesculap fabrica aparatos de primera calidad y le garantiza el empleo de materiales de alta calidad, así como un proceso de producción impecable. Nos gustaría indicar asimismo que no respondemos de los defectos materiales de nuestros productos cuando se derivan de un uso inadecuado, del desgaste natural del producto o de sus consecuencias, ni cuando no se utilice el producto debidamente ni cuando se use con productos de terceros que sean inapropiados o no funcionen correctamente.

Las piezas que, por lo general, se desgastan son el cabezal de corte y la batería y, por lo tanto, no respondemos de ellas. Asimismo, quedan excluidos aquellos defectos que no afectan o sólo afectan de forma insignificante al valor o la función del producto.



En el caso de responder en el ámbito de nuestra garantía, nos reservamos el derecho de reparar o sustituir el producto.

**Tosatrice ad accumulatore FAV5 CL/FORTIS**

**Legenda**

- 1 Supporto per testa di tosatura
- 2 Tosatrice ad accumulatore FAV5 CL/FORTIS
- 3 Sblocco accumulatore
- 4 Caricabatterie
- 5 Cavo di allacciamento alla rete (con spina apparecchio)
- 6 Pozzetto (per accumulatore a ioni di litio)
- 7 Indicatore della condizione di carica (per accumulatore a ioni di litio)
- 8 Accumulatore a ioni di litio
- 9 Indicatore della condizione di carica (per tosatrice ad accumulatore FAV5 CL/FORTIS)
- 10 Pozzetto (per tosatrice ad accumulatore FAV5 CL/FORTIS)
- 11 Interruttore di accensione/spegnimento
- 12 Testa di tosatura

**Simboli del prodotto**

	<p>Rispettare le istruzioni per l'uso</p>
	<p>Marchio degli apparecchi elettrici ed elettronici conformi alla direttiva 2012/19/EU (RAEE), vedere Capitolo Smaltimento</p>

**Indice**

- 1. Manipolazione sicura .....67
- 2. Descrizione dell'apparecchio .....67
- 2.1 Corredo di fornitura .....67
- 2.2 Componenti necessari alla messa in funzione .....68
- 2.3 Destinazione d'uso della tosatrice ad accumulatore FAV5 CL/FORTIS .....68
- 2.4 Destinazione d'uso del caricabatterie GT203/ accumulatore a ioni di litio GT201 .....68

- 2.5 Funzionamento della tosatrice ad accumulatore FAV5 CL/FORTIS .....68
- 2.6 Funzionamento del caricabatterie GT203/ accumulatore a ioni di litio GT201 .....68
- 2.6.1 Principio di carica .....68
- 2.6.2 Durata della carica .....69
- 3. Preparazione ed installazione .....69
- 4. Lavorare con la tosatrice ad accumulatore FAV5 CL/FORTIS, il caricabatterie GT203/ l'accumulatore a ioni di litio GT201 .....69
- 4.1 Messa in funzione .....69
- 4.1.1 Collegamento degli accessori .....69
- 4.1.2 Inserimento della testa di tosatura.....70
- 4.1.3 Collegamento del caricabatterie/ricarica dell'accumulatore a ioni di litio.....70
- 4.2 Controllo del funzionamento della tosatrice ad accumulatore FAV5 CL/FORTIS .....71
- 4.3 Controllo del funzionamento del caricabatterie .....72
- 4.4 Manipolazione della testa di tosatura .....72
- 4.4.1 Affilatura dei pettini .....72
- 4.4.2 Sostituzione della testa di tosatura.....72
- 4.4.3 Oliatura della testa di tosatura.....73
- 4.4.4 Sostituzione dell'accumulatore a ioni di litio 73
- 5. Preparazione sterile .....74
- 5.1 Pulizia/Disinfezione .....74
- 5.2 Controllo, cura e verifica .....75
- 6. Manutenzione .....75
- 7. Identificazione ed eliminazione dei guasti ...76
- 7.1 Tosatrice ad accumulatore FAV5 CL/FORTIS .76
- 7.2 Caricabatterie e accumulatore a ioni di litio 77
- 8. Assistenza tecnica .....78
- 9. Accessori/Ricambi .....79
- 10. Specifiche tecniche .....80
- 10.1 Tosatrice ad accumulatore FAV5 CL/FORTIS .80
- 10.2 Caricabatterie .....80
- 10.3 Accumulatore a ioni di litio .....80
- 10.4 Dichiarazione di conformità .....80
- 11. Smaltimento .....81
- 11.1 Soltanto per i paesi CE .....81
- 11.2 Accumulatori a ioni di litio .....81
- 12. 2 anni di garanzia .....81

# 1. Manipolazione sicura



**Le scosse elettriche comportano pericolo di morte!**

- **Non aprire il prodotto (eccetto per sostituire il pozzetto).**
  - **Utilizzare il prodotto soltanto su una rete elettrica con conduttore di protezione.**
- Prima di utilizzare il prodotto verificarne l'idoneità funzionale ed accertarsi che sia in perfette condizioni.
  - Conservare il caricabatterie e gli accumulatori a ioni di litio a temperatura ambiente.
  - Mantenere asciutti il caricabatterie e gli accumulatori a ioni di litio.
  - Prima del primo utilizzo caricare gli accumulatori a ioni di litio.
  - Rispettare le "Avvertenze sulla compatibilità elettromagnetica (CEM)".
  - In questo modo è possibile evitare danni dovuti a un montaggio o un esercizio non corretto e che, come tali, pregiudicano la garanzia:
    - Utilizzare il prodotto solo in conformità alle presenti istruzioni per l'uso.
    - Rispettare le informazioni sulla sicurezza e le avvertenze per la manutenzione.
    - Gli accessori non menzionati nelle istruzioni per l'uso possono essere usati solo con il consenso del produttore.
  - Far usare il prodotto e gli accessori solo a personale che disponga di adeguata formazione, conoscenze ed esperienze.
  - Conservare le istruzioni per l'uso in modo che siano accessibili per l'utente.
  - Rispettare le norme vigenti.
  - Accertarsi che l'impianto elettrico dell'ambiente sia conforme ai requisiti CEI.

- Staccare la spina dalla presa di rete afferrando sempre la spina, mai tirando il cavo.
- Non utilizzare il prodotto in settori a rischio di esplosione.
- Se il prodotto è guasto o danneggiato, non utilizzarlo. Se il prodotto è danneggiato, scartarlo immediatamente.

### Nota

*Questo apparecchio può essere utilizzato da bambini a partire da 8 anni e da persone con ridotte capacità fisiche, sensoriali o mentali o senza esperienza o conoscenza del prodotto, solo se sorvegliati e se sono stati istruiti sull'uso sicuro dell'apparecchio e se sono consapevoli dei pericoli derivanti dall'uso.*

- I bambini non devono giocare con l'apparecchio.
- La pulizia e la manutenzione da parte dell'utilizzatore non possono essere eseguite da bambini non sorvegliati.

# 2. Descrizione dell'apparecchio

## 2.1 Corredo di fornitura

Descrizione	Cod. art.
Tosatrice ad accumulatore FAV5 CL/FORTIS	GT300/GT380
Accumulatore a ioni di litio	GT201
Caricabatterie	GT203
Cavo di allacciamento alla rete (con spina apparecchio)	vedere Capitolo Accessori/Ricambi
Istruzioni per l'uso	TA013440

## Tosatrice ad accumulatore FAV5 CL/FORTIS

### Nota

La testa di tosatura GT330 #10 (USA+GB) della tosatrice FAV5 CL/FORTIS è compresa nel corredo di fornitura. Possono essere impiegate teste di tosatura diverse a seconda dell'applicazione!

### 2.2 Componenti necessari alla messa in funzione

- Tosatrice ad accumulatore FAV5 CL/FORTIS
- Testa di tosatura
- Caricabatterie
- Cavo di allacciamento alla rete (con spina apparecchio)
- Accumulatore a ioni di litio

### 2.3 Destinazione d'uso della tosatrice ad accumulatore FAV5 CL/FORTIS

#### Nota

L'apparecchio è concepito soltanto per tagliare peli di animali!

La tosatrice ad accumulatore FAV5 CL/FORTIS serve a tosare piccoli animali.

La tosatrice ad accumulatore FAV5 CL/FORTIS deve essere utilizzata con una testa di tosatura adatta all'applicazione.

### 2.4 Destinazione d'uso del caricabatterie GT203/accumulatore a ioni di litio GT201

Il caricabatterie GT203 serve a ricaricare la tosatrice ad accumulatore FAV5 CL/FORTIS e l'accumulatore a ioni di litio. Vi è un pozzetto per ciascuno dei due componenti.

### 2.5 Funzionamento della tosatrice ad accumulatore FAV5 CL/FORTIS

La tosatrice ad accumulatore FAV5 CL/FORTIS si accende portando l'interruttore di accensione/spengimento nella posizione in alto e si spegne portando il medesimo interruttore nella posizione in basso.

### 2.6 Funzionamento del caricabatterie GT203/accumulatore a ioni di litio GT201

Il caricabatterie GT203 è concepito per l'intervallo di tensione di rete da 100 V a 240 V e da 50 Hz a 60 Hz. Per renderlo idoneo a funzionare il caricabatterie GT203 è collegato alla rete elettrica tramite la spina.

Il caricabatterie GT203 ha due pozzetti. Nel primo pozzetto è caricata la tosatrice ad accumulatore FAV5 CL/FORTIS e nel secondo l'accumulatore a ioni di litio.

Ognuno dei pozzetti di carica corrisponde ad un proprio campo d'indicazione sul frontalino del caricabatterie.

Il procedimento di carica ha inizio automaticamente quando nella stazione di carica è inserito un accumulatore a ioni di litio.

La durata della carica nei pozzetti dipende dalla condizione di carica e dalla capacità degli accumulatori a ioni di litio.

#### 2.6.1 Principio di carica

Gli accumulatori a ioni di litio sono caricati mediante impulsi di corrente costanti.

La condizione di carica dell'accumulatore a ioni di litio è sorvegliata durante la ricarica. Il monitoraggio della curva di carico assicura una carica al 100 % senza sovraccariche.

Inoltre vengono monitorate la temperatura e la durata della carica degli accumulatori.

Il caricabatterie sorveglia la condizione di carica con due indicatori della condizione di carica.

Indicatori LED:

- verde = accumulatore pieno
- rosso = accumulatore vuoto

### 2.6.2 Durata della carica

Al raggiungimento della durata massima della carica, il procedimento di carica è interrotto.

La durata della carica è di circa 50 min.

## 3. Preparazione ed installazione

Il mancato rispetto delle seguenti disposizioni fa sì che Aesculap non si assuma alcuna garanzia in merito.

- Nell'installazione e l'esercizio del prodotto è necessario rispettare:
  - le norme nazionali sull'installazione ed i gestori,
  - le norme nazionali antincendio ed antideflagrazione.
- Avvertenze per l'impiego come da disposizioni CEI/VDE.



**PERICOLO**

**Pericolo di incendi ed esplosioni!**

- **Non utilizzare il prodotto in settori a rischio di esplosione.**



**ATTENZIONE**

**Compromissioni del funzionamento o danni al prodotto causati da installazioni non idonee!**

- **Non esporre il prodotto a radiazioni solari dirette o all'umidità.**
- **Non coprire la feritoia di ventilazione del prodotto.**
- **Collegare a tensione nominale compresa tra 100 V e 240 V e a un intervallo di frequenza di rete di 50 Hz e 60 Hz.**
- **Accertarsi che la presa della rete di alimentazione usata per il prodotto sia liberamente accessibile.**

## 4. Lavorare con la tosatrice ad accumulatore FAV5 CL/FORTIS, il caricabatterie GT203/ l'accumulatore a ioni di litio GT201

### 4.1 Messa in funzione

#### 4.1.1 Collegamento degli accessori

Le combinazioni di accessori non menzionate nelle istruzioni per l'uso possono essere utilizzate soltanto se espressamente destinate all'applicazione prevista. Caratteristiche e sicurezza non devono risultare pregiudicate.

## Tosatrice ad accumulatore FAV5 CL/FORTIS

### 4.1.2 Inserimento della testa di tosatura



**AVVERTENZA**

**Pericoli di lesioni causate dai pettini taglienti!**

- **Maneggiare la testa di tosatura della tosatrice FAV5 CL/FORTIS con estrema cautela.**

#### Nota

La testa di tosatura GT330 #10 (USA+GB) della tosatrice FAV5 CL/FORTIS è compresa nel corredo di fornitura. Possono essere impiegate teste di tosatura diverse a seconda dell'applicazione!



Fig. 1

- Con la cerniera delle lame chiusa: Aprire la cerniera delle lame 13 con il cacciavite, vedere Fig. 1.

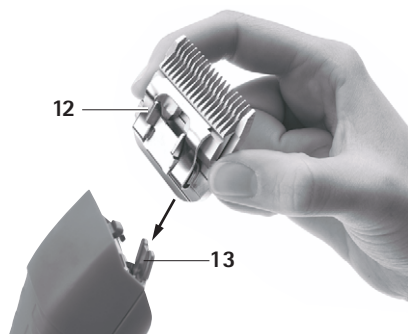


Fig. 2

- Inserire la testa di tosatura 12 sulla cerniera delle lame 13 aperta, vedere Fig. 2.
  - Premere l'interruttore di accensione/spengimento 11.
  - Spingere leggermente la testa di tosatura 12 nella direzione della tosatrice FAV5 CL/FORTIS, vedere Fig. 2.
- La testa di tosatura 12 scatta in posizione con un rumore percettibile.
- Accertarsi che la testa di tosatura 12 sia correttamente posizionata sulla tosatrice FAV5 CL/FORTIS.

### 4.1.3 Collegamento del caricabatterie/ricarica dell'accumulatore a ioni di litio



**AVVERTENZA**

**Pericolo di incendio in caso di cortocircuito dei poli causato da liquidi o parti metalliche!**

- **Non cortocircuitare l'accumulatore a ioni di litio.**



**AVVERTENZA**

**Pericolo di lesioni e danni materiali da accumulatori a ioni di litio danneggiati!**

- **Prima di ricaricare gli accumulatori a ioni di litio controllare che non siano danneggiati.**
- **Non usare o ricaricare accumulatori a ioni di litio danneggiati.**



**ATTENZIONE**

**Perdite di capacità/degrado delle prestazioni degli accumulatori a ioni di litio scarichi da lunghe conservazioni!**

- **In caso di lunghe conservazioni, conservare gli accumulatori a ioni di litio soltanto a piena carica e ricaricandoli una volta al mese.**





## ATTENZIONE

**Distrizioni del prodotto, del pozzetto di carica o dell'accumulatore a ioni di litio causate dall'inserimento di modelli di accumulatore errati nel pozzetto di carica!**

- **Inserire gli accumulatori a ioni di litio soltanto negli appositi pozzetti.**
- **Inserire gli accumulatori a ioni di litio rispettando la posizione corretta.**

### *Nota*

*Prima della procedura di carica spegnere la tosatrice ad accumulatore FAV5 CL/FORTIS!*

### *Nota*

*Durante il procedimento di carica gli accumulatori a ioni di litio si surriscaldano leggermente.*

### *Nota*

*Quando non si lavora con il caricabatterie, il cavo di allacciamento alla rete deve essere staccato dalla presa!*

- Collegare il caricabatterie **4**: Inserire la spina apparecchio del cavo di allacciamento alla rete **5** nel caricabatterie **4**.
- Inserire la spina del cavo di allacciamento alla rete **5** nella presa.
- Mettere l'accumulatore a ioni di litio **8** nel pozzetto **6** del caricabatterie **4** e ricaricarlo.  
- oppure -
- Mettere la tosatrice ad accumulatore FAV5 CL/FORTIS **2** nel pozzetto **10** del caricabatterie **4** e ricaricarla.

L'indicatore della condizione di carica **7** o **9** si illuminano in colore rosso.

Dopo il procedimento di carica l'indicatore della condizione di carica **7/9** si illuminano in colore verde e la tosatrice ad accumulatore FAV5 CL/FORTIS **2**/l'accumulatore a ioni di litio **8** sono pronti a funzionare.

## 4.2 Controllo del funzionamento della tosatrice ad accumulatore FAV5 CL/FORTIS

- Eseguire un controllo visivo.
- Verificare la posizione dell'interruttore.
- Inserire l'accumulatore, vedere Capitolo Sostituzione dell'accumulatore a ioni di litio.
- Inserire correttamente ed eventualmente oliare la testa di tosatura, vedere Capitolo Manipolazione della testa di tosatura.
- Tenere a portata di mano l'accumulatore a ioni di litio di riserva carico.
- Prima dell'uso pulire la tosatrice ad accumulatore FAV5 CL/FORTIS, vedere Capitolo Pulizia/Disinfezione.

## Tosatrice ad accumulatore FAV5 CL/FORTIS

### 4.3 Controllo del funzionamento del caricabatterie

- Eseguire un controllo visivo.
- Prima di collegare il prodotto alla rete di alimentazione:
  - Verificare che il cavo di allacciamento alla rete **5** non sia danneggiato.
  - Controllare che il prodotto non presenti danni (ad es. contatti dei pozzetti di carica deformati).
- Inserire il cavo di allacciamento alla rete **5** nella spina apparecchio della stazione di carica.
- Inserire la spina di rete nella presa della rete di alimentazione.
- Mettere l'accumulatore a ioni di litio **8** nel pozzetto **6** del caricabatterie **4** e ricaricarla.
  - oppure -
- Mettere la tosatrice ad accumulatore FAV5 CL/FORTIS **2** nel pozzetto **10** del caricabatterie **4** e ricaricarla.

L'indicatore della condizione di carica **7** o **9** si illuminano in colore rosso.

Dopo il procedimento di carica l'indicatore della condizione di carica **7/9** si illuminano in colore verde e la tosatrice ad accumulatore FAV5 CL/FORTIS **2**/l'accumulatore a ioni di litio **8** sono pronti a funzionare.

Il prodotto è pronto a funzionare.

### 4.4 Manipolazione della testa di tosatura

#### 4.4.1 Affilatura dei pettini

*Nota*

*Per affilare i pettini rivolgersi all'Assistenza Tecnica, vedere Capitolo Assistenza tecnica.*

#### 4.4.2 Sostituzione della testa di tosatura



**AVVERTENZA**

**Pericoli di lesioni causate dai pettini taglienti!**

- **Maneggiare la testa di tosatura della tosatrice FAV5 CL/FORTIS con estrema cautela.**

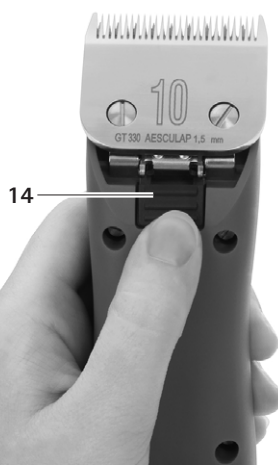


Fig. 3

- Per disattivare la tosatrice FAV5 CL/FORTIS premere l'interruttore di accensione/spengimento **11**.
- Premere il bloccaggio della testa di tosatura **14**, vedere Fig. 3.



Fig. 4

- Aprire la testa di tosatura **12** tirandola in avanti, vedere Fig. 4.
- Rimuovere la testa di tosatura **12**.
- Pulire la cerniera delle lame spazzolandola con un pennello.
- Inserire la testa di tosatura **12** sulla cerniera delle lame.
- Collegare la linea di allacciamento alla rete della tosatrice FAV5 CL/FORTIS.
- Premere l'interruttore di accensione/spengimento **11**.
- Spingere leggermente la testa di tosatura **12** nella direzione della tosatrice FAV5 CL/FORTIS.  
La testa di tosatura **12** scatta in posizione con un rumore percettibile.
- Accertarsi che la testa di tosatura **12** sia correttamente posizionata sulla tosatrice ad accumulatore FAV5 CL/FORTIS.

#### 4.4.3 Oliatura della testa di tosatura

- Pulire pettine e contropettine con un panno o un pennello morbido, assicurandosi che gli spazi interdentali siano ben puliti.
- Oliare leggermente pettine e contropettine con olio speciale per teste di tosatura GT604.

#### 4.4.4 Sostituzione dell'accumulatore a ioni di litio

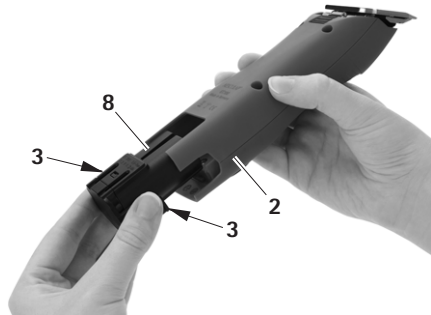


Fig. 5

- Tener ferma la tosatrice ad accumulatore FAV5 CL/FORTIS **2** e premere gli sblocchi accumulatore **3**.
- Estrarre l'accumulatore a ioni di litio **8** dalla tosatrice ad accumulatore FAV5 CL/FORTIS **2**.
- Inserire l'accumulatore a ioni di litio **8** carico fino all'arresto nella tosatrice ad accumulatore FAV5 CL/FORTIS **2**.  
La tosatrice ad accumulatore FAV5 CL/FORTIS **2** è pronta per l'uso.

## Tosatrice ad accumulatore FAV5 CL/FORTIS

## 5. Preparazione sterile



- Danni o distruzioni del prodotto causati dalla pulizia/disinfezione automatica o la sterilizzazione!**
- ATTENZIONE** ➤ Pulire/disinfettare il prodotto solo manualmente.
- Non sterilizzare mai il prodotto.

## 5.1 Pulizia/Disinfezione

*Nota*

*Rispettare la normativa sullo smaltimento e l'igiene!*

## Pulizia/disinfezione manuale



**PERICOLO**

**Pericolo di scosse elettriche ed incendi!**

- Prima della pulizia staccare la spina dalla presa di rete.
- Accertarsi che nel prodotto non penetri alcun liquido.
- Dopo la pulizia/disinfezione aerare per minimo 1 minuto.



- Danni al prodotto causati da pulizie errate o da detergenti/disinfettanti non idonei!**
- ATTENZIONE** ➤ Per pulire le superfici usare i normali prodotti reperibili in commercio.
- Non immergere mai il prodotto in acqua o detergente.
  - Non introdurre liquidi nei pozzetti di carica.
  - Pulire i contatti dei pozzetti con la massima cura.

- Passare la scocca del prodotto con un telo non sfilacciante inumidito con un normale prodotto idoneo per la disinfezione per strofinamento.
- Se necessario, dopo il relativo tempo d'azione eliminare i residui di detergenti e disinfettanti con un telo non sfilacciante inumidito con acqua pulita.
- Per asciugare usare un telo non sfilacciante pulito.
- Pulire i contatti dei pozzetti con isopropanolo o alcool etilico ed un bastoncino cotonato. Non usare prodotti chimici che favoriscano la corrosione.
- Se necessario, ripetere la pulizia/disinfezione.

## 5.2 Controllo, cura e verifica

- Far raffreddare il prodotto a temperatura ambiente.
- Dopo ogni pulizia e disinfezione, verificare che il prodotto sia pulito, perfettamente funzionante e non danneggiato.
- Se necessario oliare la testa di tosatura, vedere Capitolo Oliatura della testa di tosatura.
- Controllare che il prodotto non presenti danni, rumori da funzionamento anomali, surriscaldamenti eccessivi o vibrazioni troppo forti.
- Sottoporre la testa di taglio a un controllo mirante ad escludere che i taglienti siano rotti, danneggiati e smussi.
- Se il prodotto è danneggiato, scartarlo immediatamente.

## 6. Manutenzione

Per garantire un funzionamento affidabile, Aesculap raccomanda una manutenzione annuale.

### Indirizzi dei centri assistenza

Albert Kerbl GmbH

Felizenzell 9

84428 Buchbach / Germany

Phone: +49 (0) 8086 933-100

Fax: +49 (0) 8086 933-500

E-Mail: [info@kerbl.com](mailto:info@kerbl.com)

[www.kerbl.com](http://www.kerbl.com)

Gli altri indirizzi dell'assistenza possono essere richiesti all'indirizzo predetto.

## Tosatrice ad accumulatore FAV5 CL/FORTIS

## 7. Identificazione ed eliminazione dei guasti

## 7.1 Tosatrice ad accumulatore FAV5 CL/FORTIS

Anomalia	Identificazione	Causa	Rimedio
La tosatrice ad accumulatore FAV5 CL/FORTIS non si avvia	Controllare la posizione dell'interruttore	Accumulatore a ioni di litio non caricato	Caricare l'accumulatore a ioni di litio
	-	Accumulatore a ioni di litio guasto	Inserire un nuovo accumulatore a ioni di litio
	-	Accumulatore a ioni di litio non inserito	Inserire un nuovo accumulatore a ioni di litio
La tosatrice ad accumulatore FAV5 CL/FORTIS si ferma	-	Accumulatore a ioni di litio disattivato dal circuito di protezione	Spegnere e riaccendere l'interruttore
	-	L'accumulatore a ioni di litio è vuoto	Inserire un nuovo accumulatore a ioni di litio
La tosatrice ad accumulatore FAV5 CL/FORTIS non si ricarica nella stazione di carica	Gli indicatori LED non si illuminano	-	vedere Capitolo Carica-batterie e accumulatore a ioni di litio

## 7.2 Caricabatterie e accumulatore a ioni di litio

Anomalia	Identificazione	Causa	Rimedio
Caricabatterie non funzionante	Gli indicatori LED non si illuminano	Cavo di allacciamento alla rete non inserita	Inserire il cavo di allacciamento alla rete nella spina apparecchio della stazione di carica e nella presa della rete di alimentazione
	Accumulatore a ioni di litio non caricato	Cavo di allacciamento alla rete guasto	Sostituire il cavo di allacciamento alla rete
Caricabatterie guasto		Far riparare il prodotto dal produttore	
L'accumulatore a ioni di litio non è caricato	Accumulatore a ioni di litio inserito, l'indicatore della condizione di carica non si illumina	Contatti del caricabatterie sporchi o danneggiati	Pulire i contatti nel pozzetto, vedere Capitolo Pulizia/Disinfezione oppure farli riparare dal produttore
		Accumulatore a ioni di litio guasto	Far riparare l'accumulatore a ioni di litio dal produttore
		Caricabatterie guasto	Far riparare il caricabatterie dal produttore
		Durante il procedimento di carica nell'accumulatore a ioni di litio è rilevata una temperatura eccessiva	Togliere l'accumulatore a ioni di litio dal pozzetto, lasciarlo raffreddare e ricominciare il procedimento di carica. Se l'anomalia si ripresenta far riparare l'accumulatore presso il produttore
		Anomalia nella ricarica oppure accumulatore a ioni di litio guasto	Estrarre l'accumulatore a ioni di litio dal pozzetto e ripetere il procedimento di carica, eventualmente in un altro pozzetto. Se l'anomalia si ripresenta Far riparare l'accumulatore a ioni di litio dal produttore



## **8. Assistenza tecnica**

Eventuali modifiche delle attrezzature medico-chirurgiche possono comportare il decadere dei diritti di garanzia e delle omologazioni.

### **Indirizzi dei centri assistenza**

Albert Kerbl GmbH

Felizenzell 9

84428 Buchbach / Germany

Phone: +49 (0) 8086 933-100

Fax: +49 (0) 8086 933-500

E-Mail: [info@kerbl.com](mailto:info@kerbl.com)

[www.kerbl.com](http://www.kerbl.com)

Gli altri indirizzi dell'assistenza possono essere richiesti all'indirizzo predetto.



## 9. Accessori/Ricambi

Cod. art.	Esecuzione	Cavi di rete	Accumula- tore a ioni di litio	Stazione di carica	Tosatrice ad accumula- tore	Accessori
GT306/ GT380	Europa tranne Gran Bretagna	<b>TA012170</b> <b>Spina piatta</b> <b>europea, nera,</b> <b>L=1,8 m</b>	GT201	GT200880	GT300/GT380 non confezionata	GT604800 Oliatore
GT306G/ GT380G	Gran Bretagna	<b>TA012169</b> <b>Spina GB, nera,</b> <b>L=1,8 m</b>	GT201	GT200880	GT300/GT380 non confezionata	GT604800 Oliatore
GT306J/ GT380J	Giappone, Messico 110-125 V	<b>TA012168</b> <b>Spina apparec-</b> <b>chio a 2 pin,</b> <b>nera,</b> <b>L=1,8 m</b>	GT201	GT200880	GT300/GT380 non confezionata	GT604800 Oliatore
GT306K/ GT380K	USA	<b>TA012168</b> <b>Spina apparec-</b> <b>chio a 2 pin,</b> <b>nera,</b> <b>L=1,8 m</b>	GT201	GT200880	GT300/GT380 non confezionata	GT604800 Oliatore



## Tosatrice ad accumulatore FAV5 CL/FORTIS

### 10. Specifiche tecniche

#### 10.1 Tosatrice ad accumulatore FAV5 CL/FORTIS

Modello di apparecchio	GT300/GT380
Cadenza	2 300 1/min
Tensione di carica/uscita	max. 8,4 V
Corrente di carica/uscita	max. 1,2 A
Peso (senza testa di tosatura e accumulatore)	385 g
Peso (con testa di tosatura e accumulatore)	450 g
EN 60335-1, EN 60335-2-29	


#### 10.2 Caricabatterie

Modello di apparecchio	GT203
Intervalli di tensione di rete (corrente assorbita)	100-240 V
Frequenza	50-60 Hz
Tensione di carica/uscita	max. 8,4 V
Corrente di carica/uscita	max. 1,2 A
Peso	495 g
Marchio di prova	CE, UL

#### 10.3 Accumulatore a ioni di litio

Modello di apparecchio	GT201
Tipo di pila	Li
Tensione continua	7.4 V
Capacità	circa 1,2 Ah
Durata della carica	50 min $\pm$ 5 min


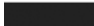
#### 10.4 Dichiarazione di conformità

	Dichiariamo, sotto nostra esclusiva responsabilità, che questo prodotto è conforme alle seguenti norme o documenti normativi: 2004/108/CE Direttiva EMV: DIN EN 60335-1 DIN EN 60335-2-8 Sicurezza degli apparecchi elettrici d'uso domestico e similare - Requisiti generali - per gli apparecchi per la cura della pelle e dei capelli Aesculap Suhl GmbH
---	--

## 11. Smaltimento

Gli elettrodomestici, gli accessori e l'imballo devono essere conferiti ad un impianto di riciclaggio ecocompatibile.

### 11.1 Soltanto per i paesi CE

 	<p>Non gettare gli elettrodomestici nei rifiuti domestici!</p> <p>In ottemperanza alla Direttiva Europea 2012/19/EU sui rifiuti da apparecchiature elettriche ed elettroniche e la relativa attuazione nell'ambito della legislazione nazionale, gli elettrodomestici giunti a fine vite devono essere raccolti separatamente e conferiti ad un impianto di riciclaggio ecocompatibile.</p>
--	---

### 11.2 Accumulatori a ioni di litio

Non gettare gli accumulatori nei rifiuti domestici, né in fiamme o acqua. Gli accumulatori guasti o esausti devono essere raccolti, riciclati o smaltiti in maniera ecologicamente corretta ai sensi della direttiva 2006/66/CE.

## 12. 2 anni di garanzia

Gentile cliente,  
molte grazie per aver scelto un prodotto della nostra azienda.

Il nome Aesculap è da decenni sinonimo di qualità controllata e servizio di altissimo livello. Ai nostri clienti offriamo prodotti innovativi e potenti. Aesculap produce apparecchi di grande valore e le garantisce l'utilizzo di materiali di alta qualità e una produzione accurata. Desideriamo ricordarle che non ci assumiamo responsabilità alcuna per i vizi materiali se tali vizi derivano da utilizzo non conforme, usura normale o dal fatto che il prodotto venga usato in modo inadeguato o se vengono impiegati prodotti esterni non adeguati o non perfettamente funzionanti.

I componenti normalmente sottoposti ad usura e per i quali non ci assumiamo perciò alcuna responsabilità, sono l'accumulatore e la testa di taglio. Allo stesso modo fanno eccezione i vizi materiali che non influiscono sul funzionamento o lo fanno in modo non determinante.



Qualora fossimo responsabili in base alla garanzia, ci riserviamo di riparare o sostituire il prodotto.

Accuscheermachine FAV5 CL/FORTIS

**Legende**

- 1 Onderplaat
- 2 Accuscheermachine FAV5 CL/FORTIS
- 3 Accu-ontgrendeling
- 4 Lader
- 5 Netaansluitkabel (met apparaatstekker)
- 6 Laadschacht (voor Li-ion-accu)
- 7 Ladingsindicator (voor Li-ion-accu)
- 8 Li-ion-accu
- 9 Ladingsindicator (voor accuscheermachine FAV5 CL/FORTIS)
- 10 Ladingsindicator (voor accu-scheermachine FAV5 CL/FORTIS)
- 11 Aan/Uit-schakelaar
- 12 Scheerkop

**Symbolen op het product**

	Volg de gebruiksaanwijzing
	Aanduiding van elektrische en elektronische apparaten volgens de richtlijn 2012/19/EU (AEEA), zie Paragraaf Verwijdering

**Inhoudsopgave**

- 1. Veilig gebruik .....83
- 2. Beschrijving van het apparaat .....83
- 2.1 Leveringsomvang .....83
- 2.2 Benodigde componenten voor het gebruik ...84
- 2.3 Gebruiksdoel accuscheermachine FAV5 CL/FORTIS .....84
- 2.4 Gebruiksdoel lader GT203/Li-ion-accu GT201 .....84
- 2.5 Werking accuscheermachine FAV5 CL/FORTIS .....84
- 2.6 Werking lader GT203/Li-ion-accu GT201 .....84

- 2.6.1 Laadprincipe ..... 84
- 2.6.2 Laadduur..... 84
- 3. Voorbereiding en opstelling .....85
- 4. Werken met de accuscheermachine FAV5 CL/FORTIS, de lader GT203/Li-ion-accu GT201 .....85
- 4.1 Opstellen .....85
- 4.1.1 Accessoires aansluiten..... 85
- 4.1.2 Scheerkop monteren ..... 86
- 4.1.3 Lader aansluiten/Li-ion-accu laden..... 86
- 4.2 Functietest accuscheermachine FAV5 CL/FORTIS .....87
- 4.3 Functietest lader .....88
- 4.4 Omgang met de scheerkop .....88
- 4.4.1 Snijplaat slijpen..... 88
- 4.4.2 Scheerkop verwisselen..... 88
- 4.4.3 Scheerkop smeren..... 89
- 4.4.4 Li-ion-accu vervangen..... 89
- 5. Reiniging en sterilisatie .....90
- 5.1 Reiniging/desinfectie .....90
- 5.2 Controle, onderhoud en inspectie .....91
- 6. Onderhoud .....91
- 7. Opsporen en verhelpen van fouten .....92
- 7.1 Accuscheermachine FAV5 CL/FORTIS .....92
- 7.2 Lader en Li-ion-accu .....93
- 8. Technische dienst .....94
- 9. Accessoires/Reserveonderdelen .....95
- 10. Technische specificaties .....96
- 10.1 Accuscheermachine FAV5 CL/FORTIS .....96
- 10.2 Lader .....96
- 10.3 Li-ion-accu .....96
- 10.4 Verklaring van conformiteit .....96
- 11. Verwijdering .....97
- 11.1 Alleen voor EU-landen .....97
- 11.2 Li-ion-accu's .....97
- 12. 2 Jaar garantie .....97

# 1. Veilig gebruik



**Levensgevaar door elektrische schok!**

- **Open dit product niet (tenzij om een accu te vervangen).**
- **Sluit dit product uitsluitend aan op een voedingsnet met rand-aarde.**
  
- Controleer de juiste werking en de goede staat van het product voordat u het gebruikt.
- Bewaar de lader en de Li-ion-accu's bij kamertemperatuur.
- Houd de lader en de Li-ion-accu's droog.
- Laad de Li-ion-accu's voor het eerste gebruik.
- Volg de aanwijzingen met betrekking tot elektromagnetische compatibiliteit (EMC).
- Om beschadiging ten gevolge van een onoordeelkundige montage of foutief gebruik te vermijden en de garantie en aansprakelijkheid niet in het geding te brengen:
  - Gebruik dit product enkel volgens deze gebruiksaanwijzing.
  - Volg de veiligheidsinformatie en de onderhoudsinstructies.
  - Accessoires die niet in deze gebruiksaanwijzing worden vermeld, mogen enkel met toestemming van de fabrikant worden gebruikt.
- Dit product en de accessoires mogen uitsluitend worden gebruikt door personen die over de daartoe benodigde opleiding, kennis en ervaring beschikken.
- Bewaar deze gebruiksaanwijzing op een plaats die toegankelijk is voor de gebruiker.
- Leef de toepasselijke normen na.
- Zorg ervoor dat de elektrische installatie op de plaats van gebruik aan de IEC-eisen voldoet.
- Trek de voedingskabel altijd aan de stekker uit het stopcontact en nooit aan de kabel zelf.

- Gebruik dit product niet in een explosiegevaarlijke ruimte.
- Gebruik geen beschadigde of defecte producten. Houd beschadigde producten onmiddellijk apart.

## Aanwijzing

*Het apparaat kan worden gebruikt door kinderen vanaf 8 jaar oud en door personen met verminderde fysieke, sensorische of mentale capaciteiten of met gebrek aan ervaring en kennis. Wel moet er dan toezicht worden gehouden of moeten deze personen instructies ontvangen met betrekking tot het veilige gebruik van dit apparaat en de daaruit voortvloeiende gevaren.*

- Laat kinderen niet met dit apparaat spelen.
- Reiniging en onderhoud mogen niet zonder toezicht door kinderen worden uitgevoerd.

# 2. Beschrijving van het apparaat

## 2.1 Leveringsomvang

Benaming	Art.nr.
Accuscheermachine FAV5 CL/FORTIS	GT300/GT380
Li-ion-accu	GT201
Lader	GT203
Netaansluitkabel (met apparaatstekker)	zie Paragraaf Accessoires/ Reserveonderdelen
Gebruiksaanwijzing	TA013440

## Opmerking

*De scheerkop GT330 #10 (VS+GB) van accuscheermachine FAV5 CL/FORTIS wordt standaard meegeleverd. Afhankelijk van de toepassing kunnen er verschillende scheerkoppen worden gebruikt!*

## Accuscheermachine FAV5 CL/FORTIS

### 2.2 Benodigde componenten voor het gebruik

- Accuscheermachine FAV5 CL/FORTIS
- Scheerkop
- Lader
- Netaansluitkabel (met apparaatstekker)
- Li-ion-accu

### 2.3 Gebruiksdoel accuscheermachine FAV5 CL/FORTIS

#### *Aanwijzing*

*Het apparaat is enkel bedoeld om dierenhaar te scheren.*

De accuscheermachine FAV5 CL/FORTIS wordt gebruikt om kleine dieren te scheren.

De accuscheermachine FAV5 CL/FORTIS moet afhankelijk van het gebruik, worden voorzien van een scheerkop.

### 2.4 Gebruiksdoel lader GT203/Li-ion-accu GT201

De lader GT203 wordt gebruikt om de accuscheermachine FAV5 CL/FORTIS en de Li-ion-accu te laden. Hij beschikt over een laadschacht voor beide componenten.

### 2.5 Werking accuscheermachine FAV5 CL/FORTIS

De accuscheermachine FAV5 CL/FORTIS wordt ingeschakeld door de Aan/Uit-schakelaar omhoog te zetten en uitgeschakeld door de Aan/Uit-schakelaar omlaag te zetten.

### 2.6 Werking lader GT203/Li-ion-accu GT201

De lader GT203 is voorzien voor een netspanningsbereik van 100 V tot 240 V en van 50 Hz tot 60 Hz.

Zodra de netstekker in het stopcontact wordt gestoken is de lader GT203 klaar voor gebruik.

De lader GT203 beschikt over twee laadschachten. In de eerste laadschacht wordt de accuscheermachine FAV5 CL/FORTIS geladen en in de tweede de Li-ion-accu.

Bij iedere laadschacht hoort een afzonderlijk indicatieveld op het frontpaneel van de lader.

Zodra er een Li-ion-accu in het laadstation wordt gestoken, start het laden automatisch.

De laadduur in de laadschachten is afhankelijk van de ladingstoestand en de capaciteit van de Li-ion-accu.

#### 2.6.1 Laadprincipe

De Li-ion-accu's worden opgeladen door middel van constante stroomimpulsen.

De ladingstoestand van de Li-ion-accu wordt tijdens het laden continu bewaakt. Door de bewaking van de laadcurve wordt een lading van 100% zonder overlapping gegarandeerd.

Voorts worden de accutemperatuur en de laadduur bewaakt.

De lader bewaakt de toestand van de accu en duidt deze aan door middel van twee ladingsindicatoren.

Led-lampjes:

- groen = accu vol
- rood = accu leeg

#### 2.6.2 Laadduur

Wanneer de maximale laadduur is bereikt, wordt het laadproces afgebroken.

De laadduur bedraagt ca. 50 min.

### 3. Voorbereiding en opstelling

Wanneer de volgende voorschriften niet worden nageleefd, wijst Aesculap elke aansprakelijkheid van de hand.

- Bij de opstelling en het gebruik van dit product dient u de volgende voorschriften na te leven:
  - de nationale installatie- en gebruikersvoorschriften,
  - de nationale voorschriften voor brand- en explosiepreventie.
  - Gebruiksaanwijzingen conform de IEC-/VDE-bepalingen.



#### **Brand- en explosiegevaar!**

- **Gebruik dit product niet in een explosiegevaarlijke ruimte.**



VOORZICHTIG

#### **Slechte werking of beschadiging van het product door onoordeelkundige opstelling!**

- **Stel het product niet bloot aan direct zonlicht of vocht.**
- **Dek de beluchtungspleuf van het product niet af.**
- **De aangesloten netspanning moet tussen 100 V en 240 V liggen, bij een netfrequentie van 50 Hz tot 60 Hz.**
- **Zorg ervoor dat het stopcontact van het voedingsnet waarop het product wordt aangesloten goed toegankelijk is.**

### 4. Werken met de accu- machine FAV5 CL/FORTIS, de lader GT203/Li-ion-accu GT201

#### 4.1 Opstellen

##### 4.1.1 Accessoires aansluiten

Combinaties van accessoires die niet in deze gebruiksaanwijzing worden vermeld, mogen uitsluitend worden gebruikt als ze uitdrukkelijk voor de beoogde toepassing bestemd zijn. De vermogenskenmerken en veiligheidseisen mogen daarbij niet nadelig worden beïnvloed.

## Accuscheermachine FAV5 CL/FORTIS

### 4.1.2 Scheerkop monteren



WAARSCHUWING

**Gevaar voor verwonding door scherpe snijplaten!**

- **Behandel de scheerkop van scheermachine FAV5 CL/FORTIS voorzichtig.**

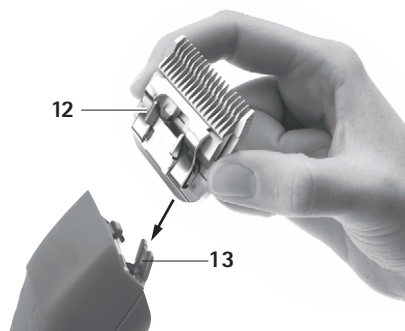
#### Opmerking

De scheerkop GT330 #10 (VS+GB) van scheermachine FAV5 CL/FORTIS wordt standaard meegeleverd. Afhankelijk van de toepassing kunnen er verschillende scheerkoppen worden gebruikt!



Afb. 1

- Bij gesloten messcharnier: Klap het messcharnier 13 open met de schroevendraaier, zie Afb. 1.



Afb. 2

- Steek de scheerkop 12 op het geopende messcharnier 13, zie Afb. 2.
- Druk op de Aan/Uit-schakelaar 11.
- Druk de scheerkop 12 licht naar de scheermachine FAV5 CL/FORTIS toe, zie Afb. 2. De scheerkop 12 klikt hoorbaar vast.
- Controleer of de scheerkop 12 correct op de scheermachine FAV5 CL/FORTIS zit.

### 4.1.3 Lader aansluiten/Li-ion-accu laden



WAARSCHUWING

**Brandgevaar bij kortsluiting van de polen door vloeistoffen of metalen onderdelen!**

- **Voorkom kortsluiting van de Li-ion-accu.**



WAARSCHUWING

**Gevaar voor verwondingen en materiële schade door beschadigde Li-ion-accu's!**

- **Controleer de Li-ionaccu's voor gebruik op beschadigingen.**
- **Beschadigde Li-ionaccu's niet gebruiken of laden.**



VOORZICHTIG

**Afname van vermogen/prestaties van de ontladen Li-ion-accu door langdurige bewaring!**

- **Berg de Li-ion-accu enkel volledig geladen op voor langere tijd en laad hem maandelijks bij.**





VOORZICHTIG

Vernieling van het product, de laadschacht of de Li-ion-accu door een verkeerd accutype in de laadschacht te steken!

- Steek de Li-ion-accu's enkel in de daarvoor voorziene laadschachten.
- Breng de Li-ion-accu's in de juiste positie aan.

#### Opmerking

Schakel de accuscheermachine FAV5 CL/FORTIS uit, alvorens deze te laden!

#### Opmerking

De Li-ion-accu's warmen licht op tijdens het laden.

#### Opmerking

Trek de stekker van de netaansluitkabel uit het stopcontact, wanneer u niet met de lader werkt!

- Lader **4** aansluiten: Steek de apparaatstekker van de netaansluitkabel **5** in de lader **4**.
- Steek de netstekker van de netaansluitkabel **5** in het stopcontact.
- Zet de Li-ion-accu **8** in de laadschacht **6** van de lader **4** en laad hem op.  
- of -
- Zet de accuscheermachine FAV5 CL/FORTIS **2** in de laadschacht **10** van de lader **4** en laad hem op.  
De ladingsindicator **7** of **9** licht rood op.  
Na het laden brandt de ladingsindicator **7/9** groen en is de accuscheermachine FAV5 CL/FORTIS **2**/de Li-ion-accu **8** klaar voor gebruik.

## 4.2 Functietest accuscheermachine FAV5 CL/FORTIS

- Voer een visuele inspectie uit.
- Controleer de stand van de schakelaar.
- Steek de accu erop, zie Paragraaf Li-ion-accu vervangen.
- Breng de scheerkop correct aan en smeer deze indien nodig, zie Paragraaf Omgang met de scheerkop.
- Leg een geladen Li-ion-reserveaccu klaar.
- Reinig de accuscheermachine FAV5 CL/FORTIS voor het gebruik, zie Paragraaf Reiniging/desinfectie.

## Accuscheermachine FAV5 CL/FORTIS

### 4.3 Functietest lader

- Voer een visuele inspectie uit.
- Alvorens het product op het voedingsnet aan te sluiten:
  - Controleer de netaansluitkabel **5** op eventuele beschadigingen.
  - Controleer het product op eventuele beschadigingen (bijv. contacten van de laadschachten controleren op kromgebogen contacten).
- Steek de netaansluitkabel **5** in de apparaatstekker van de lader.
- Steek de netstekker in het stopcontact van het voedingsnet.
- Zet de Li-ion-accu **8** in de laadschacht **6** van de lader **4** en laad hem op.
  - of -
- Zet de accuscheermachine FAV5 CL/FORTIS **2** in de laadschacht **10** van de lader **4** en laad hem op. De ladingsindicator **7** of **9** licht rood op. Na het laden brandt de ladingsindicator **7/9** groen en is de accuscheermachine FAV5 CL/FORTIS **2**/de Li-ion-accu **8** klaar voor gebruik. Het product is klaar voor gebruik.

### 4.4 Omgang met de scheerkop

#### 4.4.1 Snijplaat slijpen

##### Opmerking

Laat de snijplaat slijpen door de Technische Service, zie Paragraaf Technische dienst.

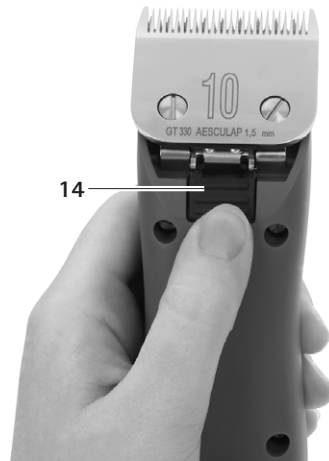
#### 4.4.2 Scheerkop verwisselen



WAARSCHUWING

**Gevaar voor verwonding door scherpe snijplaten!**

- Behandel de scheerkop van scheermachine FAV5 CL/FORTIS voorzichtig.



Afb. 3

- Druk op de Aan/Uit-schakelaar **11** om accuscheermachine FAV5 CL/FORTIS uit te schakelen.
- Druk op de scheerkop-vergrendeling **14**, zie Afb. 3.



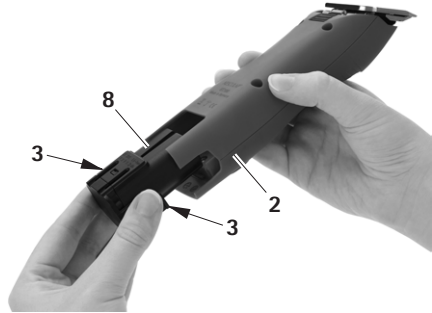
Afb. 4

- Klap de scheerkop **12** naar voren open, zie Afb. 4.
  - Verwijder de scheerkop **12**.
  - Maak het opengeklapte messcharnier schoon met een borsteltje.
  - Steek de scheerkop **12** op het messcharnier.
  - Steek de voedingskabel van de accuscheermachine FAV5 CL/FORTIS in het stopcontact.
  - Druk op de Aan/Uit-schakelaar **11**.
  - Druk de scheerkop **12** licht naar de accuscheermachine FAV5 CL/FORTIS toe.
- De scheerkop **12** klikt hoorbaar vast.
- Controleer of de scheerkop **12** correct op de accuscheermachine FAV5 CL/FORTIS zit.

#### 4.4.3 Scheerkop smeren

- Maak de bovenste en onderste snijplaat schoon met een zachte doek of borsteltje. Let erop dat de spleten tussen de tanden goed schoon worden.
- Smeer de bovenste en onderste snijplaat met een beetje speciale olie voor scheerkoppen GT604.

#### 4.4.4 Li-ion-accu vervangen



Afb. 5

- Houd de accuscheermachine FAV5 CL/FORTIS **2** vast en druk op de accu-ontgrendelingen **3**.
  - Trek de Li-ion-accu **8** uit de accu-scheermachine FAV5 CL/FORTIS **2**.
  - Steek de geladen Li-ion-accu **8** tot de aanslag in de accuscheermachine FAV5 CL/FORTIS **2**.
- De accuscheermachine FAV5 CL/FORTIS **2** is klaar voor gebruik.

## Accuscheermachine FAV5 CL/FORTIS

### 5. Reiniging en sterilisatie



VOORZICHTIG

Beschadiging of vernieling van het product door machinale reiniging/desinfectie of sterilisatie!

- Reinig/desinfecteer het product uitsluitend handmatig.
- Het product nooit steriliseren.



VOORZICHTIG

Beschadiging van het product door verkeerde reiniging of gebruik van verkeerd reinigings-/desinfectiemiddel!

- Voer de oppervlaktereiniging uit met in de handel verkrijgbare reinigingsmiddelen.
- Leg het product nooit in water of reinigingsmiddel.
- Laat geen vloeistof in de laadschacht lopen.
- Reinig de contacten in de laadschachten uiterst zorgvuldig.

#### 5.1 Reiniging/desinfectie

*Opmerking*

*Volg de voorschriften inzake verwijdering en hygiëne!*

##### Handmatig reiniging/desinfectie



GEVAAR

**Gevaar voor elektrische schok en brand!**

- De netstekker voor het reinigen uit het stopcontact verwijderen.
- Zorg ervoor dat er geen vloeistof in het product binnendringt.
- Laat het product na de reiniging/desinfectie minstens 1 minuut luchten.

- Wis de behuizing van het product schoon met een pluisvrije doek, bevochtigd met een in de handel verkrijgbaar desinfectiemiddel.
- Wis de resten van het reinigings- en desinfectiemiddel na de inwerkingstijd af met een pluisvrije doek, bevochtigd met schoon water.
- Droog het product af met een schone, pluisvrije doek.
- Reinig de contacten in de laadschachten met isopropanol of ethylalcohol en een wattenstaafje. Gebruik geen chemicaliën die corrosie bevorderen.
- Herhaal de reiniging/desinfectie, indien nodig.

## 5.2 Controle, onderhoud en inspectie

- Laat het product afkoelen tot kamertemperatuur.
- Controleer het product na elke reiniging en desinfectie op: reinheid, goede werking en beschadiging.
- Smeer de scheerkop indien nodig, zie Paragraaf Scheerkop smeren.
- Inspecteer het product op beschadigingen, abnormale geluiden, buitensporige verhitting of te sterke trillingen.
- Inspecteer de scheerkop op afgebroken, beschadigde en botte sneden.
- Houd beschadigde producten onmiddellijk apart.

## 6. Onderhoud

Om een betrouwbare werking te garanderen, beveelt Aesculap een jaarlijks onderhoud aan.

### Service-adressen

Albert Kerbl GmbH

Felizenzell 9

84428 Buchbach / Germany

Phone: +49 (0) 8086 933-100

Fax: +49 (0) 8086 933-500

E-Mail: [info@kerbl.com](mailto:info@kerbl.com)

[www.kerbl.com](http://www.kerbl.com)

Andere service-adressen zijn verkrijgbaar op het bovengenoemde adres.

## Accuscheermachine FAV5 CL/FORTIS

## 7. Opsporen en verhelpen van fouten

## 7.1 Accuscheermachine FAV5 CL/FORTIS

Storing	Opsporing	Oorzaak	Oplossing
Accuscheermachine FAV5 CL/FORTIS loopt niet aan	Stand schakelaar controleren	Li-ion-accu niet geladen	Li-ion-accu laden
	-	Li-ion-accu defect	Nieuwe Li-ion-accu plaatsen
	-	Li-ion-accu niet geplaatst	Nieuwe Li-ion-accu plaatsen
Accuscheermachine FAV5 CL/FORTIS blijft stilstaan	-	Li-ion-accu uitgeschakeld door beveiligingsschakeling	Schakelaar uit- en opnieuw inschakelen
	-	Li-ion-accu is leeg	Nieuwe Li-ion-accu plaatsen
Accuscheermachine FAV5 CL/FORTIS wordt niet opgeladen in het laadstation	Led-lampjes branden niet	-	zie Paragraaf Lader en Li-ion-accu

## 7.2 Lader en Li-ion-accu

Storing	Opsporing	Oorzaak	Oplossing
Lader werkt niet	Led-lampjes branden niet	Netaansluitkabel niet ingestoken	Netaansluitkabel in de apparaatstekker aan de lader en in het stopcontact van het voedingsnet steken
	Li-ion-accu niet geladen	Netaansluitkabel defect	Netaansluitkabel vervangen
Lader defect		Product door de fabrikant laten repareren	
Li-ion-accu wordt niet geladen	Li-ion-accu ingestoken, ladingsindicator brandt niet	Contacten van de lader vuil of beschadigd	Contacten in de laadschacht reinigen, zie Paragraaf Reiniging/desinfectie of laten repareren door de fabrikant
		Li-ion-accu defect	Li-ion-accu door de fabrikant laten repareren
		Lader defect	Lader door de fabrikant laten repareren
		Tijdens het laden wordt oververhitting van de Li-ion-accu gedetecteerd	Li-ion-accu uit de laadschacht halen, laten afkoelen en laadproces opnieuw starten. Indien storing zich herhaalt, accu door de fabrikant laten repareren
		Laadstoring of Li-ion-accu defect	Li-ion-accu uit de laadschacht halen en laadproces herhalen, evt. in een andere laadschacht. Als de storing opnieuw optreedt Li-ion-accu door de fabrikant laten repareren

## Accuscheermachine FAV5 CL/FORTIS

## 8. Technische dienst

Wijzigingen aan medischtechnische hulpmiddelen kunnen leiden tot het verlies van elke aanspraak op garantie/vrijwaring en het intrekken van eventuele goedkeuringen.

### Service-adressen

Albert Kerbl GmbH

Felizenzell 9

84428 Buchbach / Germany

Phone: +49 (0) 8086 933-100

Fax: +49 (0) 8086 933-500

E-Mail: [info@kerbl.com](mailto:info@kerbl.com)

[www.kerbl.com](http://www.kerbl.com)

Andere service-adressen zijn verkrijgbaar op het bovengenoemde adres.



## 9. Accessoires/Reserveonderdelen

Art.nr.	Uitvoering	Voedingskabel	Li-ion-accu	Laadstation	Accu-scheermachine	Accessoires
GT306/ GT380	Europa buiten Groot- Brittannië	<b>TA012170</b> Europa vlakke- stekker, zwart, L=1,8 m	GT201	GT200880	GT300/GT380 onverpakt	GT604800 Oliebusje
GT306G/ GT380G	Groot- Brittannië	<b>TA012169</b> GB-stekker, zwart, L=1,8 m	GT201	GT200880	GT300/GT380 onverpakt	GT604800 Oliebusje
GT306J/ GT380J	Japan, Mexico 110-125 V	<b>TA012168</b> 2-polige apparaat- stekker, zwart, L=1,8 m	GT201	GT200880	GT300/GT380 onverpakt	GT604800 Oliebusje
GT306K/ GT380K	VS	<b>TA012168</b> 2-polige apparaat- stekker, zwart, L=1,8 m	GT201	GT200880	GT300/GT380 onverpakt	GT604800 Oliebusje

## Accuscheermachine FAV5 CL/FORTIS

**10. Technische specificaties****10.1 Accuscheermachine FAV5 CL/FORTIS**

Toesteltype	GT300/GT380
Aantal slagen	2.300 1/min
Laad-/uitgangsspanning	max. 8,4 V
Laad-/uitgangsstroom	max. 1,2 A
Gewicht (zonder scheerkop en accu)	385 g
Gewicht (met scheerkop en accu)	450 g
EN 60335-1, EN 60335-2-29	


**10.2 Lader**

Toesteltype	GT203
Netspanningsbereik (stroomopname)	100-240 V
Frequentie	50-60 Hz
Laad-/uitgangsspanning	max. 8,4 V
Laad-/uitgangsstroom	max. 1,2 A
Gewicht	495 g
Keurmerken	CE, UL

**10.3 Li-ion-accu**

Toesteltype	GT201
Celtype	Li
Gelijkspanning	7,4 V
Capaciteit	ca. 1,2 Ah
Laadduur	50 min ±5 min

**10.4 Verklaring van conformiteit**

	<p>Wij verklaren, alleen de verantwoordelijkheid dragend, dat dit product in overeenstemming is met de volgende normen en normatieve documenten:</p> <p>2004/108/EGEMC-richtlijn:  DIN EN 60335-1  DIN EN 60335-2-8</p> <p>Veiligheid van huishoudelijke en soortgelijke elektrische toestellen</p> <ul style="list-style-type: none"> <li>- algemene vereisten</li> <li>- voor haarsnijmachines</li> </ul> <p>Aesculap Suhl GmbH</p>
---	---

## 11. Verwijdering

Elektrisch gereedschap, accessoires en verpakking moeten op een milieubewuste manier worden gerecycled.

### 11.1 Alleen voor EU-landen

	Elektrisch gereedschap hoort niet bij het huishoudelijk afval! Volgens de Europese Richtlijn 2012/19/EU inzake afgedankte elektrische en elektronische apparaten en de overeenkomstige nationale voorschriften moet afgedankt elektrisch gereedschap gescheiden worden verzameld en op een milieuverantwoorde wijze worden gerecycled.
---	---

### 11.2 Li-ion-accu's

Werp accu's niet bij het huishoudelijk afval, in vuur of in het water. Defecte of verbruikte accu's moeten worden ingezameld, gerecycled of op milieuvriendelijke wijze worden verwijderd volgens richtlijn 2006/66/EG.

## 12. 2 Jaar garantie

Beste klant,  
Hartelijk dank dat u voor een product van Aesculap hebt gekozen.

De naam Aesculap staat al decennialang borg voor bewezen kwaliteit en voortreffelijke service. Wij bieden onze klanten innovatieve producten die topprestaties garanderen. Aesculap produceert kwaliteitsapparaten, die met de grootste zorg worden gefabriceerd uit hoogwaardige materialen. Wij willen u er graag op wijzen dat wij niet aansprakelijk zijn voor gebreken aan onze producten, wanneer het gebrek wordt veroorzaakt door onoordeelkundig gebruik, normale slijtage of doordat het product onoordeelkundig wordt toegepast of niet-passende of niet-perfect functionerende producten van vreemde makelij worden ingezet. Onderdelen die gevoelig zijn voor slijtage en waarvoor wij om die reden niet aansprakelijk accepteren, zijn de accu en de scheerkop. Eveneens uitgesloten zijn gebreken die geen of nauwelijks invloed hebben op de waarde of goede werking van het product.



Indien wij in het kader van onze kwaliteitsgarantie de aansprakelijkheid aanvaarden, behouden wij ons voor het product te repareren of te vervangen.

## Batteridrivna klippmaskin FAV5 CL/FORTIS

### Legend

- 1 Klipp huvudshållare
- 2 Batteridrivna klippmaskin FAV5 CL/FORTIS
- 3 Batterispärr
- 4 Laddare
- 5 Nätanslutningsledning (med apparatkontakt)
- 6 Laddningsfack (för litiumjonbatteri)
- 7 Laddningsindikator (för litiumjonbatteri)
- 8 Litiumjonbatteri
- 9 Laddningsindikator (för batteridrivna klippmaskin FAV5 CL/FORTIS)
- 10 Laddningsfack (för batteridrivna klippmaskin FAV5 CL/FORTIS)
- 11 Strömbrytare
- 12 Klipp huvud

### Symboler på produktet

	Följ bruksanvisningen
	Märkning av elektriska och elektroniska produkter enligt direktiv 2012/19/EU (WEEE), se kapitel Avfallshantering

### Innehållsförteckning

1. Säker hantering .....	99
2. Apparatbeskrivning .....	99
2.1 Leveransbeskrivning .....	99
2.2 Komponenter som behövs för driften .....	100
2.3 Användningsområde för batteridrivna klippmaskin FAV5 CL/FORTIS .....	100
2.4 Användningsområde för laddare GT203/ litiumjonbatteri GT201 .....	100
2.5 Så fungerar den batteridrivna klippmaskinen FAV5 CL/FORTIS .....	100
2.6 Så fungerar laddare GT203/ litiumjonbatteri GT201 .....	100
2.6.1 Laddningsprincip .....	100
2.6.2 Laddningstid .....	100
3. Förberedelser och uppställning .....	101
4. Arbeta med den batteridrivna klippmaskinen FAV5 CL/ FORTIS, laddaren GT203/ litiumjonbatteri GT201 .....	101
4.1 Iordningställande .....	101
4.1.1 Anslutning av tillbehör .....	101
4.1.2 Sätta fast klipp huvudet .....	101
4.1.3 Ansluta laddaren/ladda litiumjonbatteriet .....	102
4.2 Funktionskontroll av den batteridrivna klippmaskinen FAV5 CL/FORTIS .....	103
4.3 Funktionskontroll av laddare .....	103
4.4 Hantering av klipp huvud .....	103
4.4.1 Slipa skärplatta .....	103
4.4.2 Byta klipp huvud .....	104
4.4.3 Olja klipp huvudet .....	104
4.4.4 Byta litiumjonbatterier .....	105
5. Förberedelser .....	105
5.1 Rengöring/desinficering .....	105
5.2 Kontroll, skötsel och provning .....	106
6. Underhåll .....	106
7. Identifiering och avhjälpan av fel .....	107
12.1 Batteridrivna klippmaskin FAV5 CL/FORTIS .....	107
7.1 Laddare och litiumjonbatteri .....	108
8. Teknisk service .....	109
13. Tillbehör/reservdelar .....	109
9. Tekniska data .....	110
9.1 Batteridrivna klippmaskin FAV5 CL/FORTIS .....	110
9.2 Laddare .....	110
9.3 Litiumjonbatteri .....	110
9.4 Försäkran om överensstämmelse .....	110
10. Avfallshantering .....	111
10.1 Endast för EU-länder .....	111
10.2 Litiumjonbatterier .....	111
11. 2 års garanti .....	111

# 1. Säker hantering



FARA

Livsfara på grund av elektriska stötar.

- **Öppna inte produkten (utom vid byte av batteri).**
- **Anslut produkten endast till ett elnät med skyddsjord.**
  
- Kontrollera att produkten är funktionsduglig och i föreskrivet skick innan den används.
- Förvara laddare och litiumjonbatterier vid rumstemperatur.
- Håll laddare och litiumjonbatterier torra.
- Ladda upp litiumjonbatterierna före första användningen.
- "Följ anvisningarna om elektromagnetisk kompatibilitet (EMC)".
- För att undvika skador till följd av icke fackmässig montering eller drift och inte riskera att garantin och tillverkanssvaret går förlorade:
  - Använd bara produkten enligt denna bruksanvisning.
  - Följ säkerhetsinformation och reparationsanvisningar.
  - Tillbehör som inte anges i bruksanvisningen får endast användas med tillverkarens medgivande.
- Produkten och tillbehören får användas endast av personer med erforderlig utbildning, kunskap eller erfarenhet.
- Förvara bruksanvisningen så att den är tillgänglig för användaren.
- Följ gällande standarder.
- Kontrollera att elinstallationen i lokalen uppfyller IEC-kraven.
- Lossa nätkabeln genom att dra i stickproppen, inte genom att dra i kabeln.

- Använd inte produkten i utrymmen med explosionsrisk.
- Använd inte produkten om den är skadad eller defekt. Sortera genast ut skadade produkter.

Obs

*Apparaten kan användas av barn från 8 års ålder och av personer med reducerade fysiska, sensoriska eller mentala förmågor eller brist på erfarenheter och kunskaper. Dock måste detta ske under uppsikt, eller om de utbildats i säker användning av apparaten och förstår de risker som finns.*

- Låt inte barn leka med apparaten.
- Rengöring och underhåll av apparaten får inte utföras av barn utan uppsikt.

## 2. Apparatbeskrivning

### 2.1 Leveransbeskrivning

Beteckning	Art.nr
Batteridrivna klippmaskin FAV5 CL/FORTIS	GT300/GT380
Litiumjonbatteri	GT201
Laddare	GT203
Nätanslutningsledning (med apparatkontakt)	se kapitel Tillbehör/reservdelar
Bruksanvisning	TA013440

Obs

*Klipp huvud GT330 #10 (USA+GB) till den batteridrivna klippmaskinen FAV5 CL/FORTIS medföljer i leveransen. Beroende på användningsområde kan olika klipp huvuden användas!*

## Batteridrivna klippmaskin FAV5 CL/FORTIS

### 2.2 Komponenter som behövs för drif- ten

- Batteridrivna klippmaskin FAV5 CL/FORTIS
- Klipphuvud
- Laddare
- Nätanslutningsledning (med apparatkontakt)
- Litiumjonbatteri

### 2.3 Användningsområde för batteridrivna klippmaskin FAV5 CL/FORTIS

Obs

*Apparaten är endast avsedd för klippning av pälsdjur.*

Den batteridrivna klippmaskinen FAV5 CL/FORTIS används för klippning av mindre djur.

Den batteridrivna klippmaskinen FAV5 CL/FORTIS måste användas med ett klipphuvud beroende på användningsområdet.

### 2.4 Användningsområde för laddare GT203/litiumjonbatteri GT201

Laddaren GT203 används för laddning av den batteridrivna klippmaskinen FAV5 CL/FORTIS och litiumjonbatteriet. Det finns ett laddningsfack vardera för de två komponenterna.

### 2.5 Så fungerar den batteridrivna klippmaskinen FAV5 CL/FORTIS

Den batteridrivna klippmaskinen FAV5 CL/FORTIS startas och stängs av genom att strömbrytaren skjuts uppåt respektive nedåt.

### 2.6 Så fungerar laddare GT203/litiumjonbatteri GT201

Laddaren GT203 är avsedd för nätspänningar från 100 V till 240 V och från 50 Hz till 60 Hz.

För att göras driftklart ansluts laddningsaggregatet GT203 till elnätet med nätanslutningskabeln.

Laddaren GT203 har två laddningsfack. I det första laddningsfacket laddas den batteridrivna klippmaskinen FAV5 CL/FORTIS och i det andra facket laddas litiumjonbatteriet.

Laddningsfacken är tilldelade var sitt indikatorfält på laddningsaggregatets framsida.

När ett litiumjonbatteri sticks in i laddningsstationen startar laddningen automatiskt.

Laddningstiden i laddningsfacken är beroende av litiumjonbatteriets laddningstillstånd och kapacitet.

#### 2.6.1 Laddningsprincip

Litiumjonbatteriet laddas med konstanta strömimpulser.

Litiumjonbatteriernas laddningstillstånd övervakas kontinuerligt under uppladdningen. Genom övervakningen av laddningskurvan säkerställs 100-procentig laddning utan överladdning.

Dessutom övervakas batteritemperaturen och laddningstiden.

Laddaren övervakar batteristatusen med två laddningsindikeringar.

LED-indikeringar:

- grön = batteri fullt
- röd = batteri tomt

#### 2.6.2 Laddningstid

När den maximala laddningstiden uppnås avbryts laddningen.

Laddningstiden är ca 50 min.

### 3. Förberedelser och uppställning

Om följande föreskrifter inte följs tar Aesculap inte på sig något ansvar.

- Iaktta följande vid uppställning och användning av produkten:
  - nationella installations- och användarföreskrifter,
  - de nationella föreskrifterna om brand- och explosionskydd.
  - användningsanvisningar enligt IEC-/VDE-bestämmelser.



**FARA**

**Brand- och explosionsrisk!**

- Använd inte produkten i utrymmen med explosionsrisk.



**OBSERVERA**

Risk för att funktionen försämras eller produkten skadas genom felaktig uppställning!

- Utsätt inte produkten för direkt solljus eller väta.
- Täck inte över produktens ventilationsöppningar.
- Anslut en nominell spänning på 100 V till 240 V och ett nätfrekvensområde på 50 Hz till 60 Hz.
- Kontrollera att vägguttaget som används för produktens strömförsörjning är fritt åtkomligt.

### 4. Arbeta med den batteridrivna klippmaskinen FAV5 CL/FORTIS, laddaren GT203/ litiumjonbatteri GT201

#### 4.1 Iordningställande

##### 4.1.1 Anslutning av tillbehör

Kombinationer av tillbehör som inte nämns i bruksanvisningen får användas endast om de uttryckligen är avsedda för den planerade användningen. De får inte inverka negativt på prestanda och säkerhetskrav.

##### 4.1.2 Sätta fast klipp huvudet



**WARNING**

Risk för personskador från de vassa skärplattorna!

- Hantera klipp huvudet till FAV5 CL/FORTIS försiktigt.

*Obs*

*Klipp huvud GT330 #10 (USA+GB) till klippmaskinen FAV5 CL/FORTIS medföljer i leveransen. Beroende på användningsområde kan olika klipp huvuden användas!*



Fig. 1

## Batteridrivna klippmaskin FAV5 CL/FORTIS

- Med stängt knivlock: Fäll upp knivlocket 13 med en skruvmejsel, se Fig. 1.

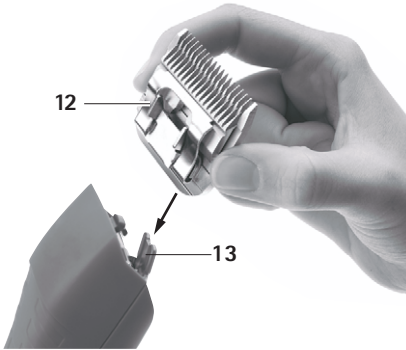


Fig. 2

- Sätt klipphuvudet 12 på det öppna knivlocket 13, se Fig. 2.
- Tryck på strömbrytaren 11.
- Tryck klipphuvudet 12 lätt mot klippmaskinen FAV5 CL/FORTIS, se Fig. 2.  
Klipphuvudet 12 snäpper fast.
- Se till att klipphuvudet 12 sitter fast korrekt på klippmaskinen FAV5 CL/FORTIS.

### 4.1.3 Ansluta laddaren/ladda litiumjonbatteriet



**VARNING**

**Brandfara om polerna kortsluts med vätskor eller metalldelar!**

- Kortslut inte litiumjonbatteriet.



**VARNING**

**Risk för personskador och skador på utrustning om litiumjonbatteriet skadas.**

- Kontrollera innan laddningen att litiumjonbatteriet inte är skadat.
- Använd eller ladda inte ett skadat litiumjonbatteri.



**OBSERVERA**

**Ett urladdat litiumjonbatteri förlorar sin kapacitet om det förvaras en längre tid.**

- Förvara bara litiumjonbatteriet fulladdat vid en längre tids förvaring, och ladda om det en gång i månaden.



**OBSERVERA**

**Risk för att produkten, laddningsfacket eller litiumjonbatteriet förstörs genom att fel typ av batteri placeras i laddningsfacket.**

- Placera endast litiumjonbatteriet i ett laddningsfack som är avsett för detta.
- Sätt in litiumjonbatteriet åt rätt håll.

*Obs*

*Stäng av den batteridrivna klippmaskinen FAV5 CL/FORTIS före laddningen!*

*Obs*

*Litiumjonbatteriet värmer upp sig något vid laddningen.*

*Obs*

*När laddaren inte används ska nätanslutningsledningen lossas från vägguttaget.*



- Anslut laddaren **4**: Anslut apparatkontakten på nätanslutningsledningen **5** till laddaren **4**.
- Anslut nätkontakten på nätanslutningsledningen **5** till vägguttaget.
- Sätt litiumjonbatteriet **8** i laddningsfacket **6** på laddaren **4** och ladda upp det.
  - ELLER -
- Sätt den batteridrivna klippmaskinen FAV5 CL/FORTIS **2** i laddningsfacket **10** på laddaren **4** och ladda.
 

Laddningsindikeringen **7** eller **9** lyser rött.

Efter laddningen lyser laddningsindikeringen **7/9** med grön färg, och den batteridrivna klippmaskinen FAV5 CL/FORTIS **2**/litiumjonbatteriet **8** är klar att använda.
- Sätt litiumjonbatteriet **8** i laddningsfacket **6** på laddaren **4** och ladda.
  - ELLER -
- Sätt den batteridrivna klippmaskinen FAV5 CL/FORTIS **2** i laddningsfacket **10** på laddaren **4** och ladda.
 

Laddningsindikeringen **7** eller **9** lyser rött.

Efter laddningen lyser laddningsindikeringen **7/9** med grön färg, och den batteridrivna klippmaskinen FAV5 CL/FORTIS **2**/litiumjonbatteriet **8** är klar att använda.

Produkten är driftklar.

## 4.2 Funktionskontroll av den batteridrivna klippmaskinen FAV5 CL/FORTIS

- Gör en visuell kontroll.
- Kontrollera brytarpositionen.
- Sätt in batteriet, se kapitel Byta litiumjonbatterier.
- Sätt fast klipphuvudet och smörj vid behov, se kapitel Hantering av klipphuvud.
- Ha laddade reservlitiumjonbatterier tillgängliga.
- Rengör den batteridrivna klippmaskinen FAV5 CL/FORTIS före användningen, se kapitel Rengöring/desinficering.

## 4.3 Funktionskontroll av laddare

- Gör en visuell kontroll.
- Innan produkten ansluts till elnätet:
  - Kontrollera om nätanslutningsledningen **5** är skadad.
  - Kontrollera om produkten är skadad (kontrollera t. ex. att laddningsfackets kontakter inte är deformationerade).
- Anslut nätanslutningsledningen **5** till laddarens apparatkontakt.
- Stick in nätkontakten i vägguttaget.

## 4.4 Hantering av klipphuvud

### 4.4.1 Slipa skärplatta

*Obs*

*För att slipa skärplattan, kontakta teknisk service, se kapitel Teknisk service.*

## Batteridrivna klippmaskin FAV5 CL/FORTIS

### 4.4.2 Byta klipp huvud



Risk för personskador från de vassa skärplattorna!

- Hantera klipp huvudet till FAV5 CL/FORTIS försiktigt.

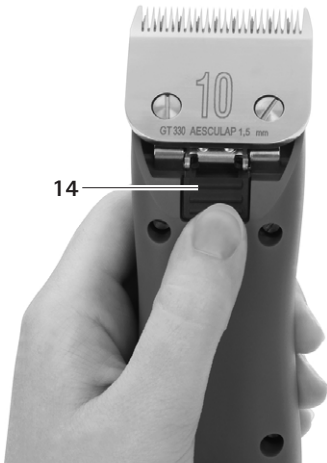


Fig. 3

- Tryck på strömbrytaren 11 för att stänga av den batteridrivna klippmaskinen FAV5 CL/FORTIS.
- Tryck på klipp huvudslåsningen 14, se Fig. 3.



Fig. 4

- Fäll klipp huvudet 12 framåt, se Fig. 4.
- Ta av klipp huvudet 12.
- Rengör knivlocket med en pensel när det är uppfällt.
- Sätt dit klipp huvudet 12 på knivlocket.
- Anslut nätanslutningsledningen till den batteridrivna klippmaskinen FAV5 CL/FORTIS.
- Tryck på strömbrytaren 11.
- Tryck klipp huvudet 12 lätt mot den batteridrivna klippmaskinen FAV5 CL/FORTIS. Klipp huvudet 12 snäpper fast.
- Se till att klipp huvudet 12 sitter fast korrekt på den batteridrivna klippmaskinen FAV5 CL/FORTIS.

### 4.4.3 Olja klipp huvudet

- Rengör den övre och undre skärplattan med en mjuk trasa eller pensel. Se till att luckorna mellan tänderna är rena.
- Smörj den övre och undre skärplattan lätt med specialolja för klipp huvuden GT604.

#### 4.4.4 Byta litiumjonbatterier

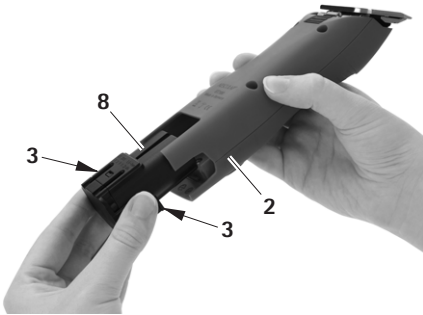


Fig. 5

- Håll i den batteridrivna klippmaskinen FAV5 CL/FORTIS 2 och tryck på batterispärrarna 3.
- Dra ut litiumjonbatteriet 8 ur den batteridrivna klippmaskinen FAV5 CL/FORTIS 2.
- Skjut in ett laddat litiumjonbatteri 8 i den batteridrivna klippmaskinen FAV5 CL/FORTIS 2 tills det bottnar.,  
Den batteridrivna klippmaskinen FAV5 CL/FORTIS 2 är klar att använda.

## 5. Förberedelser



**OBSERVERA**

**Risk för att produkten skadas eller förstörs genom maskinell rengöring/desinfektion eller sterilisering!**

- Rengör/desinficera produkten endast manuellt.
- Sterilisera aldrig produkten.

## 5.1 Rengöring/desinficering

*Obs*

*Följ bestämmelserna om avfallshantering och hygien!*

### Manuell rengöring/desinfektion



**FARA**

**Risk för elektrisk stöt och brand!**

- Dra ur nätkontakten före rengöringen.
- Se till att det inte tränger in vätska i produkten.
- Lufta i minst 1 minut efter rengöring/desinfektion.



**OBSERVERA**

**Risk för att produkten skadas genom felaktig rengöring eller fel rengörings-/desinfektionsmedel!**

- Använd ett vanligt rengöringsmedel för ytrengöringen.
- Lägg aldrig produkten i vatten eller rengöringsmedel.
- Låt det inte komma in vätska i laddningsfacken.
- Rengör kontakterna i laddningsfacken ytterst nogga.

- Torka av produktens hölje med en luddfri trasa, som fuktats vanligt medel för avtorkningsdesinficering.
- Torka vid behov av rester av rengörings- och desinfektionsmedlet med en luddfri duk som fuktats i rent vatten efter verkningstiden.
- Använd en ren, luddfri trasa för torkningen.
- Rengör kontakterna i laddningsfacken med isopropanol eller etylalkohol och en bomullspinne. Använd inte korrosionsfrämjande kemikalier.
- Upprepa rengöringen/desinfektionen, om det behövs.

## Batteridrivna klippmaskin FAV5 CL/FORTIS

### 5.2 Kontroll, skötsel och provning

- Låt produkten svalna till rumstemperatur.
- Kontrollera följande efter varje rengöring och desinficering: Renhet, funktion och skador.
- Smörj in klipp huvudet med olja vid behov, se kapitel Olja klipp huvudet.
- Kontrollera produkten med avseende på skador, ovanliga lagerljud, kraftig uppvärmning eller kraftig vibration.
- Kontrollera att klipp huvudet inte är brutet, skadat eller har trubbiga egg.
- Sortera genast ut skadade produkter.

## 6. Underhåll

För att garantera tillförlitlig drift rekommenderar Aesculap service en gång om året.

### Serviceadresser

Albert Kerbl GmbH

Felizenzell 9

84428 Buchbach / Germany

Phone: +49 (0) 8086 933-100

Fax: +49 (0) 8086 933-500

E-Mail: [info@kerbl.com](mailto:info@kerbl.com)

[www.kerbl.com](http://www.kerbl.com)

Ytterligare serviceadresser kan erhållas via ovan nämnda adress.

## 7. Identifiering och avhjälpande av fel

### 7.1 Batteridriven klippmaskin FAV5 CL/FORTIS

Fel	Identifiering	Orsak	Åtgärd
Den batteridrivna klippmaskinen FAV5 CL/LIBRA startar inte	Kontrollera strömbrytarens läge	Litiumjonbatteriet inte laddat	Ladda litiumjonbatteriet
	-	Litiumjonbatteriet defekt	Sätt in ett nytt litiumjonbatteri
	-	Litiumjonbatteriet inte isatt	Sätt in ett nytt litiumjonbatteri
Den batteridrivna klippmaskinen FAV5 CL/FORTIS stannar	-	Litiumjonbatteriet har stängts av av skyddsavstängningen	Slå av och sedan på strömbrytaren
	-	Litiumjonbatteriet är tomt	Sätt in ett nytt litiumjonbatteri
Den batteridrivna klippmaskinen FAV5 CL/FORTIS laddas inte i laddningsstationen	LED-indikeringarna tänds inte	-	se kapitel Laddare och litiumjonbatteri

## Batteridrivna klippmaskin FAV5 CL/FORTIS

## 7.2 Laddare och litiumjonbatteri

Fel	Identifiering	Orsak	Åtgärd
Laddningsaggregat utan funktion	LED-indikeringarna tänds inte	Nätanslutningskabeln inte isatt	Stick in nätanslutningskabeln i apparatkontakten på laddaren och i försörjningsnätets vägguttag
	Litiumjonbatteriet inte laddat	Nätanslutningskabeln defekt	Byt ut nätanslutningskabeln
Laddaren trasig		Låt tillverkaren reparera produkten	
Litiumjonbatteriet inte laddas	Litiumjonbatteriet är insatt med laddningsindikeringen tänds inte	Laddarens kontakter är smutsiga eller skadade	Rengör kontakterna i laddningsfacket, se kapitel Rengöring/desinficering eller låt tillverkaren reparera produkten
		Litiumjonbatteriet defekt	Låt tillverkaren reparera litiumjonbatteriet
		Laddaren trasig	Låt tillverkaren reparera laddaren
		Övertemperatur i litiumjonbatteriet detekteras under laddningen	Ta ut litiumjonbatteriet ur laddningsfacket, låt det svalna och starta om laddningen. Låt tillverkaren reparera batteriet om felet uppträder igen
		Laddningsfel eller trasigt litiumjonbatteri	Ta ut litiumjonbatteriet ur laddningsfacket och upprepa laddningen, ev. i ett annat laddningsfack. Låt tillverkaren reparera litiumjonbatteriet om felet uppträder igen

## 8. Teknisk service

Om medicinteknisk utrustning modifieras kan det medföra att garantin/garantianspråken och eventuella godkännanden upphör att gälla.

### Serviceadresser

Albert Kerbl GmbH

Felizenzell 9

84428 Buchbach / Germany

Phone: +49 (0) 8086 933-100

Fax: +49 (0) 8086 933-500

E-Mail: [info@kerbl.com](mailto:info@kerbl.com)

[www.kerbl.com](http://www.kerbl.com)

Ytterligare serviceadresser kan erhållas via ovan-nämnda adress.

## 9. Tillbehör/reservdelar

Art.nr	Utförande	Nätkabel	Litiumjon-batteri	Laddare	Batteridri-ven klippma-skin	Tillbehör
GT306/ GT380	Europa utom Storbri-tannien	<b>TA012170</b> <b>Europakontakt,</b> <b>svart,</b> <b>L=1,8 m</b>	GT201	GT200880	GT300/GT380 ej förpackad	GT604800 Oljeflaska
GT306G/ GT380G	Storbritan-nien	<b>TA012169</b> <b>GB-kontakt,</b> <b>svart,</b> <b>L=1,8 m</b>	GT201	GT200880	GT300/GT380 ej förpackad	GT604800 Oljeflaska
GT306J/ GT380J	Japan, Mex-iko 110-125 V	<b>TA012168</b> <b>2-polig apparat-kontakt, svart,</b> <b>L=1,8 m</b>	GT201	GT200880	GT300/GT380 ej förpackad	GT604800 Oljeflaska
GT306K/ GT380K	USA	<b>TA012168</b> <b>2-polig apparat-kontakt, svart,</b> <b>L=1,8 m</b>	GT201	GT200880	GT300/GT380 ej förpackad	GT604800 oljeflaska

## Batteridriven klippmaskin FAV5 CL/FORTIS

## 10. Tekniska data

## 10.1 Batteridriven klippmaskin FAV5 CL/FORTIS

Apparattyp	GT300/GT380
Varvtal	2 300 varv/min
Laddnings-/utspänning	max. 8,4 V
Laddnings-/utström	max. 1,2 A
Vikt (utan klipphuvud och batteri)	385 g
Vikt (med klipphuvud och batteri)	450 g
EN 60335-1, EN 60335-2-29	


## 10.2 Laddare

Apparattyp	GT203
Nätspänningsområden (strömförbrukning)	100–240 V
Frekvens	50–60 Hz
Laddnings-/utspänning	max. 8,4 V
Laddnings-/utström	max. 1,2 A
Vikt	495 g
Märkningar	CE, UL

## 10.3 Litiumjonbatteri

Apparattyp	GT201
Celltyp	Li
Likspänning	7,4 V
Kapacitet	ca 1,2 Ah
Laddningstid	50 min. ±5 min.

## 10.4 Försäkran om överensstämmelse

	<p>Vi förklarar under ensamt ansvar att denna produkt stämmer överens med följande standarder eller standardiseringsdokument:</p> <p>2004/108/EG Direktiv om elektromagnetisk kompatibilitet:</p> <p>DIN EN 60335-1 DIN EN 60335-2-8</p> <p>Säkerhet hos elektriska apparater för hushållsbruk och liknande ändamål</p> <ul style="list-style-type: none"> <li>– allmänna krav</li> <li>– för hårklippmaskiner</li> </ul> <p>Aesculap Suhl GmbH</p>
---	---



## 11. Avfallshantering

Elektriska verktyg, tillbehör och förpackning skall tillföras en miljövänlig återvinning.

### 11.1 Endast för EU-länder



Elektriska verktyg får inte slängas bland hushållsavfall.

Enligt det europeiska direktivet 2012/19/EU gällande uttjänta elektriska och elektroniska apparater och dess omsättning till nationell rätt skall ej längre fungerande elektriska verktyg samlas in separat och tillföras en miljövänlig återanvändning.

### 11.2 Litiumjonbatterier

Litiumjonbatterier får inte kastas bland hushållsavfall, i öppen eld eller vatten. Defekta eller förbrukade batterier ska samlas in enligt direktivet 2006/66/EG, återvinnas eller avfallshandteras på ett miljövänligt sätt.

## 12. 2 års garanti

Bäste kund,

Tack för att du bestämt dig för en produkt från vårt företag.

Namnet Aesculap står sedan årtionden tillbaka för utprovad kvalitet och förstklassig service. Vi erbjuder våra kunder innovativa och kraftfulla produkter. Aesculap tillverkar högklassiga apparater och försäkrar att via använt material av hög kvalitet och att produkten är omsorgsfullt tillverkad och sammansatt. Vi vill påpeka att vi inte tar ansvar för materiella brister på våra produkter om dessa beror på en felaktig användning, normalt slitage eller för att produkten använts på ett felaktigt sätt eller om ej passande eller ej felritt fungerande externa produkter använts.

Delar, som i vanliga fall utsätts för slitage och för vilka vi inte tar något ansvar är batteriet och klipphuvudet. Även sådana brister, som inte på ett väsentligt sätt påverkar produktens värde eller funktion är undantagna.

Vid ett garantifall förbehåller vi oss rätten att antingen reparera produkten eller byta ut den.

## Машинка для стрижки с аккумулятором FAV5 CL/FORTIS

### Легенда

- 1 Держатель стригущей головки
- 2 Машинка для стрижки с аккумулятором FAV5 CL/FORTIS
- 3 Деблокиратор аккумулятора
- 4 Зарядное устройство
- 5 Линия подключения к сети (с штепсельным разъемом)
- 6 Зарядное гнездо (для литиево-ионного аккумулятора)
- 7 Индикатор зарядки (для литиево-ионного аккумулятора)
- 8 Литиево-ионный аккумулятор
- 9 Индикатор зарядки (к машинке для стрижки с аккумулятором FAV5 CL/FORTIS)
- 10 Зарядное гнездо (к машинке для стрижки с аккумулятором FAV5 CL/FORTIS)
- 11 Переключатель "Вкл/Выкл"
- 12 Стригущая головка

### Символы на продукт

	Соблюдайте требования руководства по эксплуатации
	Маркировка электрических и электронных приборов в соответствии с директивой 2012/19/EU (WEEE), см. Раздел Утилизация

### Содержание

1. Правильное обращение с прибором . 113
2. Описание прибора ..... 114
  - 2.1 Комплект поставки ..... 114
  - 2.2 Компоненты, необходимые для эксплуатации прибора ..... 115
  - 2.3 Назначение машинки для стрижки с аккумулятором FAV5 CL/FORTIS ... 115
  - 2.4 Назначение зарядного устройства GT203/литиево-ионный аккумулятор GT201 ..... 115
  - 2.5 Способ функционирования машинки для стрижки с аккумулятором FAV5 CL/FORTIS ..... 115
  - 2.6 Функционирование зарядного устройства GT203/литиево-ионный аккумулятор GT201 ..... 115
    - 2.6.1 Принцип зарядки ..... 116
    - 2.6.2 Время зарядки ..... 116
3. Подготовка и установка ..... 116
4. Работа с машинкой FAV5 CL/FORTIS и зарядным устройством GT203/литиево-ионным аккумулятором GT201 ..... 117
  - 4.1 Подготовка ..... 117
    - 4.1.1 Подсоединение принадлежностей 117
    - 4.1.2 Надеть стригущую головку ..... 117
    - 4.1.3 Подключение зарядного устройства/зарядка литиево-ионного аккумулятора ..... 118
  - 4.2 Проверка функционирования машинки для стрижки с аккумулятором FAV5 CL/FORTIS ... 119
  - 4.3 Проверка функционирования зарядного устройства ..... 119
  - 4.4 Работа со стригущей головкой ..... 120
    - 4.4.1 Заточка ножа ..... 120
    - 4.4.2 Замена стригущей головки ..... 120
    - 4.4.3 Смазка стригущей головки маслом ..... 121
    - 4.4.4 Замена литиево-ионного аккумулятора ..... 121

5.	Подготовка .....	121
5.1	Очистка/дезинфекция .....	121
5.2	Контроль, уход и проверка .....	122
6.	Техническое обслуживание .....	122
7.	Распознавание и устранение неисправностей .....	123
7.1	Машинка для стрижки с аккумулятором FAV5 CL/FORTIS ..	123
7.2	Зарядное устройство и литиево- ионный аккумулятор .....	124
8.	Сервисное обслуживание .....	125
9.	Принадлежности/запасные части	126
10.	Технические характеристики .....	127
10.1	Машинка для стрижки с аккумулятором FAV5 CL/FORTIS ..	127
10.2	Зарядное устройство .....	127
10.3	Литиево-ионный аккумулятор .....	127
10.4	Заявление о соответствии .....	128
11.	Утилизация .....	128
11.1	Только для стран ЕС .....	128
11.2	Литиево-ионные аккумуляторы ...	128
12.	Гарантия 2 года .....	129

## 1. Правильное обращение с прибором



**Опасность для жизни из-за поражения электрическим током!**

- ОПАСНОСТЬ**
- **Изделие не вскрывать (это указание не распространяется на замену аккумулятора).**
  - **Устройство можно подключать к сети питания только с защитным проводом.**
  - Перед применением изделия проверить его на работоспособность и надлежащее состояние.
  - Зарядное устройство и литиево-ионные аккумуляторы хранить при комнатной температуре.
  - Зарядное устройство и литиево-ионные аккумуляторы хранить в сухом помещении.
  - Перед первым применением зарядить литиево-ионные аккумуляторы.
  - Соблюдайте "Указания по электромагнитной совместимости (ЭМС)"

## Машинка для стрижки с аккумулятором FAV5 CL/FORTIS

- Чтобы избежать повреждений, являющихся результатом неправильного монтажа или эксплуатации, и сохранить право на гарантию, необходимо:
  - использовать изделие только в соответствии с инструкцией по применению,
  - соблюдать указания по технике безопасности и техническому обслуживанию,
  - Принадлежности, не упомянутые в руководстве по эксплуатации, можно использовать только с согласия производителя.
- Изделие и принадлежности разрешается приводить в действие и использовать только лицам, имеющим соответствующее образование, знания или опыт.
- хранить инструкцию по применению в доступном для пользователей месте,
- Соблюдать действующие нормы.
- Убедиться, что электропроводка помещения соответствует стандартам IEC (Международной комиссии по электротехнике).
- Отсоединять устройство от сети, вытягивая вилку, ни в коем случае не тянуть за кабель.
- Не использовать изделие во взрывоопасных зонах.
- Нельзя использовать поврежденное или неисправное изделие. Поврежденное изделие сразу же отобрать и удалить.

### Указание

Устройство может использоваться детьми старше 8 лет и лицами с ограниченными физическими, сенсорными или умственными способностями или лицами, не обладающими достаточным опытом и достаточными знаниями, только в том

случае, если они находятся под присмотром или получили инструкции по безопасному обращению с устройством и ознакомлены с исходящими от него опасностями.

- Запрещается использовать устройство в качестве детской игрушки.
- Очистка и техническое обслуживание устройства не могут выполняться детьми без присмотра.

## 2. Описание прибора

### 2.1 Комплект поставки

Обозначение	Артикул
Машинка для стрижки с аккумулятором FAV5 CL/FORTIS	GT300/ GT380
Литиево-ионный аккумулятор	GT201
Зарядное устройство	GT203
Линия подключения к сети (с штепсельным разъемом)	см. Раздел Принадлежн ости/ запасные части
Руководство по эксплуатации	TA013440

### Указание

Стригущая головка GT330 #10 (USA+GB) машинки для стрижки FAV5 CL/FORTIS с аккумулятором входит в комплект поставки. В зависимости от области применения можно использовать различные стригущие головки!

## 2.2 Компоненты, необходимые для эксплуатации прибора

- Машинка для стрижки с аккумулятором FAV5 CL/FORTIS
- Стригущая головка
- Зарядное устройство
- Линия подключения к сети (с штепсельным разъемом)
- Литиево-ионный аккумулятор

## 2.3 Назначение машинки для стрижки с аккумулятором FAV5 CL/FORTIS

### *Указание*

*Устройство предназначено только для стрижки шерсти у животных.*

Машинка для стрижки с аккумулятором FAV5 CL/FORTIS применяется для стрижки мелких животных.

Машинка для стрижки FAV5 CL/FORTIS должна применяться вместе со стригущей головкой, в соответствии со сферой применения.

## 2.4 Назначение зарядного устройства GT203/литиево-ионный аккумулятор GT201

Зарядное устройство GT203 применяется для зарядки машинки для стрижки с аккумулятором FAV5 CL/FORTIS и литиево-ионного аккумулятора. Для каждого из этих компонентов имеется свое зарядное гнездо.

## 2.5 Способ функционирования машинки для стрижки с аккумулятором FAV5 CL/FORTIS

Машинка FAV5 CL/FORTIS включается путем перевода переключателя "Вкл/Выкл" вверх и выключается этим же переключателем вниз.

## 2.6 Функционирование зарядного устройства GT203/литиево-ионный аккумулятор GT201

Зарядное устройство GT203 рассчитано на сетевое напряжение в диапазоне от 100 В до 240 В и от 50 Гц до 60 Гц.

Для готовности к эксплуатации нужно подключить зарядное устройство GT203 при помощи сетевого штекера к сети питания.

Зарядное устройство GT203 имеет два зарядных гнезда. В первом зарядном гнезде заряжается сама машинка FAV5 CL/FORTIS, а во втором - литиево-ионный аккумулятор.

Каждому зарядному гнезду соответствует определенное поле индикации на фронтальной панели зарядного устройства.

При установке литиево-ионного аккумулятора в зарядное гнездо процесс зарядки начинается автоматически.

Время зарядки в зарядных гнездах зависит от уровня зарядки и мощности литиево-ионных аккумуляторов.

## Машинка для стрижки с аккумулятором FAV5 CL/FORTIS

### 2.6.1 Принцип зарядки

Литиево-ионные аккумуляторы заряжаются импульсами постоянного тока.

Во время зарядки литиево-ионных аккумуляторов контролируется уровень зарядки. Контроль над кривой заряда обеспечивает 100%-ную зарядку без перезарядки.

Кроме того, отслеживается температура аккумулятора и время зарядки.

Зарядное устройство следит за состоянием аккумулятора при помощи двух индикаторов зарядки.

Светодиодные индикаторы:

- зеленый = аккумулятор заряжен
- красный = аккумулятор разряжен

### 2.6.2 Время зарядки

При достижении максимального времени зарядки процесс зарядки прекращается.

Продолжительность зарядки составляет около 50 мин.

## 3. Подготовка и установка

Компания Aesculap снимает с себя всякую ответственность, если не выполняются перечисленные ниже предписания.

- При установке и эксплуатации изделия должны соблюдаться:
  - предписания по установке и эксплуатации, принятые в данной конкретной стране,
  - предписания по противопожарной безопасности и взрывозащите.
  - предписания по эксплуатации в соответствии с положениями IEC/VDE.



**ОПАСНОСТЬ**

**Опасность пожара и взрыва!**

- **Не использовать изделие во взрывоопасных зонах.**



**ОСТОРОЖНО**

**Нарушение функционирования или повреждение изделия в результате неправильного монтажа!**

- **Не подвергать изделие воздействию прямых солнечных лучей или влаги.**
- **Не закрывать вентиляционные щели изделия.**
- **Подключать к сети с напряжением в диапазоне от 100 В до 240 В и частотой от 50 Гц до 60 Гц.**
- **Убедиться, что к розетке сети питания, используемой для подачи электроэнергии к изделию, имеется свободный доступ.**

## 4. Работа с машинкой FAV5 CL/FORTIS и зарядным устройством GT203/литиево-ионным аккумулятором GT201

### 4.1 Подготовка

#### 4.1.1 Подсоединение принадлежностей

Комбинации принадлежностей, о которых не упоминается в данном руководстве по эксплуатации, разрешаются к применению лишь в том случае, если они определенно предназначены для предполагаемого использования. Не разрешаются какие-либо действия, оказывающие негативное влияние на характеристики мощности, а также требования по технике безопасности.

#### 4.1.2 Надеть стригущую головку



**ВНИМАНИЕ**

**Опасность получения травмы из-за острых ножей!**

➤ **Осторожно обращаться со стригущей головкой машинки для стрижки FAV5.**

#### Указание

Стригущая головка GT330 #10 (USA+GB) машинки для стрижки FAV5 CL/FORTIS входит в комплект поставки. В зависимости от области применения можно

использовать различные стригущие головки!



Рис. 1

➤ При закрытом шарнире ножа: Открыть шарнир ножа **13** отверткой, см. Рис. 1.

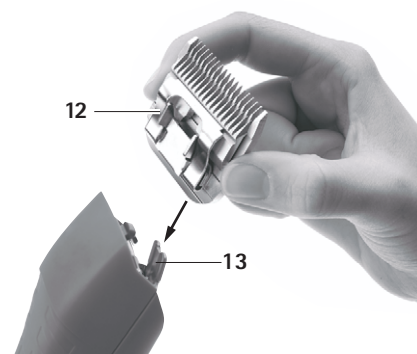


Рис. 2

➤ Насадить стригущую головку **12** на открытый шарнир ножа **13**, см. Рис. 2.

➤ Нажать на переключатель "Вкл/Выкл" **11**.

➤ Слегка нажать на стригущую головку **12** в направлении машинки для стрижки FAV5, см. Рис. 2.

Слышно, как стригущая головка **12** зафиксировалась.

## Машинка для стрижки с аккумулятором FAV5 CL/FORTIS

- Убедиться в том, что стригущая головка **12** правильно установлена на машинке для стрижки FAV5 CL/FORTIS.

### 4.1.3 Подключение зарядного устройства/зарядка литиево-ионного аккумулятора



**ВНИМАНИЕ**

Опасность пожара в результате короткого замыкания полюсов из-за попадания жидкостей или металлических частей!

- Не допускать короткого замыкания литиево-ионного аккумулятора.



**ВНИМАНИЕ**

При повреждении литиево-ионных аккумуляторов существует опасность травмирования и нанесения материального ущерба!

- Перед зарядкой проверить литиево-ионные аккумуляторы на наличие повреждений.
- Не применять и не заряжать литиево-ионные аккумуляторы.



**ОСТОРОЖНО**

Потеря мощности / производительности разряженного литиево-ионного аккумулятора в результате длительного хранения!

- На длительное хранение оставлять литиево-ионный аккумулятор только полностью заряженным и производить подзарядку один раз в месяц.



**ОСТОРОЖНО**

Если в зарядное гнездо установлен аккумулятор несоответствующего типа, это может вызвать разрушение изделия, зарядного гнезда или литиево-ионного аккумулятора!

- Устанавливать литиево-ионные аккумуляторы только в предусмотренные для этого зарядные гнезда.
- Правильно вставлять литиево-ионные аккумуляторы.

*Указание*

*Перед выполнением зарядки выключить машинку FAV5 CL/FORTIS!*

*Указание*

*Литиево-ионные аккумуляторы легко нагреваются во время процесса зарядки.*



### Указание

*Если с зарядным устройством не ведутся никакие работы, необходимо отключить сетевой кабель от розетки!*

- Подключение зарядного устройства **4**: Приборный штекер сетевого кабеля **5** вставить в зарядное устройство **4**.
- Сетевой штекер сетевого кабеля **5** вставить в штепсельную розетку.
- Установить литиево-ионный аккумулятор **8** в зарядное гнездо **6** зарядного устройства **4** и зарядить.  
-или-
- Установить машинку FAV5 CL/FORTIS **2** в зарядное гнездо **10** зарядного устройства **4** и зарядить.  
Индикатор зарядки **7** или индикатор зарядки **9** загорается красным цветом.  
После окончания зарядки индикатор **7/9** загорается зеленым цветом, и машинка FAV5 CL/FORTIS **2**/литиево-ионный аккумулятор **8** готов к эксплуатации.

## 4.2 Проверка функционирования машинки для стрижки с аккумулятором FAV5 CL/FORTIS

- Провести визуальную проверку.
- Проверить положение переключателя.
- Установить аккумулятор, см. Раздел Замена литиево-ионного аккумулятора.
- Правильно установить стригущую головку и, если необходимо, смазать маслом, см. Раздел Работа со стригущей головкой.

- Держать в готовности заряженный резервный литиево-ионный аккумулятор.
- Перед использованием очистить машинку FAV5 CL/FORTIS, см. Раздел Очистка/дезинфекция.

## 4.3 Проверка функционирования зарядного устройства

- Провести визуальную проверку.
- Перед подключением изделия к сети питания:
  - Проверить сетевой кабель **5** на наличие возможных повреждений.
  - Проверить изделие на наличие возможных повреждений (например, проверить контакты зарядных гнезд на возможность наличия деформации контактов).
- Вставить сетевой кабель **5** в приборный штекер на зарядном устройстве.
- Вставить штепсельную вилку сетевого кабеля в розетку сети питания.
- Установить литиево-ионный аккумулятор **8** в зарядное гнездо **6** зарядного устройства **4** и зарядить.  
-или-
- Установить машинку FAV5 CL/FORTIS **2** в зарядное гнездо **10** зарядного устройства **4** и зарядить.  
Индикатор зарядки **7** или индикатор зарядки **9** загорается красным цветом.  
После окончания зарядки индикатор **7/9** загорается зеленым цветом, и машинка FAV5 CL/FORTIS **2**/литиево-ионный аккумулятор **8** готов к эксплуатации.  
Изделие готово к эксплуатации.

## Машинка для стрижки с аккумулятором FAV5 CL/FORTIS

### 4.4 Работа со стригущей головкой

#### 4.4.1 Заточка ножа

##### Указание

Для заточки ножа следует обратиться в отдел технического обслуживания, см. Раздел Сервисное обслуживание.

#### 4.4.2 Замена стригущей головки



**ВНИМАНИЕ**

**Опасность** получения травмы из-за острых ножей!

➤ Осторожно обращаться со стригущей головкой машинки для стрижки FAV5 CL/FORTIS.

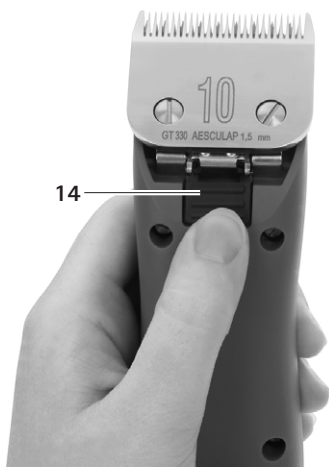


Рис. 3

- Нажать на переключатель "Вкл/Выкл" **11**, чтобы выключить машинку для стрижки FAV5 CL/FORTIS.
- Нажать на фиксатор стригущей головки **14**, см. Рис. 3.

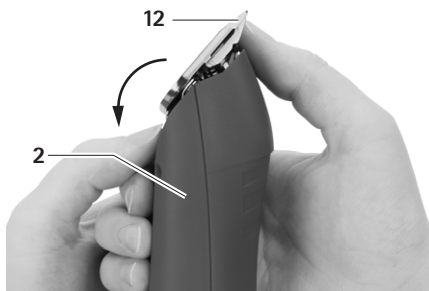


Рис. 4

- Откинуть стригущую головку **12** вперед, см. Рис. 4.
- Снять стригущую головку **12**.
- Почистить кисточкой открытый шарнир ножа.
- Насадить стригущую головку **12** на шарнир ножа.
- Вставить провод для присоединения к сети машинки для стрижки с аккумулятором FAV5 CL/FORTIS.
- Нажать на переключатель "Вкл/Выкл" **11**.
- Слегка нажать на стригущую головку **12** в направлении машинки для стрижки FAV5 CL/FORTIS.  
Слышно, как стригущая головка **12** зафиксировалась.
- Убедиться в том, что стригущая головка **12** правильно установлена на машинке для стрижки с аккумулятором FAV5 CL/FORTIS.

#### 4.4.3 Смазка стригущей головки маслом

- Почистить верхний и нижний нож мягкой тряпкой или кисточкой. При этом убедиться в том, что впадины между зубьями чистые.
- Слегка смазать верхний и нижний нож специальным маслом для режущих головок GT604.

#### 4.4.4 Замена литиево-ионного аккумулятора



Рис. 5

- Удерживать машинку FAV5 CL/FORTIS 2 и нажать деблокиратор аккумулятора 3.
  - Вынуть литиево-ионный аккумулятор 8 из машинки FAV5 CL/FORTIS 2.
  - Вставить заряженный литиево-ионный аккумулятор 8 в машинку FAV5 CL/FORTIS 2 до упора.
- Машинка FAV5 CL/FORTIS 2 готова к эксплуатации.

## 5. Подготовка



**ОСТОРОЖНО**

**Опасность повреждения или разрушения изделия при проведении машинной очистки/дезинфекции или стерилизации!**

- Выполняйте очистку/дезинфекцию прибора только вручную.
- Никогда не стерилизовать изделие.

### 5.1 Очистка/дезинфекция

*Указание*

*Соблюдать предписания по утилизации и санитарные правила!*

**Ручная очистка/дезинфекция**



**ОПАСНОСТЬ**

**Опасность удара током и возникновения пожара!**

- Перед проведением очистки вынуть штекер сетевого кабеля.
- Не допускайте, чтобы в прибор попадала жидкость.
- После очистки/дезинфекции оставить изделие проветриваться в течение не менее 1 минуты.

## Машинка для стрижки с аккумулятором FAV5 CL/FORTIS



**ОСТОРОЖНО**

**Ненадлежащая очистка или применение неподходящего чистящего/дезинфицирующего средства могут привести к повреждению устройства!**

- **Применять стандартное средство для чистки поверхностей.**
  - **Никогда не помещать изделие в воду или чистящий раствор.**
  - **Не допускать попадания жидкости в зарядные гнезда.**
  - **Чистку контактов в зарядных гнездах выполнять с максимальной осторожностью.**
- Протереть корпус изделия безворсовой салфеткой, смоченной стандартным средством для дезинфекции.
  - При необходимости, вытереть остатки чистящего и дезинфицирующего средства по истечении времени его воздействия безворсовой салфеткой, смоченной чистой водой.
  - Для протирки насухо использовать чистую безворсовую салфетку.
  - Для чистки контактов в зарядных гнездах использовать изопропанол или, соответственно, этиловый спирт и ватную палочку. Не применять химические средства, способствующие коррозии.
  - При необходимости, провести повторную очистку/дезинфекцию.

## 5.2 Контроль, уход и проверка

- Охладить изделие до комнатной температуры.
- Каждый раз после проведения очистки и дезинфекции проверять: чистоту, функциональность и наличие повреждений.
- При необходимости смазать маслом стригущую головку, см. Раздел Смазка стригущей головки маслом.
- Следить за тем, чтобы на изделии не было повреждений, не появлялись посторонние шумы и слишком сильная вибрация во время работы, а также чтобы не происходило чрезмерного нагрева изделия.
- Проверить стригущую головку на наличие обломившихся, поврежденных и затупившихся режущих частей.
- Поврежденное изделие сразу же отобрать и удалить.

## 6. Техническое обслуживание

Чтобы обеспечить надежную эксплуатацию, фирма Aesculap рекомендует проводить техническое обслуживание один раз в год.

### Адреса сервисных центров

Albert Kerbl GmbH  
 Felizenzell 9  
 84428 Buchbach / Germany  
 Phone: +49 (0) 8086 933-100  
 Fax: +49 (0) 8086 933-500  
 E-Mail: info@kerbl.com  
 www.kerbl.com

Адреса других сервисных центров можно узнать по вышеуказанному адресу.

## 7. Распознавание и устранение неисправностей

### 7.1 Машинка для стрижки с аккумулятором FAV5 CL/FORTIS

Неисправность	Распознавание	Причина	Устранение
Машинка FAV5 CL/FORTIS не приводится в действие	Проверить положение переключателя	Не заряжен литиево-ионный аккумулятор	Зарядить литиево-ионный аккумулятор
	–	Литиево-ионный аккумулятор не исправен	Использовать новый литиево-ионный аккумулятор
	–	Не использован литиево-ионный аккумулятор	Использовать новый литиево-ионный аккумулятор
Машинка FAV5 CL/FORTIS останавливается	–	Предохранитель отключил литиево-ионный аккумулятор	Выключить и снова включить переключатель
	–	Литиево-ионный аккумулятор разряжен	Использовать новый литиево-ионный аккумулятор
Машинка FAV5 CL/FORTIS не заряжается в зарядном устройстве	Не горят светодиодные индикаторы	–	см. Раздел Зарядное устройство и литиево-ионный аккумулятор

**Машинка для стрижки с аккумулятором FAV5 CL/FORTIS**
**7.2 Зарядное устройство и литиево-ионный аккумулятор**

<b>Неисправность</b>	<b>Распознавание</b>	<b>Причина</b>	<b>Устранение</b>
Зарядное устройство не функционирует	Не горят светодиодные индикаторы	Не подсоединен сетевой кабель	Подсоединить сетевой кабель к приборному штекеру на зарядном устройстве и к розетке сети питания
	Не заряжен литиево-ионный аккумулятор	Сетевой кабель неисправен Зарядное устройство не исправно	Заменить сетевой кабель Отдать изделие в ремонт фирме-производителю
Литиево-ионный аккумулятор не заряжается	Литиево-ионный аккумулятор подключен, индикатор зарядки не горит	Загрязнены или повреждены контакты зарядного устройства	Очистить контакты в зарядном гнезде, см. Раздел Очистка/дезинфекция или отдать в ремонт фирме-производителю
		Литиево-ионный аккумулятор неисправен	Отдать аккумулятор в ремонт фирме-производителю
		Зарядное устройство не исправно	Отдать зарядное устройство в ремонт фирме-производителю
		Во время процесса зарядки литиево-ионный аккумулятор перегревается	Вынуть аккумулятор из зарядного гнезда, дать ему остыть и снова начать процесс зарядки. Если снова обнаружится неисправность, передать аккумулятор для ремонта на фирму-производитель
		Неполадки в процессе зарядки или литиево-ионный аккумулятор неисправен	Вынуть аккумулятор из зарядного гнезда и повторить процесс зарядки, при необходимости – в другом зарядном гнезде. Если снова есть неполадки, отдать аккумулятор в ремонт фирме-производителю

## **8. Сервисное обслуживание**

Модификации медико-технического оборудования могут приводить к потере права на гарантийное обслуживание, а также к прекращению действия соответствующих допусков к эксплуатации.

### **Адреса сервисных центров**

Albert Kerbl GmbH

Felizenzell 9

84428 Buchbach / Germany

Phone: +49 (0) 8086 933-100

Fax: +49 (0) 8086 933-500

E-Mail: [info@kerbl.com](mailto:info@kerbl.com)

[www.kerbl.com](http://www.kerbl.com)

Адреса других сервисных центров можно узнать по вышеуказанному адресу.

**Машинка для стрижки с аккумулятором FAV5 CL/FORTIS**
**9. Принадлежности/  
запасные части**

Артикул	Форма	Сетевой кабель	Литиево-ионный аккумулятор	Зарядная станция	Машинка для стрижки с аккумулятором	Принадлежности
GT306/ GT380	Европа кроме Великобритании	<b>TA012170</b> Плоская евро-вилка, черная, длина=1,8 м	GT201	GT200880	GT300/GT380 без упаковки	GT604800 Бутылочка с маслом
GT306G/ GT380G	Великобритания	<b>TA012169</b> британская вилка, черная, длина=1,8 м	GT201	GT200880	GT300/GT380 без упаковки	GT604800 Бутылочка с маслом
GT306J/ GT380J	Япония, Мексика 110–125 В	<b>TA012168</b> 2-контактный приборный штекер, черный, длина=1,8 м	GT201	GT200880	GT300/GT380 без упаковки	GT604800 Бутылочка с маслом
GT306K/ GT380K	США	<b>TA012168</b> 2-контактный приборный штекер, черный, длина=1,8 м	GT201	GT200880	GT300/GT380 без упаковки	GT604800 Бутылочка с маслом



## 10. Технические характеристики

### 10.1 Машинка для стрижки с аккумулятором FAV5 CL/FORTIS

Тип прибора	GT300/GT380
Число ходов	2 300 1/мин
Зарядное/выходное напряжение	макс. 8,4 В
Зарядный ток/ выходной ток	макс. 1,2 А
Вес (без стригущей головки и аккумулятора)	385 г
Вес (с стригущей головкой и аккумулятором)	450 г
EN 60335-1, EN 60335-2-29	

### 10.2 Зарядное устройство


Тип прибора	GT203
Диапазон параметров сетевого напряжения (потребление тока)	100–240 В
Частота	50–60 Гц
Зарядное/выходное напряжение	макс. 8,4 В
Зарядный ток/ выходной ток	макс. 1,2 А
Вес	495 г
Знак соответствия нормам	CE, UL

### 10.3 Литиево-ионный аккумулятор

Тип прибора	GT201
Тип элементов	Li
Постоянное напряжение	7,4 В
Мощность	ок. 1,2 А.ч
Время зарядки	50 мин ±5 мин

Машинка для стрижки с аккумулятором FAV5 CL/FORTIS

**10.4**Заявление о соответствии

	<p>Мы, под собственную ответственность, заявляем, что данное изделие соответствует следующим нормам или нормативным документам:                  2004/108/EC Директива по ЗМС:                  DIN EN 60335-1                  DIN EN 60335-2-8                  Безопасность электрических приборов, предназначенных для домашнего использования и аналогичных целей                  - общие требования                  - к машинкам для стрижки волос                  Aesculap Suhl GmbH</p>
---	--

**11.1**Только для стран ЕС

	<p>Не выбрасывать электроинструменты в бытовые отходы!                  В соответствии с Европейской директивой 2012/19/EU об отслуживших свой срок электрических и электронных приборах и ее реализацией в национальном праве электроинструменты, больше не пригодные к эксплуатации, должны собираться отдельно и сдаваться для экологически целесообразного вторичного использования.</p>
---	--

**11. Утилизация**

Электроинструменты, комплектующие и упаковка должны сдаваться для экологически целесообразного вторичного использования.

**11.2**Литиево-ионные аккумуляторы

Аккумуляторы нельзя бросать в домашний мусор, в огонь или воду. Неисправные или отработанные аккумуляторы необходимо собирать, вторично использовать или утилизировать без нанесения ущерба окружающей среде согласно Директиве 2006/66/EG.

## 12. Гарантия 2 года

Уважаемый покупатель,  
большое спасибо за то, что Вы выбрали изделие, производимое нашей фирмой.

Марка Aescular уже несколько десятилетий является синонимом проверенного качества и первоклассного обслуживания. Мы предлагаем нашим покупателям инновационное и производительное оборудование. Фирма Aescular производит высококачественные приборы и гарантирует применение высококачественных материалов и точность изготовления. Мы обращаем Ваше внимание на то, что мы не несем ответственность за те недостатки нашей продукции, которые возникают вследствие ненадлежащей эксплуатации, обычного износа, вследствие ненадлежащего использования изделия или использования неподходящей или небезупречно функционирующей продукции других производителей.

К числу деталей, которые обычно подвергаются износу и в связи с этим не охвачены гарантией, относятся аккумулятор и стригущая головка. Также действие гарантии не распространяется на недостатки, которые не формируют или лишь в незначительной степени формируют стоимость изделия и не влияют или почти не влияют на его функционирование.



При наступлении гарантийного случая мы сохраняем за собой право отремонтировать или заменить изделие.

## Akumulatorowa maszynka do strzyżenia FAV5 CL/FORTIS

### Legenda

- 1 Uchwyt głowicy strzygącej
- 2 Akumulatorowa maszynka do strzyżenia FAV5 CL/FORTIS
- 3 Odblokowanie akumulatora
- 4 Ładowarka
- 5 Przewód sieciowy (z wtyczką przyrządową)
- 6 Gniazdo ładowania (dla akumulatora litowo-jonowego)
- 7 Wskaźnik poziomu naładowania (akumulatora litowo-jonowego)
- 8 Akumulator litowo-jonowy
- 9 Wskaźnik poziomu naładowania (akumulatorowej maszynki do strzyżenia FAV5 CL/FORTIS)
- 10 Gniazdo ładowania (akumulatorowej maszynki do strzyżenia FAV5 CL/FORTIS)
- 11 Włacznik/wyłącznik
- 12 Głowica strzygąca

### Symbole na produkcie

	<p>Przestrzegać instrukcji obsługi</p>
	<p>Oznakowanie urządzeń elektrycznych i elektronicznych wg dyrektywy 2012/19/EU (WEEE), patrz Rozdział Utylizacja</p>

### Spis treści

1.	Bezpieczne posługiwanie się urządzeniem ..	131
2.	Opis urządzenia .....	132
2.1	Zakres dostawy .....	132
2.2	Komponenty niezbędne do eksploatacji urządzenia .....	132
2.3	Przeznaczenie akumulatorowej maszynki do strzyżenia FAV5 CL/FORTIS .....	132
2.4	Przeznaczenie ładowarki GT203/akumulatora litowo-jonowego GT201 .....	132
2.5	Sposób działania akumulatorowej maszynki do strzyżenia FAV5 CL/FORTIS .....	132
2.6	Sposób działania ładowarki GT203/akumulatora litowo-jonowego GT201 .....	133
2.6.1	Zasada ładowania .....	133
2.6.2	Czas ładowania .....	133
3.	Przygotowanie i montaż .....	133
4.	Praca z akumulatorową maszynką do strzyżenia FAV5 CL/FORTIS, ładowarką GT203/akumulatorem litowo-jonowym GT201 .....	134
4.1	Czynności przygotowawcze .....	134
4.1.1	Podłączanie wyposażenia .....	134
4.1.2	Nakładanie głowicy strzygącej .....	134
4.1.3	Podłączanie ładowarki/ładowanie akumulatora litowo-jonowego .....	135
4.2	Kontrola działania akumulatorowej maszynki do strzyżenia FAV5 CL/FORTIS .....	136
4.3	Kontrola działania ładowarki .....	136
4.4	Posługiwanie się głowicą strzygącą .....	136
4.4.1	Szlifowanie płytki tnącej .....	136
4.4.2	Wymiana głowicy strzygącej .....	137
4.4.3	Oliwienie głowicy strzygącej .....	137
4.4.4	Wymiana akumulatora litowo-jonowego ...	138
5.	Przygotowanie .....	138
5.1	Czyszczenie/dezynfekcja .....	138
5.2	Kontrola, konserwacja i sprawdzanie .....	139
6.	Konserwacja .....	139
7.	Wykrywanie i usuwanie usterek .....	140
7.1	Akumulatorowa maszynka do strzyżenia FAV5 CL/FORTIS .....	140
7.2	Ładowarka i akumulator litowo-jonowy .....	141
8.	Serwis techniczny .....	142

9.	Akcesoria/części zamienne .....	143
10.	Dane techniczne .....	144
10.1	Akumulatorowa maszyna do strzyżenia FAV5 CL/FORTIS .....	144
10.2	Ładowarka .....	144
10.3	Akumulator litowo-jonowy .....	144
10.4	Deklaracja zgodności .....	144
11.	Utylizacja .....	144
11.1	Tylko kraje UE .....	145
11.2	Akumulatory litowo-jonowe .....	145
12.	2 lata gwarancji .....	145

## 1. Bezpieczne posługiwanie się urządzeniem



**NIEBEZPIECZE-  
ŃSTWO**

**Zagrożenie życia wskutek porażenia prądem!**

- **Produktu nie należy otwierać (z wyjątkiem wymiany akumulatora).**
- **Produkt przyłączać wyłącznie do sieci z wykorzystaniem przewodu PE.**
- Przed użyciem produktu sprawdzić poprawność działania i stan urządzenia.
- Ładowarkę i akumulatory litowo-jonowe przechowywać w temperaturze pokojowej.
- Nie zamaczać ładowarki i akumulatorów litowo-jonowych.
- Naładować akumulator litowo-jonowy przed pierwszym zastosowaniem.
- Przestrzegać wskazówek dotyczących tolerancji elektromagnetycznej (EMV).
- Aby uniknąć szkód spowodowanych przez niewłaściwe złożenie lub użytkowanie i nie ryzykować utraty rękojmi i gwarancji:
  - Używać produktu wyłącznie zgodnie z niniejszą instrukcją użycia.

- Przestrzegać informacji dotyczących bezpieczeństwa i wskazówek na temat utrzymania sprawności urządzenia.
- Wyposażenie nie wymienione w instrukcji obsługi może być stosowane wyłącznie za zgodą producenta.
- Produkt i wyposażenie może być używane i stosowane wyłącznie przez osoby, które mają niezbędne kwalifikacje, wiedzę i doświadczenie.
- Instrukcję obsługi należy przechowywać w miejscu dostępnym dla osoby stosującej urządzenie.
- Przestrzegać obowiązujących norm.
- Upewnić się, czy instalacja elektryczna w pomieszczeniu spełnia standardy IEC.
- Urządzenie odłączać od sieci przez wyciągnięcie wtyczki przyrządowej – nie ciągnąc za kabel.
- Produktu nie wolno stosować w strefach zagrożenia wybuchowego.
- Nie używać uszkodzonego lub zepsutego produktu. Uszkodzony produkt należy natychmiast wysortować.

### Wskazówka

*Urządzenie może być używane przez dzieci powyżej 8 roku życia oraz osoby z ograniczonymi zdolnościami ruchowymi, czuciowymi lub umysłowymi bądź nieposiadające doświadczenia i wiedzy, jeżeli pozostają one pod nadzorem osoby odpowiedzialnej za ich bezpieczeństwo lub otrzymały od niej wskazówki dotyczące bezpiecznego użytkowania urządzenia i rozumieją niebezpieczeństwo związane z użytkowaniem urządzenia.*

- Nie zezwalać dzieciom na zabawę urządzeniem.
- Prace związane z czyszczeniem i konserwacją urządzenia nie powinny być wykonywane przez dzieci bez nadzoru.

## Akumulatorowa maszynka do strzyżenia FAV5 CL/FORTIS

### 2. Opis urządzenia

#### 2.1 Zakres dostawy

Nazwa	Nr artykułu
Akumulatorowa maszynka do strzyżenia FAV5 CL/FORTIS	GT300/GT380
Akumulator litowo-jonowy	GT201
Ładowarka	GT203
Przewód sieciowy (z wtyczką przyrządową)	patrz Rozdział Akcesoria/części zamienne
Instrukcja użycia	TA013440

#### Wskazówka

Głowica strzygąca GT330 #10 (USA+GB) akumulatorowej maszynki do strzyżenia FAV5 CL/FORTIS jest dostarczana wraz z urządzeniem. W zależności od zastosowania można stosować różne głowice strzygące!

#### 2.2 Komponenty niezbędne do eksploatacji urządzenia

- Akumulatorowa maszynka do strzyżenia FAV5 CL/FORTIS
- Głowica strzygąca
- Ładowarka
- Przewód sieciowy (z wtyczką przyrządową)
- Akumulator litowo-jonowy

#### 2.3 Przeznaczenie akumulatorowej maszynki do strzyżenia FAV5 CL/FORTIS

##### Wskazówka

Urządzenie jest przeznaczone tylko do strzyżenia sierści zwierząt.

Akumulatorowa maszynka do strzyżenia FAV5 CL/FORTIS jest przeznaczona do strzyżenia małych zwierząt.

Akumulatorowa maszynka do strzyżenia FAV5 CL/FORTIS musi być stosowana z głowicą strzygącą odpowiednią do zastosowania.

#### 2.4 Przeznaczenie ładowarki GT203/akumulatora litowo-jonowego GT201

Ładowarka GT203 jest stosowana do ładowania akumulatorowej maszynki do strzyżenia FAV5 CL/FORTIS i akumulatora litowo-jonowego. Do każdego komponentu przewidziane jest jedno gniazdo ładowania.

#### 2.5 Sposób działania akumulatorowej maszynki do strzyżenia FAV5 CL/FORTIS

Włącznik/wyłącznik ustawiony w położeniu górnym włącza, a w położeniu dolnym wyłącza akumulatorową maszynkę do strzyżenia FAV5 CL/FORTIS.

## 2.6 Sposób działania ładowarki GT203/akumulatora litowo-jonowego GT201

Ładowarka GT203 została zaprojektowana dla zakresu napięć 100 V do 240 V i od 50 Hz do 60 Hz.

W celu uzyskania stanu gotowości do pracy ładowarkę GT203 należy podłączyć kablem zasilającym do sieci elektrycznej.

Ładowarka GT203 posiada dwa gniazda ładowania. Pierwsze z gniazd służy do ładowania akumulatorowej maszyny do strzyżenia FAV5 CL/FORTIS, a drugie do ładowania akumulatora litowo-jonowego.

Do określonych gniazd przypisane są odpowiednie pola wskaźników na przednim panelu ładowarki.

Z chwilą włożenia akumulatora litowo-jonowego do gniazda ładowania automatycznie rozpoczyna się proces ładowania.

Czas ładowania w gniazdach ładowania jest zależny od stopnia rozładowania i pojemności akumulatorów litowo-jonowych.

### 2.6.1 Zasada ładowania

Akumulatory litowo-jonowe są ładowane stałymi impulsami prądu.

Stan naładowania akumulatora litowo-jonowego jest nadzorowany przez cały czas ładowania. Kontrola krzywej ładowania gwarantuje 100%-owe naładowanie bez przeładowania.

Dodatkowo nadzorowane są temperatura akumulatora i czas ładowania.

Ładowarka monitoruje poziom naładowania za pomocą dwóch wskaźników poziomu naładowania.

Wskaźniki LED:

- zielony = akumulator naładowany
- czerwony = akumulator rozładowany

### 2.6.2 Czas ładowania

Po osiągnięciu maksymalnego czasu ładowania proces ładowania zostanie przerwany.

Czas ładowania wynosi ok. 50 min.

## 3. Przygotowanie i montaż

Jeśli poniższe przepisy nie będą przestrzegane, to firma Aesculap nie ponosi odpowiedzialności za sprawność urządzenia.

- Podczas montażu i uruchamiania produktu należy przestrzegać:
  - krajowych przepisów dotyczących instalacji i użytkowania,
  - krajowych przepisów dotyczących ochrony przeciwpożarowej i przeciwybuchowej.
  - wskazówek dotyczących stosowania, a wynikających z przepisów IEC/VDE.



**NIEBEZPIECZE-  
ŃSTWO**

**Niebezpieczeństwo pożaru i wybuchu!**

- Produktu nie wolno stosować w strefach zagrożenia wybuchowego.



**OSTROŻNIE**

**Niepoprawne ustawienie produktu grozi jego uszkodzeniem lub zakłóceniem działania!**

- Nie narażać produktu na bezpośrednie działanie promieni słonecznych lub wilgoci.
- Nie zakrywać szczelin wentylacyjnych urządzenia.
- Podłączać tylko do sieci elektrycznej o napięciu znamionowym od 100 V do 240 V i z zakresem częstotliwości 50 Hz do 60 Hz.
- Należy się upewnić, czy gniazdo sieci elektrycznej, z którego ma być zasilany produkt, jest swobodnie dostępne.

## Akumulatorowa maszynka do strzyżenia FAV5 CL/FORTIS

### 4. Praca z akumulatorową maszynką do strzyżenia FAV5 CL/FORTIS, ładowarką GT203/akumulatorem litowo-jonowym GT201

#### 4.1 Czynności przygotowawcze

##### 4.1.1 Podłączanie wyposażenia

Kombinacje dotyczące elementów wyposażenia, których nie wymieniono w instrukcji obsługi, mogą być stosowane tylko wówczas, gdy są przeznaczone do danego zastosowania. Charakterystyka wydajnościowa oraz wymagania dotyczące bezpieczeństwa nie mogą być niekorzystnie zmienione.

##### 4.1.2 Nakładanie głowicy strzygącej



**OSTRZEŻENIE**

Ryzyko skaleczenia ostrymi płytkami tnącymi!

- Z głowicą strzygącą FAV5 należy obchodzić się ostrożnie.

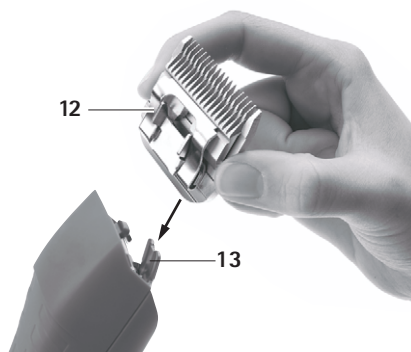
*Wskazówka*

Głowica strzygąca GT330 #10 (USA+GB) maszynki do strzyżenia FAV5 CL/FORTIS jest dostarczana wraz z urządzeniem. W zależności od zastosowania można stosować różne głowice strzygące!



Rys. 1

- W przypadku zamkniętego zawiasu nożowego: otworzyć zawias nożowy 13 za pomocą śrubokrętu, patrz Rys. 1.



Rys. 2

- Nałożyć głowicę strzygącą 12 na otwarty zawias nożowy 13, patrz Rys. 2.
- Nacisnąć włącznik/wyłącznik 11.



- Lekko nacisnąć głowicę strzygącą **12** w kierunku maszyny do strzyżenia FAV5 CL/FORTIS, patrz Rys. 2.  
Nastąpi słyszalne zatrzaśnięcie głowicy strzygącej **12**.
- Upewnić się, że głowica strzygąca **12** jest prawidłowo osadzona w maszynie do strzyżenia FAV5 CL/FORTIS.

#### 4.1.3 Podłączenie ładowarki/ładowanie akumulatora litowo-jonowego



**OSTRZEŻENIE**

Niebezpieczeństwo pożaru w razie wystąpienia zwarcia biegunów przez płyny lub części metalowe!

- Nie należy zwierać akumulatora litowo-jonowego.



**OSTRZEŻENIE**

Niebezpieczeństwo zranienia lub spowodowania szkód materialnych przez uszkodzone akumulatory litowo-jonowe!

- Przed rozpoczęciem ładowania należy sprawdzić, czy akumulatory litowo-jonowe nie są uszkodzone.
- Nie należy używać ani ładować uszkodzonych akumulatorów litowo-jonowych.



**OSTRZEŻENIE**

Dłuższe przechowywanie rozładowanych akumulatorów litowo-jonowych powoduje utratę ich pojemności/wydajności!

- W razie dłuższego przechowywania akumulator litowo-jonowy należy magazynować w stanie całkowicie naładowanym i raz w miesiącu doładowywać.



**OSTROŻNIE**

Włożenie niewłaściwego akumulatora litowo-jonowego do gniazda ładowarki grozi zniszczeniem produktu, gniazda ładowarki lub akumulatora!

- Akumulatory litowo-jonowe wkładać tylko do przewidzianych dla nich gniazd.
- Akumulatory litowo-jonowe należy wkładać w poprawnej pozycji.

*Wskazówka*

*Przed rozpoczęciem ładowania należy wyłączyć akumulatorową maszynkę do strzyżenia FAV5 CL/FORTIS!*

*Wskazówka*

*Akumulatory litowo-jonowe nagrzewają się podczas ładowania.*

*Wskazówka*

*Gdy ładowarka nie jest używana, należy odłączyć jej przewód sieciowy od gniazda zasilającego!*

- Podłączenie ładowarki **4**: Podłączyć wtyczkę przyrządową przewodu sieciowego **5** do ładowarki **4**.
- Wtyczkę sieciową przewodu sieciowego **5** podłączyć do gniazda zasilającego.
- Akumulator litowo-jonowy **8** włożyć do gniazda ładowania **6** w ładowarce **4** i naładować do pełna. – lub –
- Akumulatorową maszynkę do strzyżenia FAV5 CL/FORTIS **2** z wsuniętym akumulatorem włożyć do gniazda ładowania **10** w ładowarce **4** i naładować. Wskaźnik poziomu naładowania **7** lub **9** zacznie świecić na czerwono.  
Po zakończeniu procesu ładowania wskaźnik poziomu naładowania **7/9** zacznie świecić na zielono, a akumulatorowa maszynka do strzyżenia FAV5 CL/FORTIS **2**/akumulator litowo-jonowy **8** będą gotowe do użycia.

## Akumulatorowa maszynka do strzyżenia FAV5 CL/FORTIS

### 4.2 Kontrola działania akumulatorowej maszynki do strzyżenia FAV5 CL/FORTIS

- Skontrolować wzrokowo.
- Sprawdzić położenie włącznika/wyłącznika.
- Włożyć akumulator, patrz Rozdział Wymiana akumulatora litowo-jonowego.
- Prawidłowo włożyć głowicę strzygącą i ewentualnie naoliwić, patrz Rozdział Posługiwanie się głowicą strzygącą.
- Naładowane akumulatory litowo-jonowe trzymać w stanie gotowości.
- Akumulatorową maszynkę do strzyżenia FAV5 CL/FORTIS wyczyścić przed użyciem, patrz Rozdział Czyszczenie/dezynfekcja.

### 4.3 Kontrola działania ładowarki

- Skontrolować wzrokowo.
- Przed podłączeniem produktu do sieci zasilania elektrycznego:
  - Należy skontrolować, czy przewód sieciowy **5** nie jest uszkodzony.
  - Produkt należy zbadać pod kątem możliwych uszkodzeń (np. czy styki gniazd ładowarki nie są wygięte).
- Podłączyć przewód sieciowy **5** do gniazda w stacji ładowania.
- Wtyczkę sieciową włożyć do gniazdka sieci elektrycznej.
- Akumulator litowo-jonowy **8** włożyć do gniazda ładowania **6** w ładowarce **4** i naładować do pełna.
  - lub -

- Akumulatorową maszynkę do strzyżenia FAV5 CL/FORTIS **2** z wsuniętym akumulatorem włożyć do gniazda ładowania **10** w ładowarce **4** i naładować. Wskaźnik poziomu naładowania **7** lub **9** zacznie świecić na czerwono.  
Po zakończeniu procesu ładowania wskaźnik poziomu naładowania **7/9** zacznie świecić na zielono, a akumulatorowa maszynka do strzyżenia FAV5 CL/FORTIS **2/akumulator litowo-jonowy 8** będą gotowe do użycia.  
Produkt jest gotowy do pracy.

### 4.4 Posługiwanie się głowicą strzygącą

#### 4.4.1 Szlifowanie płytki tnącej

##### *Wskazówka*

*W celu przeszlifowania płytki tnącej zwrócić się do serwisu technicznego, patrz Rozdział Serwis techniczny.*

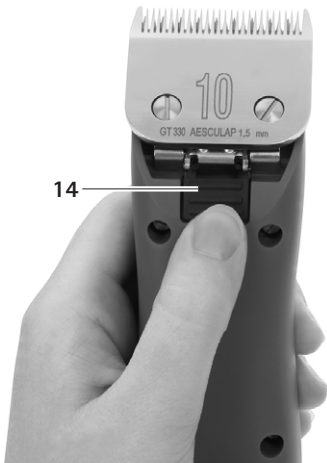
#### 4.4.2 Wymiana głowicy strzygącej



**OSTRZEŻENIE**

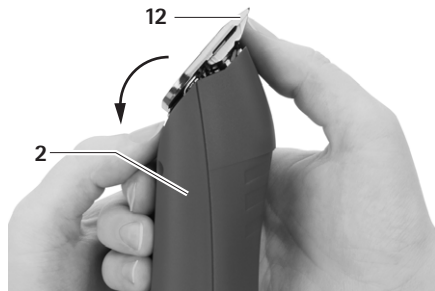
Ryzyko skaleczenia ostrymi płytkami tnącymi!

- Z głowicą strzygącą maszyny do strzyżenia FAV5 CL/FORTIS należy obchodzić się ostrożnie.



Rys. 3

- Nacisnąć włącznik/wyłącznik 11, aby wyłączyć akumulatorową maszynkę do strzyżenia FAV5 CL/FORTIS.
- Nacisnąć blokadę głowicy strzygącej 14, patrz Rys. 3.



Rys. 4

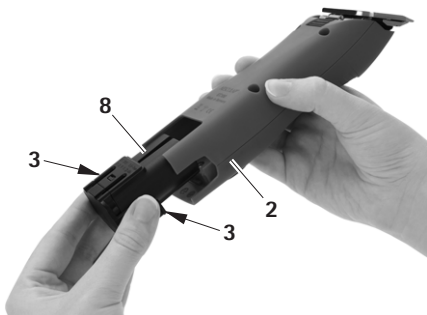
- Rozłożyć głowicę strzygącą 12 do przodu, patrz Rys. 4.
- Zdjąć głowicę strzygącą 12.
- Oczyszczyć rozłożony zawias nożowy za pomocą pędzelka.
- Nałożyć głowicę strzygącą 12 na zawias nożowy.
- Włożyć przewód sieciowy akumulatorowej maszyny do strzyżenia FAV5 CL/FORTIS.
- Nacisnąć włącznik/wyłącznik 11.
- Lekko nacisnąć głowicę strzygącą 12 w kierunku akumulatorowej maszyny do strzyżenia FAV5 CL/FORTIS.  
Nastąpi słyszalne zatrzaśnięcie głowicy strzygącej 12.
- Upewnić się, że głowica strzygąca 12 jest prawidłowo osadzona w akumulatorowej maszynce do strzyżenia FAV5 CL/FORTIS.

#### 4.4.3 Oliwienie głowicy strzygącej

- Miękką szmatką lub pędzelkiem wyczyścić górną i dolną płytkę tnącą. Upewnić się, że przerwy między zębami są czyste.
- Naoliwić lekko górną i dolną płytkę tnącą specjalnym olejem do głowic GT604.

## Akumulatorowa maszynka do strzyżenia FAV5 CL/FORTIS

### 4.4.4 Wymiana akumulatora litowo-jonowego



Rys. 5

- Chwycić akumulatorową maszynkę do strzyżenia FAV5 CL/FORTIS 2 i nacisnąć odblokowanie akumulatora 3.
- Wyciągnąć akumulator litowo-jonowy 8 z akumulatorowej maszynki do strzyżenia FAV5 CL/FORTIS 2.
- Wsunąć naładowany akumulator litowo-jonowy 8 do akumulatorowej maszynki do strzyżenia FAV5 CL/FORTIS 2 aż do oporu. Akumulatorowa maszynka do strzyżenia FAV5 CL/FORTIS 2 jest gotowa do użytku.

### 5.1 Czyszczenie/dezynfekcja

*Wskazówka*

*Przestrzegać przepisów dotyczących higieny i usuwania!*

#### Czyszczenie ręczne/dezynfekcja



**NIEBEZPIECZE-  
ŃSTWO**

Niebezpieczeństwo porażenia prądem i powstania pożaru!

- Przed czyszczeniem wyciągnąć wtyczkę z gniazda elektrycznego.
- Upewnić się, że płyny nie przedostały się do wnętrza produktu.
- Po zakończeniu czyszczenia / dezynfekcji produkt wietrzyć co najmniej przez minutę.



**OSTROŻNIE**

Niewłaściwe czyszczenie lub zastosowanie niewłaściwych środków czyszczących/dezynfekcyjnych grozi uszkodzeniami produktu!

- Do czyszczenia powierzchni stosować środki dostępne w handlu.
- Nigdy nie wkładać produktu do wody lub do płynu myjącego.
- Nie wlewać płynów do gniazd ładowarki.
- Z największą starannością czyścić styki gniazd ładowarki.



**OSTROŻNIE**

Maszynowe mycie/dezynfekcja lub sterylizacja grożą uszkodzeniem produktu!

- Produkt należy myć i dezynfekować wyłącznie ręcznie!
- Nigdy nie sterylizować produktu.

- Obudowę produktu wycierać niekłaczącą ściereczką nawilżoną dostępnym w handlu środkiem do dezynfekcji przez przecieranie.
- W razie potrzeby po upływie czasu oddziaływania resztki środka myjącego i dezynfekcyjnego zmyć za pomocą zwilżonej wodą, niekłaczącej ściereczki.

- Do osuszenia używać suchych, niekłaczących ściereczek.
- Styki w gniazdach ładowarki czyścić patyczkiem kosmetycznym i izopropanolem lub alkoholem etylowym. Nie stosować środków chemicznych wywołujących korozję.
- W razie potrzeby czyszczenie / dezynfekcję należy powtórzyć.

## 5.2 Kontrola, konserwacja i sprawdzanie

- Ostudzić produkt do temperatury pokojowej.
- Każdorazowo po zakończeniu czyszczenia i dezynfekcji sprawdzić produkt pod kątem: czystości, prawidłowości działania i obecności uszkodzeń.
- W razie potrzeby naoliwić głowicę strzygącą, patrz Rozdział Oliwienie głowicy strzygącej.
- Sprawdzić, czy produkt podczas pracy nie wydaje nieoczekiwanych odgłosów, nie nagrzewa się nadmiernie bądź zbyt silnie nie drga.
- Sprawdzić, czy ostrza głowicy strzygącej nie są uszkodzone, odłamane lub tępe.
- Uszkodzony produkt należy natychmiast wysortować.

## 6. Konserwacja

Aby zapewnić bezawaryjną pracę, firma Aesculap zaleca konserwację raz do roku.

### Adresy punktów serwisowych

Albert Kerbl GmbH  
Felizenzell 9  
84428 Buchbach / Germany  
Phone: +49 (0) 8086 933-100  
Fax: +49 (0) 8086 933-500  
E-Mail: [info@kerbl.com](mailto:info@kerbl.com)  
[www.kerbl.com](http://www.kerbl.com)

Adresy pozostałych punktów serwisowych można uzyskać pod powyższym adresem.

## Akumulatorowa maszynka do strzyżenia FAV5 CL/FORTIS

## 7. Wykrywanie i usuwanie usterek

## 7.1 Akumulatorowa maszynka do strzyżenia FAV5 CL/FORTIS

Usterka	Rozpoznanie	Przyczyna	Sposób usunięcia
Akumulatorowa maszynka do strzyżenia FAV5 CL/FORTIS nie włącza się	Sprawdzić położenie włącznika/wyłącznika	Akumulator litowo-jonowy nie jest naładowany	Naładować akumulator litowo-jonowy
	-	Akumulator litowo-jonowy uszkodzony	Włożyć nowy akumulator litowo-jonowy
	-	Akumulator litowo-jonowy nie jest włożony	Włożyć nowy akumulator litowo-jonowy
Akumulatorowa maszynka do strzyżenia FAV5 CL/FORTIS przerywa pracę	-	Akumulator litowo-jonowy wyłączony przez wyłącznik automatyczny	Wyłączyć i ponownie włączyć włącznik/wyłącznik
	-	Akumulator litowo-jonowy jest rozładowany	Włożyć nowy akumulator litowo-jonowy
Akumulatorowa maszynka do strzyżenia FAV5 CL/FORTIS nie ładuje się w stacji ładowania	Wskaźniki LED nie świecą się	-	patrz Rozdział Ładowarka i akumulator litowo-jonowy

## 7.2 Ładowarka i akumulator litowo-jonowy

Usterka	Rozpoznanie	Przyczyna	Sposób usunięcia
Ładowarka nie działa	Wskaźniki LED nie świecą się	Niepodłączony przewód zasilający	Wsadzić przewód zasilający w gniazdo zasilania w ładowarce i do gniazda elektrycznego
	Akumulator litowo-jonowy nie jest naładowany	Awaria przewodu zasilającego Ładowarka uszkodzona	Wymienić przewód zasilający Naprawa przez serwis producenta
Akumulator litowo-jonowy nie ładuje się	Akumulator litowo-jonowy włożony, ale nie świeci wskaźnik poziomu naładowania	Styki ładowarki zabrudzone lub uszkodzone	Oczyszczyć styki w gnieździe ładowarki, patrz Rozdział Czystczenie/dezynfekcja lub zlecić naprawę producentowi
		Akumulator litowo-jonowy uszkodzony	Naprawa akumulatora litowo-jonowego w serwisie producenta
		Ładowarka uszkodzona	Oddać ładowarkę do naprawy w serwisie producenta.
		Podczas ładowania na akumulatorze litowo-jonowym zostaje stwierdzona zbyt wysoka temperatura.	Wyciągnąć akumulator litowo-jonowy z gniazda, ochłodzić i ponownie rozpocząć proces ładowania. W razie ponownych zakłóceń przekazać akumulator do naprawy w serwisie producenta
		Usterka ładowania lub akumulator litowo-jonowy uszkodzony	Wyjąć akumulator litowo-jonowy z gniazda ładowarki i powtórzyć proces ładowania, ewentualnie w innym gnieździe. W przypadku ponownej usterki zlecić naprawę akumulatora litowo-jonowego w serwisie producenta

**Akumulatorowa maszynka do strzyżenia FAV5 CL/FORTIS****8. Serwis techniczny**

Wprowadzanie zmian konstrukcyjnych do urządzeń medycznych może skutkować utratą roszczeń z tytułu gwarancji lub rękojmi, jak również ewentualnych homologacji.

**Adresy punktów serwisowych**

Albert Kerbl GmbH

Felizenzell 9

84428 Buchbach / Germany

Phone: +49 (0) 8086 933-100

Fax: +49 (0) 8086 933-500

E-Mail: [info@kerbl.com](mailto:info@kerbl.com)

[www.kerbl.com](http://www.kerbl.com)

Adresy pozostałych punktów serwisowych można uzyskać pod powyższym adresem.



## 9. Akcesoria/części zamienne

Nr artykułu	Wersja	Przewód zasilający	Akumulator litowojonowy	Stacja ładowania	Akumulatorowa maszynka do strzyżenia	Akcesoria
GT306/ GT380	Europa poza Wielką Brytanią	<b>TA012170</b> płaska wtyczka europejska, czarna, L=1,8 m	GT201	GT200880	GT300/GT380 bez opakowania	GT604800 butelka z olejem
GT306G/ GT380G	Wielka Brytania	<b>TA012169</b> wtyczka GB, czarna, L=1,8 m	GT201	GT200880	GT300/GT380 bez opakowania	GT604800 butelka z olejem
GT306J/ GT380J	Japonia, Meksyk 110-125 V	<b>TA012168</b> 2-wtykowa wtyczka przyrządowa, czarna, L=1,8 m	GT201	GT200880	GT300/GT380 bez opakowania	GT604800 butelka z olejem
GT306K/ GT380K	USA	<b>TA012168</b> 2-wtykowa wtyczka przyrządowa, czarna, L=1,8 m	GT201	GT200880	GT300/GT380 bez opakowania	GT604800 butelka z olejem

## Akumulatorowa maszynka do strzyżenia FAV5 CL/FORTIS

## 10. Dane techniczne

## 10.1 Akumulatorowa maszynka do strzyżenia FAV5 CL/FORTIS

Typ urządzenia	GT300/GT380
Prędkość skokowa	2300 obr./min
Napięcie ładowania/ napięcie wyjściowe	maks. 8,4 V
Prąd ładowania / prąd wyjściowy	maks. 1,2 A
Ciężar (bez głowicy strzygącej i akumulatora)	385 g
Ciężar (z głowicą strzygącą i akumulatorem)	450 g
EN 60335-1, EN 60335-2-29	


## 10.2 Ładowarka

Typ urządzenia	GT203
Zakresy napięć zasilania (Pobór prądu)	100-240 V
Częstotliwość	50-60 Hz
Napięcie ładowania/ napięcie wyjściowe	maks. 8,4 V
Prąd ładowania/prąd wyjściowy	maks. 1,2 A
Ciężar	495 g
Znak kontrolny	CE, UL

## 10.3 Akumulator litowo-jonowy

Typ urządzenia	GT201
Typ akumulatora	Li
Napięcie stałe	7,4 V
Pojemność	ok. 1,2 A
Czas ładowania	50 min ±5 min

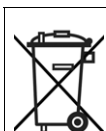
## 10.4 Deklaracja zgodności

	<p>Oświadczamy na własną odpowiedzialność, że niniejszy produkt jest zgodny z następującymi normami lub dokumentami normatywnymi: 2004/108/UE Dyrektywa o zgodności elektromagnetycznej: DIN EN 60335-1 DIN EN 60335-2-8 Bezpieczeństwo urządzeń elektrycznych do użytku domowego i innych celów - wymagania ogólne - dla golarek do włosów Aesculap Suhl GmbH</p>
---	--

## 11. Utylizacja

Narzędzia elektryczne, akcesoria i opakowanie należy przekazać do utylizacji zgodnie z przepisami o ochronie środowiska.

### 11.1 Tylko kraje UE



Nie należy wyrzucać narzędzi elektrycznych do odpadów z gospodarstw domowych!

Zgodnie z europejską dyrektywą 2012/19/EU w sprawie zużytego sprzętu elektrycznego i elektronicznego oraz właściwymi krajowymi przepisami implementacyjnymi nieużyteczne narzędzia elektryczne należy zbierać osobno i przekazać do utylizacji zgodnie z przepisami o ochronie środowiska.

### 11.2 Akumulatory litowo-jonowe

Nie wyrzucać akumulatorów do odpadów z gospodarstw domowych, do ognia ani wody. Uszkodzone lub zużyte akumulatory zgodnie z dyrektywą 2006/66/WE należy zbierać, poddać recyklingowi lub zutylizować zgodnie z przepisami o ochronie środowiska.

## 12. 2 lata gwarancji

Szanowni Klienci,

dziękujemy za wybór produktu naszej firmy.

Marka Aesculap do wielu dziesięcioleci symbolizuje sprawdzoną jakość oraz pierwszorzędny serwis. Naszym Klientom oferujemy innowacyjne i wydajne produkty. Aesculap wytwarza wysokiej klasy produkty i gwarantuje użycie wysokogatunkowych materiałów oraz staranne wykonanie. Jednocześnie zwracamy uwagę, że nie odpowiadamy za wady fizyczne naszych produktów, jeżeli powstają one w wyniku nieprawidłowego użycia, normalnego zużycia bądź stosowania nieodpowiednich lub niesprawnych produktów obcych producentów.

Do części, które podlegają normalnemu zużyciu i za które nie odpowiadamy, należą akumulator i głowica strzygąca. Z odpowiedzialności producenta wyłączone są także wady fizyczne, które nie wpływają bądź wpływają jedynie nieznacznie na wartość lub działanie produktu.

W ramach naszego świadczenia gwarancyjnego zastrzegamy sobie prawo do naprawy lub wymiany produktu.

## FAV5 CL/FORTIS 蓄电池剪毛机

### 图例

- 1 切割头柄
- 2 FAV5 CL/FORTIS 蓄电池剪毛机
- 3 蓄电池开锁器
- 4 充电器
- 5 电源线（带设备插头）
- 6 充电槽（适用于锂离子蓄电池）
- 7 充电状态显示器（适用于锂离子蓄电池）
- 8 锂离子蓄电池
- 9 充电状态显示器（适用于 FAV5 CL/FORTIS 蓄电池剪毛机）
- 10 充电槽（适用于 FAV5 CL/FORTIS 蓄电池剪毛机）
- 11 开启 / 关闭开关
- 12 切割头

### 产品上的符号

	遵守操作说明书
	符合 2012/19/EU (WEEE) 指令的电子和电气设备标记, 参见章节 报废处理

### 内容表

1.	安全操作 .....	147
2.	设备说明 .....	147
2.1	供货范围 .....	147
2.2	运行所需的组件 .....	147
2.3	FAV5 CL/FORTIS 蓄电池剪毛机用途 .....	147
2.4	GT203 充电器用途 /GT201 锂离子蓄电池 .....	148
2.5	FAV5 CL/FORTIS 蓄电池剪毛机的工作方式 .....	148
2.6	GT203 充电器 /GT201 锂离子蓄电池工作方式 .....	148
2.6.1	充电原则 .....	148
2.6.2	充电时间 .....	148
3.	准备和安放 .....	148

4.	使用 FAV5 CL/FORTIS 蓄电池剪毛机, GT203 充电器 /GT201 锂离子蓄电池 .....	149
4.1	系统设置 .....	149
4.1.1	连接配件 .....	149
4.1.2	插入切割头 .....	149
4.1.3	连接充电器 / 锂离子蓄电池充电 .....	149
4.2	FAV5 CL/FORTIS 蓄电池剪毛机功能检测 .....	150
4.3	充电器功能检测 .....	150
4.4	手动操作 切割头 .....	150
4.4.1	磨光刀片 .....	150
4.4.2	更换切割头 .....	151
4.4.3	给切割头润滑 .....	151
4.4.4	更换锂离子蓄电池 .....	152
5.	制备 .....	152
5.1	清洗 / 消毒 .....	152
5.2	监督、维护和检查 .....	152
6.	维护 .....	153
7.	识别和排除故障 .....	153
7.1	FAV5 CL/FORTIS 蓄电池剪毛机 .....	153
7.2	充电器和锂离子蓄电池 .....	154
8.	售后技术服务 .....	155
9.	配件 / 备件 .....	155
10.	技术参数 .....	156
10.1	FAV5 CL/FORTIS 蓄电池剪毛机 .....	156
10.2	充电器 .....	156
10.3	锂离子蓄电池 .....	156
10.4	合格声明 .....	156
11.	报废处理 .....	156
11.1	只针对欧盟国家 .....	156
11.2	锂离子蓄电池 .....	157
12.	2 年保障 .....	157

## 1. 安全操作



危险

电击导致生命危险！

- 切勿打开产品（除了在更换蓄电池时）。
  - 本品只允许连接到配有接地安全引线的供电网。
- 
- 在使用本品之前，检查其功能和状态是否正常。
  - 充电器和锂离子蓄电池在室温中保存。
  - 充电器和锂离子蓄电池要保持干燥。
  - 第一次使用前，须给蓄电池充电。
  - 注意“电磁兼容性 (EMV)”提示。
  - 为了避免安装或者运行不当导致损坏，以及不影响保修和生产商责任：
    - 本产品的使用必须遵照使用说明书。
    - 遵照安全信息和维护说明。
    - 只有在生产商同意的情况下才能使用操作说明书中未提及的配件。
  - 仅允许接受过必要的培训，具备相关知识和经验的人员操作和使用本品及其配件。
  - 将本操作说明书存放在用户可以触及的地方。
  - 遵守现行的标准。
  - 确保该房间的电气安装符合 IEC 的要求。
  - 通过拉拔设备插头，松开电源连接，绝对不要拉拔电缆。
  - 不要将产品安装在存在爆炸危险的区域。
  - 不可使用已损坏或有缺陷的产品。立即挑剔出不能用的产品。

说明

该设备允许 8 岁以上的儿童和身体、感官或精神方面能力不足及缺少经验和知识的人群使用，当他们被看管或已得到相关安全使用设备的指导并明白可能产生的危险。

- 不允许儿童用设备玩耍。
- 无看管的情况下，不得由儿童对设备进行清洗和维护。

## 2. 设备说明

### 2.1 供货范围

说明	产品编号
FAV5 CL/FORTIS 蓄电池剪毛机	GT300/GT380
锂离子蓄电池	GT201
充电器	GT203
电源线（带设备插头）	参见章节 配件/备件
操作说明书	TA013440

说明

GT330 #10 (USA+GB) 切割头 FAV5 CL/FORTIS 蓄电池剪毛机包含在供货范围内。根据具体使用情况，需采用不同的切割头！

### 2.2 运行所需的组件

- FAV5 CL/FORTIS 蓄电池剪毛机
- 切割头
- 充电器
- 电源线（带设备插头）
- 锂离子蓄电池

### 2.3 FAV5 CL/FORTIS 蓄电池剪毛机用途

说明

设备仅为剪切动物毛发而设计。

FAV5 CL/FORTIS 蓄电池剪毛机用于剪切小动物。

蓄电池剪毛机 FAV5 CL/FORTIS 需根据具体使用情况，插入切割头。

## FAV5 CL/FORTIS 蓄电池剪毛机

### 2.4 GT203 充电器用途 /GT201 锂离子蓄电池

GT203 充电器用于 FAV5 CL/FORTIS 蓄电池剪毛机和锂离子蓄电池。有相应的充电槽适用于这两个组件。

### 2.5 FAV5 CL/FORTIS 蓄电池剪毛机的工作方式

用开启 / 关闭开关向上打开和向下关闭 FAV5 CL/FORTIS 蓄电池剪毛机。

### 2.6 GT203 充电器 /GT201 锂离子蓄电池工作方式

GT203 充电器适用电压范围是 100 V 到 240 V 和频率在 50 Hz 到 60 Hz 的情况。

为了使运行准备就绪，用电源插座将 GT203 充电器连接在供电网上。

GT203 充电器有两个充电槽。第一个充电槽为 FAV5 CL/FORTIS 蓄电池剪毛机充电，第二个为锂离子蓄电池充电。

每个充电槽与充电器前面板上的各个指示区域分别对应。

将锂离子蓄电池插入充电站后，充电过程自动启动。

充电槽的充电时间取决于充电状态以及锂离子蓄电池的容量。

#### 2.6.1 充电原则

锂离子蓄电池用恒流电流脉冲充电。

充电过程中监测锂离子蓄电池的充电状态。通过监测充电曲线，确保 100% 的充电，无过载。

此外，还要监测蓄电池温度和充电时间。

充电器借助两个充电状态显示器监测蓄电池状态。

LED- 显示器：

- 绿色 = 蓄电池充满
- 红色 = 蓄电池空的

#### 2.6.2 充电时间

在达到最大充电时间后，充电过程终止。

充电时间约为 50 分钟。

## 3. 准备和安放

如果不遵守下列规定，对此 Aesculap 不承担任何责任。

- 在安装和运行本产品时遵守：
  - 关于安装和运行的国家规定，
  - 关于防火和防爆的国家规定。
  - 符合 IEC/VDE 规定的使用说明。



危险

#### 火灾和爆炸危险！

- 不要将产品安装在存在爆炸危险的区域。



注意

#### 安装不当会影响功能或损坏产品！

- 不得将产品置于阳光直射或潮湿的环境内。
- 不得覆盖产品的通风口。
- 额定电压在 100 V 到 240 V 和电源频率范围在 50 Hz 到 60 Hz 之间连接。
- 确保供电网上供该产品电源使用的电源插座可方便插拔。

## 4. 使用 FAV5 CL/FORTIS 蓄电池剪毛机，GT203 充电器 / GT201 锂离子蓄电池

## 4.1 系统设置

### 4.1.1 连接配件

只有规定用途明确需要时，才允许使用在操作说明书中没有提及的配件组合。不得对性能特征和安全要求造成负面影响。

### 4.1.2 插入切割头



警告

锋利的刀片具有造成伤害的危险！

- 小心操作 FAV5 CL/FORTIS 剪毛机的切割头。

#### 说明

GT330 #10 (USA+GB) 切割头 FAV5 CL/FORTIS 蓄电池剪毛机包含在供货范围内。根据具体使用情况，需采用不同的切割头！



图 1

- 测量铰链闭合时：测量铰链 13 用螺丝刀打开，参见图 1。

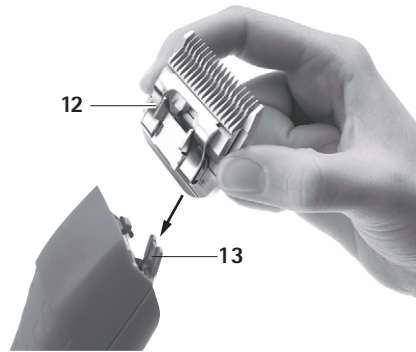


图 2

- 切割头 12 插在打开的测量铰链 13 上，参见图 2。
- 按下开启 / 闭合开关 11。
- 切割头 12 轻轻朝 FAV5 CL/FORTIS 剪毛机方向按压，参见图 2。
- 听到切割头 12 齿合。
- 确保切割头 12 正确位于 FAV5 CL/FORTIS 剪毛机上。

### 4.1.3 连接充电器 / 锂离子蓄电池充电



警告

接触液体或金属物件会导致电极短路，存在火灾危险！

- 锂离子蓄电池不得短路。



警告

受损的锂离子蓄电池会造成人员伤害或财产损失！

- 在充电前检查锂离子蓄电池是否损坏。
- 不得使用损坏的锂离子蓄电池或对其进行充电。

## FAV5 CL/FORTIS 蓄电池剪毛机



注意

存储时间过长会造成已放电的锂离子蓄电池容量 / 性能丧失！

- 锂离子蓄电池仅在充满电后才能长期储存并每月重新充电一次。



注意

在充电槽内插入错误的蓄电池类型会造成产品、充电槽或锂离子蓄电池的损坏！

- 锂离子蓄电池仅插入为其提供的充电槽内。
- 以正确的位置插入锂离子蓄电池。

说明

在充电前，关闭 FAV5 CL/FORTIS 蓄电池剪毛机！

说明

锂离子蓄电池在充电过程中易于加热。

说明

如果不使用充电器，需将电源线从插座上拔下！

- 连接充电器 4：将电源线的设备插头 5 插入充电器 4。
- 将电源线的设备插头 5 插入插座。
- 锂离子蓄电池 8 放入充电器 4 中的充电槽 6 中并充电。  
- 或 -
- FAV5 CL/FORTIS 蓄电池剪毛机 2 放入充电器 4 中的充电槽 10 中并充电。  
充电状态显示器 7 或 9 发出红色。  
充电过程结束后，充电状态显示器 7/9 发出绿色，FAV5 CL/FORTIS 蓄电池剪毛机 2/ 锂离子蓄电池 8 准备就绪。

### 4.2 FAV5 CL/FORTIS 蓄电池剪毛机功能检测

- 执行目检。
- 检查开关位置。
- 插入蓄电池，参见章节 更换锂离子蓄电池。

- 正确插入切割头，如有必要上润滑油，参见章节 手动操作 切割头。
- 准备好已充电的备用锂离子蓄电池。
- FavoritaCL/Libra 蓄电池剪毛机使用前需 清洗，参见章节 清洗 / 消毒。

### 4.3 充电器功能检测

- 执行目检。
- 在将本品连接到供电网上之前：
  - 检查电源线 5 可能出现的损坏。
  - 检查产品可能出现的损坏（例如：检查弯曲触点处充电槽的触点）。
- 将电源线 5 插入充电站的设备插头中。
- 将电源插头插入供电网的插座内。
- 锂离子蓄电池 8 放入充电器 4 中的充电槽 6 中并充电。  
- 或 -
- FAV5 CL/FORTIS 蓄电池剪毛机 2 放入充电器 4 中的充电槽 10 中并充电。  
充电状态显示器 7 或 9 发出红色。  
充电过程结束后，充电状态显示器 7/9 发出绿色，FAV5 CL/FORTIS 蓄电池剪毛机 2/ 锂离子蓄电池 8 准备就绪。  
产品运行准备就绪。

### 4.4 手动操作 切割头

#### 4.4.1 磨光刀片

说明

磨光刀片需向售后服务技术部求助，参见章节 售后服务。



#### 4.4.2 更换切割头



锋利的刀片具有造成伤害的危险！

➤ 小心操作 FAV5 CL/FORTIS 剪毛机的切割头。

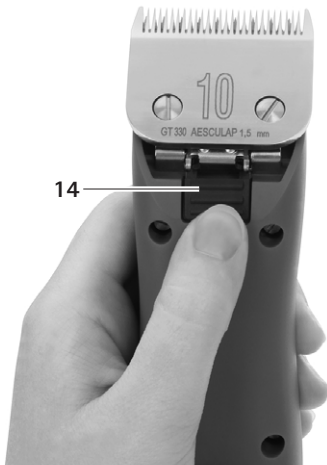


图 3

- 按下开启 / 关闭开关 11，以切断 FAV5 CL/FORTIS 蓄电池剪毛机。
- 按下切割头闭锁装置 14，参见图 3。



图 4

- 切割头 12 向前打开，参见图 4。
- 取下切割头 12。
- 用刷子清洗打开的测量铰链。
- 切割头 12 插在测量铰链上。
- 插入 FAV5 CL/FORTIS 蓄电池剪毛机的电源线。
- 按下开启 / 闭合开关 11。
- 切割头 12 轻轻朝 FAV5 CL/FORTIS 蓄电池剪毛机方向按压。
- 听到切割头 12 齿合。
- 确保切割头 12 正确位于 FAV5 CL/FORTIS 蓄电池剪毛机上。

#### 4.4.3 给切割头润滑

- 用软的抹布或刷子清洗上方和下方刀片。同时确保，锯齿间的空隙整洁。
- 上方和下方刀片轻轻用专门用于 GT604 刀头的油润滑。

## FAV5 CL/FORTIS 蓄电池剪毛机

### 4.4.4 更换锂离子电池

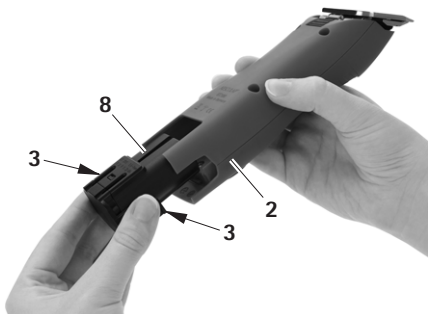


图 5

- 握着 FAV5 CL/FORTIS 蓄电池剪毛机 2 并按下蓄电池开锁装置 3。
- 将锂离子电池 8 从 FAV5 CL/FORTIS 蓄电池剪毛机 2 中取出。
- 将充电过的锂离子电池 8 推入 FAV5 CL/FORTIS 蓄电池剪毛机 2 直至止档位置。

FAV5 CL/FORTIS 蓄电池剪毛机 2 已准备就绪。

## 5. 制备



注意

**用机器清洗 / 消毒或灭菌会损坏或者破坏本品！**

- 只能手动清洗 / 消毒本品。
- 本品绝不能作灭菌处理。

### 5.1 清洗 / 消毒

说明

遵守报废处理和卫生规定！

### 手工清洗 / 消毒



危险

**电击和火灾危险！**

- 在清洗前拔出电源插头。
- 确保液体不会流入本品内部。
- 清洗 / 消毒后至少通风 1 分钟。



注意

**不当清洗或使用不当清洗剂 / 消毒剂会造成产品损坏！**

- 使用通常处理方法清洗表面。
- 不得将产品置于水中或清洗剂中。
- 不得将液体带入充电槽内。
- 要非常小心地清洁充电槽内的触点。

- 用不起毛的，且用通常处理方法擦拭消毒的抹布擦拭产品外壳。
- 如有需要，将过了作用时间的清洗剂和消毒剂残留物用一块在干净水中浸湿的不起毛抹布擦拭。
- 用干净、不起毛的抹布擦干。
- 使用棉签和异丙醇或酒精清洁充电槽内的触点。不要使用任何腐蚀性化学药品。
- 如果需要，重复清洗 / 消毒。

### 5.2 监督、维护和检查

- 将产品冷却至室温。
- 每次清洗和消毒后检查产品是否有：洁净度、功能和损坏情况。
- 如有需要，对切割头润滑，参见章节 给切割头润滑。
- 检查本品是否有损坏、不规则的运行噪声、过热或者振动过大。
- 检查切割头的刀刃是否断裂、损坏或者不锋利。
- 立即挑剔出不能用的产品。

## 6. 维护

为了保障运行可靠，建议 Aesculap 至少每年进行一次保养。

### 服务部门地址

Albert Kerbl GmbH  
Felizenzell 9  
84428 Buchbach / Germany  
Phone: +49 (0) 8086 933-100  
Fax: +49 (0) 8086 933-500  
E-Mail: info@kerbl.com  
www.kerbl.com

可以从上述地址中获得其它服务部门的地址。

## 7. 识别和排除故障

### 7.1 FAV5 CL/FORTIS 蓄电池剪毛机

故障	识别	原因	排除方法
FAV5 CL/FORTIS 蓄电池剪毛机无法启动	检查开关位置	锂离子蓄电池无法充电	锂离子蓄电池充电
	-	锂离子蓄电池损坏	更换新的锂离子蓄电池
	-	锂离子蓄电池无法更换	更换新的锂离子蓄电池
FAV5 CL/FORTIS 蓄电池剪毛机停止工作	-	通过保护电路切断锂离子蓄电池	关闭并重新打开开关
	-	锂离子蓄电池没电了	更换新的锂离子蓄电池
FAV5 CL/FORTIS 蓄电池剪毛机在充电站无法充电	LED 显示器不亮	-	参见章节 充电器和锂离子蓄电池

## FAV5 CL/FORTIS 蓄电池剪毛机

## 7.2 充电器和锂离子蓄电池

故障	识别	原因	排除方法
充电器不工作	LED 显示器不亮	没有插好电源连接线	将电源连接线插在充电器的插头上和供电网的插座内
	锂离子蓄电池无法充电	电源连接线故障	更换电源连接线
充电器故障		由生产商维修产品	
锂离子蓄电池无法充电	插入锂离子蓄电池，充电状态指示灯不亮	充电器触点被污染或损坏	清洗充电槽中的触点，参见章节 清洗/消毒或由生产商维修
		锂离子蓄电池损坏	锂离子蓄电池由生产商维修
		充电器故障	由生产商维修充电器
		在充电进程中，检测锂离子蓄电池内是否温度过高	将锂离子蓄电池从充电槽中取出，使其冷却，并重新启动充电进程。 再次出现故障时，由生产商对蓄电池进行维修
		充电故障或锂离子蓄电池受损	将锂离子蓄电池从充电槽中取出并重新启动充电进程，必要时在其他充电槽进行。 再次出现故障时，由生产商对锂离子蓄电池进行维修

## 8. 售后技术服务

对医疗设备的改动可能导致保修以及可能的许可失效。

### 服务部门地址

Albert Kerbl GmbH

Felizenzell 9

84428 Buchbach / Germany

Phone: +49 (0) 8086 933-100

Fax: +49 (0) 8086 933-500

E-Mail: info@kerbl.com

www.kerbl.com

可以从上述地址中获得其它服务部门的地址。

## 9. 配件 / 备件

产品编号	规格	电源线	锂离子蓄电池	充电站	蓄电池剪毛机	配件
GT306 / GT380	欧洲 除了英国	TA012170 欧洲扁形插头, 黑色, L=1.8 m	GT201	GT200880	GT300/GT380 未包装	GT604800 润滑油瓶
GT306G / GT380G	英国	TA012169 GB- 插头, 黑色 L=1.8 m	GT201	GT200880	GT300/GT380 未包装	GT604800 润滑油瓶
GT306J / GT380J	日本、墨西哥 110-125 V	TA012168 2-极-设备插座, 黑色, L=1.8 m	GT201	GT200880	GT300/GT380 未包装	GT604800 润滑油瓶
GT306K / GT380K	美国	TA012168 2-极-设备插座, 黑色, L=1.8 m	GT201	GT200880	GT300/GT380 未包装	GT604800 润滑油瓶

## FAV5 CL/FORTIS 蓄电池剪毛机

## 10. 技术参数

## 10.1 FAV5 CL/FORTIS 蓄电池剪毛机

仪器类型	GT300/GT380
冲程数	2 300 1/ 分
充电电压 / 输出电压	最大 8.4 V
充电电压 / 输出电流	最大 1.2 A
重量 (不包括切割头和蓄电池)	385 g
重量 (包括切割头和蓄电池)	450 g
EN 60335-1, EN 60335-2-29	


## 10.2 充电器

仪器类型	GT203
电源电压范围 (功耗)	100-240 V
频率	50-60 Hz
充电电压 / 输出电压	最大 8.4 V
充电电压 / 输出电流	最大 1.2 A
重量	495 g
检验标志	CE, UL

## 10.3 锂离子蓄电池

仪器类型	GT201
电池类型	锂
直流电压	7.4 V
电容	约 1.2 Ah
充电时间	50 分 ±5 分


## 10.4 合格声明

	我们负责任地声明，该产品与以下规格或标准文件一致：
	2004/108/EG EMV- 条例： DIN EN 60335-1 DIN EN 60335-2-8 家用和类似用途电气设备安全须知 - 适用于 - 毛发剪毛机的一般要求 Aesculap Suhl GmbH

## 11. 报废处理

电子工具、附件和包装应符合环保地回收利用。

## 11.1 只针对欧盟国家

	请勿将电气工具投入家庭垃圾中！
	依据有关电子和电气旧设备和进入国家法律的转化欧盟条例 2012/19/EU，不再使用的电子工具需单独收集并符合环保地回收利用。

## 11.2 锂离子蓄电池

蓄电池不能投入家庭垃圾、火或水中。损坏或使用过的蓄电池必须依据条例 2006/66/EG 收集、回收或以环保的方式报废处理。

## 12. 2 年保障

尊敬的客户，

衷心感谢您选择我们的产品。

Aesculap 品牌几十年来都代表着历经考验的质量和一流的服务。我们为我们的客户提供创新和高效的产品。Aesculap 生产高品质的设备并向您保证，我们使用高品质的材质和采用精细的做工。友情提示，由于不当使用、正常损耗或由于不当使用产品或使用不合适及有缺陷功能的其他产品造成的产品缺陷，我们不承担责任。

典型的磨损件和我们不担保的部件包括电池和切割头。除了未造成影响或只是微小影响的部件或功能的缺陷。



我们保留在保障期内修理或更换产品的责任。

## 充電電池駆動ヘアカッター FAV5 CL/FORTIS

### 記号等説明

- 1 カッターヘッドホルダー
- 2 充電電池駆動ヘアカッター FAV5 CL/FORTIS (フォーティス)
- 3 充電電池アンロック
- 4 チャージャー
- 5 電源ケーブル (装置プラグ付き)
- 6 充電用ポア (リチウムイオン充電池用)
- 7 充電状態インジケーター (リチウムイオン充電池用)
- 8 リチウムイオン充電池
- 9 充電状態インジケーター (充電電池駆動ヘアカッター FAV5 CL/FORTIS 用)
- 10 充電用ポア (充電電池駆動ヘアカッター FAV5 CL/FORTIS 用)
- 11 オン/オフスイッチ
- 12 カッターヘッド

### 商品シンボル

	取扱説明書に従ってください
	欧州指令 2012/19/EU (WEEE) 準拠による電気電子機器の標識、章を参照してください 廃棄処分

### 目次

1	安全な取扱い	159
2	装置の説明	159
2.1	納品内容	159
2.2	使用のために必要な部品	160
2.3	充電電池駆動ヘアカッター FAV5 CL/FORTIS の使用目的	160
2.4	チャージャー GT203/ リチウムイオン充電池 GT201 の使用目的	160
2.5	充電電池駆動ヘアカッター FAV5 CL/FORTIS の機能概要	160
2.6	GT203/ リチウムイオン充電池 GT201 チャージャーの機能概要	160
2.6.1	充電原理	160
2.6.2	充電時間	160
3	準備および据付	161
4	充電電池駆動ヘアカッター FAV5 CL/FORTIS、チャージャー GT203/ リチウムイオン充電池 GT201 の使い方	161
4.1	準備	161
4.1.1	アクセサリを接続する	161
4.1.2	カッターヘッドを差し込む	161
4.1.3	チャージャーを接続/ リチウムイオン充電池を充電する	162
4.2	充電電池駆動ヘアカッター FAV5 CL/FORTIS の機能確認	163
4.3	チャージャー機能の確認	163
4.4	カッターヘッドの取り扱い方法	164
4.4.1	カッターエッジの研磨	164
4.4.2	カッターヘッドを交換する	164
4.4.3	カッターヘッドの潤滑	164
4.4.4	リチウムイオン充電池の交換	165
5	準備	165
5.1	洗浄/消毒	165
5.2	点検、お手入れと確認	166
6	メンテナンス	166
7	エラー/故障を見つけ解決する	167
7.1	充電電池駆動ヘアカッター FAV5 CL/FORTIS (フォーティス)	167
7.2	チャージャーとリチウムイオン充電池	168
8	テクニカルサービス	169
9	アクセサリ/交換部品	169
10	テクニカルデータ	170
10.1	充電電池駆動ヘアカッター FAV5 CL/FORTIS (フォーティス)	170
10.2	チャージャー	170
10.3	リチウムイオン充電池	170
10.4	準拠性宣言	170
11	廃棄処分	170
11.1	EU のみ該当	170
11.2	リチウムイオン充電池	171
12	2年保証	171



## 1. 安全な取扱い



危険

### 感電による生命の危険！

- 製品を開かないでください（充電電池の交換は例外です）。
- 製品は保護接地導体のある電力網のみと接続してください。
- 製品をご使用になる前に機能することおよび規定通りの状態であることを確認してください。
- チャージャーとリチウムイオン充電電池は室温で保管してください。
- チャージャーとリチウムイオン充電電池は乾燥状態に維持してください。
- 初めてご使用になる前にリチウムイオン充電電池を充電してください。
- 「電磁両立性（EMC）についての注意事項」に従ってください。
- 不正な取り外しや運転による損害を防止し、保証および賠償責任を無効にしないために：
  - 製品を本取扱説明書に従ってのみご仕様ください。
  - 安全情報およびメンテナンス上の注意事項を遵守してください。
  - 取扱説明書に記載のないアクセサリは製造者の同意を得てからのみ使用可能です。
- 製品とアクセサリは必要な訓練を受け、知識または経験のある要員のみ運用し使用することができます。
- 取扱説明書はユーザーがすぐ手に取れるように保管してください。
- 適用規格を遵守してください。
- 使用室内の電気設備が IEC 要件に準拠することを確認してください。
- 電力網との接続部は装置のプラグを引き抜いて切断し、決してケーブルを引いて行わないでください。

- 製品を爆発性雰囲気の中で使用しないでください。
- 損傷していたり胡椒している製品を使用しない。損傷している製品は直ちに分別してください。

### 注意

この装置は 8 歳以上の子供および使用経験や知識に関する肉体的、知覚的または精神的な能力または障害を持つ人が使用することができます。但し、監督されるまたは装置の安全な使用について指示されたことおよび使用に起因する危険を理解したことが前提条件です。

- 子供にこの装置で遊ばせないでください。
- この装置の清掃および保守は子供には監督無く行わせないでください。

## 2. 装置の説明

### 2.1 納品内容

名称	商品番号
充電電池 駆動ヘアカッター FAV5 CL/FORTIS（フォーティス）	GT300/GT380
リチウムイオン充電電池	GT201
チャージャー	GT203
電源ケーブル（装置プラグ付き）	章を参照してください アクセサリ/交換部品
取扱説明書	TA013440

### 注意

充電電池駆動ヘアカッター FAV5 CL/FORTIS のカッターヘッド GT330 #10（米国 + イギリス）は納品に含まれません。使用目的に応じて異なるカッターヘッドを使用することができます。

## 充電電池駆動ヘアカッター FAV5 CL/FORTIS

### 2.2 使用のために必要な部品

- 充電電池駆動ヘアカッター FAV5 CL/FORTIS (フォーテイス)
- カッターヘッド
- チャージャー
- 電源ケーブル (装置プラグ付き)
- リチウムイオン充電電池

### 2.3 充電電池駆動ヘアカッター FAV5 CL/FORTIS の使用目的

#### 注意

この装置は動物の毛をカットすることのみ目的に製造されています。

充電電池駆動ヘアカッター FAV5 CL/FORTIS は小型動物のヘアカット用にご使用ください。

充電電池駆動ヘアカッター FAV5 CL/FORTIS はご使用方法に応じて1個のカッターヘッドを付けてご使用になります。

### 2.4 チャージャー GT203/ リチウムイオン充電電池 GT201 の使用目的

チャージャー GT203 は充電電池駆動ヘアカッター FAV5 CL/FORTIS およびリチウムイオン充電電池の充電用です。両方のコンポーネントごとに1個の充電用ボが付いています。

### 2.5 充電電池駆動ヘアカッター FAV5 CL/FORTIS の機能概要

充電電池駆動ヘアカッター FAV5 CL/FORTIS はオン/オフスイッチを上へ押すと電源が入り、下へ押すと電源が切れます。

### 2.6 GT203/ リチウムイオン充電電池 GT201 チャージャーの機能概要

チャージャー GT203 は電源電圧領域 100 V ~ 240 V/ 50 Hz ~ 60 Hz 用です。

使用するにはチャージャー GT203 の電源プラグをコンセントに差し込んでください。

チャージャー GT203 には充電用ボアが2個あります。一つの充電用ボアで充電電池駆動ヘアカッター FAV5 CL/FORTIS に充電し、もう一つの充電用ボアでリチウムイオン充電電池を充電します。

充電用ボアはチャージャー前面にあるインジケーターに対応しています。k

リチウムイオン充電電池をチャージステーションに差し込むと充電が自動的に開始されます。

充電用ボアでの充電時間はリチウムイオン充電電池の容量により異なります。

#### 2.6.1 充電原理

リチウムイオン充電電池はdcインパルスで充電されます。

リチウムイオン充電電池の充電状態は充電中に監視されています。充電曲線を監視しているため100% 充電状態が過剰充電無く確実になっています。

追加的に充電電池の温度と充電時間も監視されません。

チャージャーの充電状態インジケーターに充電状態が表示されます。

LED ランプ:

- 緑 = フル充電
- 赤 = 充電電池消耗

#### 2.6.2 充電時間

最大充電時間に達すると充電は中断されます。充電時間は約 50 分です。

### 3. 準備および据付

以下の規定に従わない場合は、Aesculap（エースクラップ）は一切責任を負いません。

- この製品の据付および使用時には以下のことに従ってください。
  - 国別の設置規定および運用者の規定、
  - 防火・防爆に関する国別規定。
  - ご使用方法は IEC-VDE の規定に従います。



危険

**火災および爆発の危険！**

- 製品を爆発性雰囲気の中で使用しないでください。



注意

不正な据付を行った場合本製品は機能障害または損傷することがあります！

- 製品を直射日光や水分に暴露しないでください。
- 製品の通気用スリットを覆わないでください。
- 定格電圧 100 V ~ 240 V、電源周波数 50 Hz ~ 60 Hz に接続してください。
- 製品の電圧供給用を使用する電力網のコンセントに自由にアクセスできることを確認してください。

### 4. 充電電池駆動へアキッター FAV5 CL/FORTIS、チャ ジャー GT203/ リチウムイ オン充電電池 GT201 の使い方

#### 4.1 準備

##### 4.1.1 アクセサリーを接続する

取扱説明書に記載のないアクセサリーの組み合わせは意図されている使用目的のために明示的に決められている場合のみご使用可能です。性能特長ならびに安全要件に不利な影響が及ぶことはできません。

##### 4.1.2 カッターヘッドを差し込む



警告

**鋭利なカッターエッジによる負傷の危険！**

- ヘアカッター FAV5 CL/FORTIS のカッターヘッドは慎重にお取り扱いください。

## 充電電池駆動ヘアカッター FAV5 CL/FORTIS

### 注意

ヘアカッターFAV5 CL/FORTISのカッターヘッドGT330 #10(米国+イギリス)は納品に含まれます。使用目的に応じて異なるカッターヘッドを使用することができます。



図 1

- 刃のヒンジが閉じている場合：刃のヒンジ 13 ドライバーで開きます、を参照してください図 1。

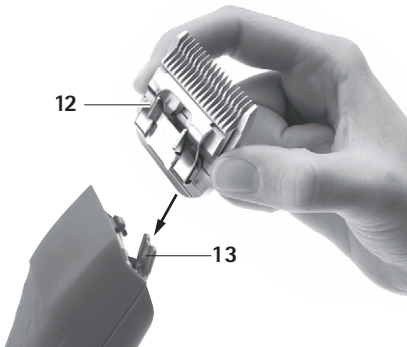


図 2

- カッターヘッド 12 を開いた刃のヒンジ 13 に差し込みます、を参照してください図 2。
- オン/オフスイッチ 11 を押します。

- カッターヘッド 12 をヘアカッター FAV5 CL/FORTIS の方へ軽く押します、を参照してください図 2。  
カッターヘッド 12 が嵌る音がします。
- カッターヘッド 12 がヘアカッター FAV5 CL/FORTIS の正しい位置に載っているか確認してください。

### 4.1.3 チャージャーを接続/リチウムイオン充電電池を充電する



警告

液体や金属部品 / 片による極のショートによる火災の危険!

- リチウムイオン充電電池をショートさせない。



警告

リチウムイオン充電電池を使用すると負傷の危険や物損がありえます!

- リチウムイオン充電電池は充電前に損傷していないか確認してください。
- 損傷しているリチウムイオン充電電池を使用/充電しないでください。



注意

長期間保管するとリチウムイオン充電電池の容量 / 性能が損失します!

- リチウムイオン充電電池を長期間保管するときはフル充電してから保管し、月一回補給充電してください。



### 注意

充電用ボアに種類が異なる充電池を繋ぐと製品、充電用ボアまたはリチウムイオン充電池の破損があります！

- リチウムイオン充電池は専用充電用ボアのものに繋いでください。
- リチウムイオン充電池の向きを正しく入れてください。

### 注意

充電前には充電池駆動ヘアカッター FAV5 CL/FORTIS の電源を切ってください！

### 注意

リチウムイオン充電池は充電中に若干暖かくなります。

### 注意

チャージャーを使用しないときは電源ケーブルをコンセントから抜いてください！

- チャージャー 4 を接続する：電源ケーブル 5 のプラグをチャージャー 4 に差し込みます。
- 電源ケーブル 5 のプラグをコンセントに差し込みます。
- リチウムイオン充電池 8 を充電用ボア 6 (チャージャー 4 の) に立てて充電します。  
-または-
- 充電池駆動ヘアカッター FAV5 CL/FORTIS 2 を充電用ボア 10 (チャージャー 4 の) に立てて充電します。  
充電状態インジケーター 7 または 9 が赤く点灯します。  
充電が完了すると充電状態インジケーター 7/9 緑に点灯し、充電池駆動ヘアカッター FAV5 CL/FORTIS 2/ リチウムイオン充電池 8 をご使用になれます。

## 4.2 充電池駆動ヘアカッター FAV5 CL/FORTIS の機能確認

- 目視点検を実行してください。
- スイッチの位置を確認してください。
- 充電池を差し込む、章を参照してくださいリチウムイオン充電池の交換。
- カッターヘッドを正しく差し込み、必要に応じて潤滑油を付けます、章を参照してくださいカッターヘッドの取り扱い方法。
- 充電された予備のリチウムイオン充電池をご用意ください。
- 充電池駆動ヘアカッター FAV5 CL/FORTIS をご使用前に清掃してください、章を参照してください洗浄/消毒。

## 4.3 チャージャー機能の確認

- 目視点検を実行してください。
- 製品を電力網コンセントに接続する前に
  - 電源ケーブル 5 が損傷していないか確認します。
  - 製品が損傷していないか確認します (充電用ボアの接点の曲がり等)。
- 電源ケーブル 5 をチャージャーの装置プラグに差し込みます。
- 電源プラグを電力網のコンセントに差し込みます。
- リチウムイオン充電池 8 を充電用ボア 6 (チャージャー 4 の) に立てて充電します。  
-または-
- 充電池駆動ヘアカッター FAV5 CL/FORTIS 2 を充電用ボア 10 (チャージャー 4 の) に立てて充電します。  
充電状態インジケーター 7 または 9 が赤く点灯します。  
充電が完了すると充電状態インジケーター 7/9 緑に点灯し、充電池駆動ヘアカッター FAV5 CL/FORTIS 2/ リチウムイオン充電池 8 をご使用になれます。  
製品を使用開始できます。

## 充電電池駆動ヘアカッター FAV5 CL/FORTIS

### 4.4 カッターヘッドの取り扱い方法

#### 4.4.1 カッターエッジの研磨

##### 注意

カッターエッジの研磨はテクニカルサービスにお任せください、章を参照してくださいテクニカルサービス。

#### 4.4.2 カッターヘッドを交換する



警告

鋭利なカッターエッジによる負傷の危険！

- ヘアカッター FAV5 CL/FORTIS のカッターヘッドは慎重にお取り扱いください。

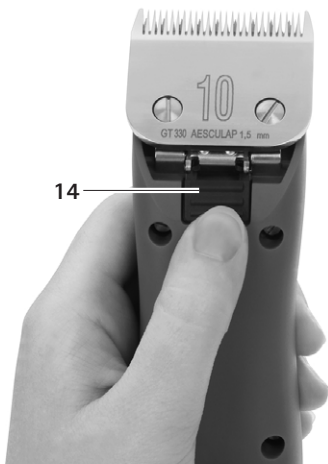


図 3

- オン/オフスイッチ 11 を押して充電電池駆動ヘアカッター FAV5 CL/FORTIS の電源を切ります。
- カッターヘッドロック 14 を押します、を参照してください図 3。

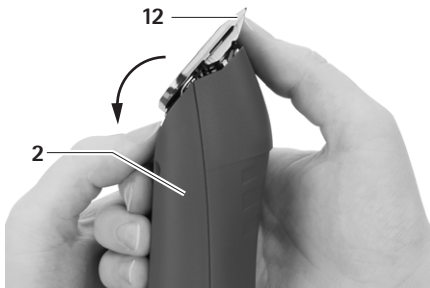


図 4

- カッターヘッド 12 を前へ返します、を参照してください図 4。
- カッターヘッド 12 を取り外します。
- 開いた刃のヒンジを筆で清掃します。
- カッターヘッド 12 を刃のヒンジに差し込みます。
- 充電電池駆動ヘアカッター FAV5 CL/FORTIS の電源ケーブルを差し込みます。
- オン/オフスイッチ 11 を押します。
- カッターヘッド 12 を充電電池駆動ヘアカッター FAV5 CL/FORTIS の方へ軽く押します。カッターヘッド 12 が嵌る音がします。
- カッターヘッド 12 が充電電池駆動ヘアカッター FAV5 CL/FORTIS の正しい位置に載っているか確認してください。

#### 4.4.3 カッターヘッドの潤滑

- 柔らかい布や筆を使って上/下カッターエッジを清掃してください。このときコームの隙間がきれいなことを確認してください。
- 上下のカッターエッジをカッターヘッド 用特殊潤滑油 GT604 で軽く潤滑します。

#### 4.4.4 リチウムイオン充電電池の交換

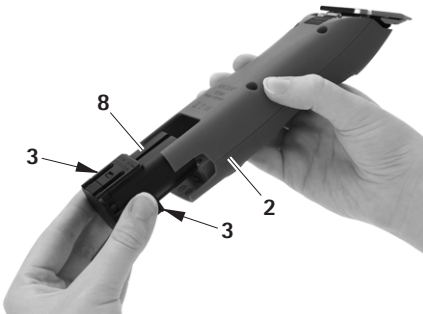


図 5

- 充電電池駆動ヘアカッター FAV5 CL/FORTIS 2 を手に持ち、充電電池アンロック 3 を押します。
- リチウムイオン充電電池 8 を充電電池駆動ヘアカッター FAV5 CL/FORTIS 2 から抜き取ります。
- 充電したリチウムイオン充電電池 8 を充電電池駆動ヘアカッター FAV5 CL/FORTIS 2 にストップまで押し込みます。  
充電電池駆動ヘアカッター FAV5 CL/FORTIS 2 をご使用になれます。

## 5. 準備



注意

機械を使用して清掃や消毒または滅菌処理を行うと製品が損傷または破損します！

- 製品は手でのみ清掃/消毒してください。
- 製品を絶対に滅菌処理しないでください。

## 5.1 洗浄／消毒

注意

廃棄処分規定および衛生規定に従って下さい！

手作業による洗浄／消毒



危険

感電および火災の危険！

- 清掃前に電源プラグを抜いてください。
- 液体が製品に侵入しないようにしてください。
- 清掃/消毒後、少なくとも1分間自然乾燥させます。



注意

不正な清掃または不正な洗浄/消毒液によって製品が損傷します！

- 表面の清掃には市販の液剤をご使用ください。
- 製品を水や洗浄液に浸さないでください。
- 液体が充電用ボアに侵入しないようにしてください。
- 充電用ボア内の接点を細心の注意を払ってよく清掃してください。

- 製品のケースは糸くずが立たない布に市販の消毒液を湿らせて拭き取ってください。
- 必要なら残余清掃/消毒液を効果が出る時間放置した後できれいな水を湿らせた糸くずが立たない布で拭き取ってください。
- きれいな糸くずが立たない布で拭きとって乾燥させます。
- 充電用ボア内の接点をイソプロパノールまたはエチルアルコールおよび綿棒で清掃します。腐食性薬剤を使用しないでください。
- 必要なら、清掃/消毒を繰り返します。

## 充電電池駆動ヘアカッター FAV5 CL/FORTIS

### 5.2 点検、お手入れと確認

- 製品は室温で冷まします。
- 製品は清掃 / 消毒が完了するたびに以下の点を確認してください。清潔であること、機能性、損傷。
- カッターヘッドを必要ならオイルで潤滑します、章を参照してくださいカッターヘッドの潤滑。
- 製品の損傷、異常なノイズ、過熱または強すぎる振動がないか確認します。
- カッターヘッドの破損、損傷や切れなくなった刃がないか点検します。
- 損傷している製品は直ちに分別してください。

## 6. メンテナンス

信頼してご使用頂けるように、Aesculap（エースクラブ）は年一回のメンテナンスを行うようにお勧めします。

### サービス拠点

Albert Kerbl GmbH

Felizenzell 9

84428 Buchbach / Germany

Phone: +49 (0) 8086 933-100

Fax: +49 (0) 8086 933-500

E-Mail: [info@kerbl.com](mailto:info@kerbl.com)

[www.kerbl.com](http://www.kerbl.com)

その他のサービス拠点については上記の住所までお問い合わせください。



## 7. エラー / 故障を見つけ解決する

### 7.1 充電池駆動へアッター FAV5 CL/FORTIS (フォーティス)

障害	症状	原因	対策
充電池駆動へアッター FAV5 CL/FORTIS が作動しない	スイッチの位置を確認する	リチウムイオン充電池が充電されていない	リチウムイオン充電池を充電する
	-	リチウムイオン充電池が故障している	新しいリチウムイオン充電池を入れる
	-	リチウムイオン充電池が入っていない	新しいリチウムイオン充電池を入れる
充電池駆動へアッター FAV5 CL/FORTIS が停止したままである	-	リチウムイオン充電池が保護スイッチによってオフになっている	スイッチを切り、再び入れる
	-	リチウムイオン充電池が消耗した	新しいリチウムイオン充電池を入れる
充電池駆動へアッター FAV5 CL/FORTIS をチャージャーで充電できない	LED ランプが点灯しない	-	章を参照してください チャージャーとリチウムイオン充電池

## 充電電池駆動ヘアカッター FAV5 CL/FORTIS

### 7.2 チャージャーとリチウムイオン充電電池

障害	症状	原因	対策
チャージャーが機能しない	LED ランプが点灯しない	電源ケーブルがコンセントから抜けている	電源ケーブルをチャージャーの装置プラグおよび電力網のコンセントに差し込む
	リチウムイオン充電電池が充電されていない	電源ケーブルの不具合	電源ケーブルを交換する
チャージャーの不具合		製品をメーカーに修理させてください	
リチウムイオン充電電池が充電されない	リチウムイオン充電電池を差し込んでも充電状態インジケータが点灯しない	チャージャーの接点が汚れているまたは損傷している	充電用ポアの接点を清掃する、章を参照してください 洗浄／消毒またはメーカーに修理させてください
		リチウムイオン充電電池が故障している	リチウムイオン充電電池をメーカーに修理させてください
		チャージャーの不具合	チャージャーをメーカーに修理させてください
		充電中にリチウムイオン充電電池の過熱が検出された	リチウムイオン充電電池を充電用ポアから取り出し、冷ましてから充電を再開する。 充電電池の障害がまだある場合はメーカーに修理させてください
		充電の障害またはリチウムイオン充電電池の不具合	リチウムイオン充電電池を充電用ポアから取り出し、充電をやり直すか、必要ならもう一つの充電ポアに入れる。 障害がまだあればリチウムイオン充電電池をメーカーに修理させてください

## 8. テクニカルサービス

医療技術機器の改造は保証 / 填補請求権の無効化や、該当する場合には認可の失効がありえます。

### サービス拠点

Albert Kerbl GmbH  
Felizenzell 9  
84428 Buchbach / Germany  
Phone: +49 (0) 8086 933-100  
Fax: +49 (0) 8086 933-500  
E-Mail: info@kerbl.com  
www.kerbl.com

その他のサービス拠点については上記の住所までお問い合わせください。

## 9. アクセサリー / 交換部品

商品番号	仕様	電源ケーブル	リチウムイオン充電電池	チャージステーション	充電池駆動ヘアカッター	アクセサリ
GT306 / GT380	欧州 イギリスを除く	TA012170 欧州フラット タイププラグ、 黒、 L=1.8 m	GT201	GT200880	GT300/GT380 梱包無し	GT604800 潤滑油の ボトル
GT306G / GT380G	イギリス	TA012169 GB- プラグ、黒、 L=1.8 m	GT201	GT200880	GT300/GT380 梱包無し	GT604800 潤滑油の ボトル
GT306J / GT380J	日本、メキシコ 110-125V	TA012168 2極装置プラグ、 黒、 L=1.8 m	GT201	GT200880	GT300/GT380 梱包無し	GT604800 潤滑油の ボトル
GT306K / GT380K	米国	TA012168 2極装置プラグ、 黒、 L=1.8 m	GT201	GT200880	GT300/GT380 梱包無し	GT604800 潤滑油の ボトル

## 充電電池駆動ヘアカッター FAV5 CL/FORTIS

### 10. テクニカルデータ

#### 10.1 充電電池駆動ヘアカッター FAV5 CL/FORTIS (フォーティス)

装置のタイプ	GT300/GT380
ストローク数	2 300 1/min
充電電圧 / 出力電圧	最大 8,4 V
充電電流 / 出力電流	最大 1.2 A
重量 (カッターヘッドと充電電池を除く)	385 g
重量 (カッターヘッドと充電電池込み)	450 g
EN 60335-1、EN 60335-2-29	


#### 10.2 チャージャー

装置のタイプ	GT203
電源電圧領域 (消費電流)	100-240 V
周波数	50-60 Hz
充電電圧 / 出力電圧	最大 8,4 V
充電電流 / 出力電流	最大 1.2 A
重量	495 g
認証マーク	CE, UL

### 10.3 リチウムイオン充電電池

装置のタイプ	GT201
セルタイプ	リチウム
DC 電圧	7.4 V
容量	約 1.2 Ah
充電時間	50 分 ±5 分


### 10.4 準拠性宣言

	<p>弊社は本製品が下記の規格または規範規定書に準拠していることを単独で保証します。</p> <p>2004/108/EC EMC 指令： DIN EN 60335-1 DIN EN 60335-2-8</p> <p>世帯用途および類似の目的に使用する電気機器の安全性 ヘアカッター - 一般要件 - Aesculap Suhl GmbH (エースクラップ・ズール・ゲーエムペーハー)</p>
---	--

## 11. 廃棄処分

電動ツール、アクセサリおよび梱包は環境両立性のある再利用ルートに処分してください。

### 11.1 EU のみ該当

	<p>電動ツールは一般家庭ゴミと一緒に捨てないでください！</p> <p>電気電子機器に関する欧州指令 2012/19/EU およびその加盟国国内法に従い耐用に適さない電動ツールは分別収集し環境両立性のある再利用ルートに処分しなければなりません。</p>
---	---

## 11.2 リチウムイオン充電電池

充電電池を家庭ゴミ、火や水の中に投げ込まないでください。故障したまたは使用終了した充電電池は欧州指令 2006/66/EC に従い集取、再利用または環境に優しい方法で処分しなければなりません。

## 12. 2 年保証

お客様へ

本製品のお買い上げ心からお礼申し上げます。

弊社の名前である Aesculap（エスキュラップ）は数十年以来検査合格保証および最高品質のサービスで知られています。お客様に革新的で高性能な品をお届けするのは弊社の使命です。Aesculap は高品質機器を生産しており、お客様のために高級素材の使用ならびに入念な加工品質を確実にしています。弊社の製品の瑕疵については不正使用、正常な摩耗または、製品が不正に使用されたり不適なまたは完全には機能しない他の製品を用されたために発生した摩耗については製品保証を致しておりませんので、ご注意ください。

典型的に摩耗する部品およびこのため弊社が保証対象外としている部品は充電電池およびカッターヘッドです。価値または機能に影響しないかまたは大した影響を与えない瑕疵は例外とします。



保証の範囲で賠償責任を負う場合には、製品を修理または交換するかを弊社の裁量によって決めさせていただきます。

FAV5 CL/FORTIS 충전 면도기

일러두

- 1 면도 헤드 홀더
- 2 FAV5 CL/FORTIS 충전 면도기
- 3 배터리 잠금 해제
- 4 충전기
- 5 전원 공급 코드 (장치 플러그 포함)
- 6 충전 슬롯 (리튬 이온 배터리를)
- 7 충전 상태 표시등 (리튬 이온 배터리를)
- 8 리튬 이온 배터리
- 9 충전 상태 표시등 (FAV5 CL/FORTIS 충전 면도기용)
- 10 충전 슬롯 (FAV5 CL/FORTIS 충전 면도기용)
- 11 켜짐 / 꺼짐 스위치
- 12 면도 헤드

일러두기

	사용설명서의 내용을 준수하십시오.
	지침 2012/19/EC(WEEE)에 따른 전자 기기 인증 마크, 다음 장을 참조하십시오. 폐기

목차

- 1. 안전한 작동법 ..... 173
- 2. 장치 설명 ..... 173
- 2.1 제품 구성 ..... 173
- 2.2 작동에 필요한 구성요소 ..... 174
- 2.3 FAV5 CL/FORTIS 충전 면도기 사용 목적 ..... 174
- 2.4 충전기 GT203/ 리튬 이온 배터리 GT201 사용 목적 ..... 174
- 2.5 FAV5 CL/FORTIS 충전 면도기 작동 방식 ..... 174

- 2.6 충전기 GT203/ 리튬 이온 배터리 GT201 작동 방식 ..... 174
- 2.6.1 충전 원리 ..... 174
- 2.6.2 충전 시간 ..... 174
- 3. 준비와 설치 ..... 175
- 4. FAV5 CL/FORTIS 충전 면도기 및 충전기 GT203/ 리튬 이온 배터리 GT201 을 활용한 작업 ..... 175
- 4.1 준비 ..... 175
- 4.1.1 액세서리 연결 ..... 175
- 4.1.2 면도 헤드 장착 ..... 175
- 4.1.3 충전기 연결 / 리튬 이온 배터리 충전 ..... 176
- 4.2 FAV5 CL/FORTIS 충전 면도기 기능 점검 ..... 177
- 4.3 충전기 기능 점검 ..... 177
- 4.4 면도 헤드 조작 ..... 177
- 4.4.1 절삭면 당기기 ..... 177
- 4.4.2 면도 헤드 교체 ..... 178
- 4.4.3 면도 헤드에 윤활유 바르기 ..... 178
- 4.4.4 리튬 이온 배터리 교체 ..... 179
- 5. 준비 ..... 179
- 5.1 세척 / 소독 ..... 179
- 5.2 점검, 유지보수, 테스트 ..... 180
- 6. 정비 ..... 180
- 7. 고장 진단과 해결 ..... 181
- 7.1 FAV5 CL/FORTIS 충전 면도기 ..... 181
- 7.2 충전기 및 리튬 이온 배터리 ..... 182
- 8. 기술 서비스 ..... 183
- 9. 부속품 / 액세서리 ..... 183
- 10. 기술 지원 ..... 184
- 10.1 FAV5 CL/FORTIS 충전 면도기 ..... 184
- 10.2 충전기 ..... 184
- 10.3 리튬 이온 배터리 ..... 184
- 10.4 규정 준수 설명 ..... 184
- 11. 폐기 ..... 184
- 11.1 EU- 국가들에만 국한 ..... 184
- 11.2 리튬 이온 배터리 ..... 185
- 12. 보증기간 2년 ..... 185

## 1. 안전한 작동법



위험

**감전으로 인한 인명 피해 위험! 제품을 열지 마십시오 (배터리 교체하는 경우 제외). 접지선이 있는 전원 공급에만 제품을 연결합니다.**

- 제품을 사용하기 전에 정상적으로 작동하는 지 기능과 상태를 점검합니다.
- 충전기 및 리튬 이온 배터리를 실온에 보관하십시오.
- 충전기 및 리튬 이온 배터리를 건조하게 유지하십시오.
- 첫 사용 이전에 리튬 이온 배터리를 충전하십시오.
- "전자기 적합성 (EMC)" 에 관한 지침을 참고하십시오.
- 부적합한 셋업 또는 조작으로 인한 손상을 방지하고 품질 보증 및 손해 배상 권리를 잃지 않기 위해서는 다음을 준수하십시오.
  - 본 사용 설명서에 따라 제품을 사용하십시오.
  - 안전관련 정보 및 유지보수 지침을 준수하십시오.
  - 사용설명서에 기재되지 않은 부품들을 제조사의 동의 없이 사용하지 마십시오.
- 제품과 부속품은 필요한 교육, 지식 또는 경험을 갖춘 사람만이 작동 및 사용할 수 있습니다.
- 사용을 위한 사용 설명서는 접근할 수 있는 곳에 보관합니다.
- 적용되는 규격을 엄수합니다.
- 전기 설치 상태가 IEC 요건을 충족하는지 확인하십시오.
- 전선은 플러그를 잡고 빼야 하며, 절대 케이블을 잡고 빼면 안됩니다.

- 폭발 위험이 있는 환경에서 제품을 사용하지 마십시오.
- 손상되거나 결함이 있는 제품은 사용하지 마십시오. 손상된 제품은 즉시 별도로 분류하십시오.

### 알아두기

8 세 이상의 아이들 또는 신체적, 정신적 장애가 있는 이들이 해당 제품을 사용할 경우 사용자들은 보호자의 감시 하에 안전한 사용법을 충분히 숙지한 이후 제품을 사용하여 발생 가능한 위험을 방지해야 합니다.

- 아이들이 제품을 가지고 놀지 않도록 주의하십시오.
- 아이들이 보호자의 부재 하에 제품을 세척 또는 관리하지 않도록 주의하십시오.

## 2. 장치 설명

### 2.1 제품 구성

명칭	품목 번호 :
FAV5 CL/FORTIS 충전 면도기	GT300/ GT380
리튬 이온 배터리	GT201
충전기	GT203
전원 공급 코드 (장치 플러그 포함)	다음 장을 참조하십시오. 부속품 / 액세서리
사용 설명서	TA013440

### 알아두기

FAV5 CL/FORTIS 충전 면도기의 GT330 #10(USA+GB) 면도 헤드도 포함되어 있습니다. 사용 목적에 따라 다양한 면도 헤드를 사용할 수 있습니다!

## FAV5 CL/FORTIS 충전 면도기

### 2.2 작동에 필요한 구성요소

- FAV5 CL/FORTIS 충전 면도기
- 면도 헤드
- 충전기
- 전원 공급 코드 (장치 플러그 포함)
- 리튬 이온 배터리

### 2.3 FAV5 CL/FORTIS 충전 면도기 사용 목적

#### 알아두기

본 제품은 동물의 털을 자르는데 사용됩니다. FAV5 CL/FORTIS 충전 면도기는 작은 동물들의 털을 자르기 위해 사용됩니다. FAV5 CL/FORTIS 충전 면도기는 사용 목적에 따라 면도 헤드를 장착해 사용해야 합니다.

### 2.4 충전기 GT203/ 리튬 이온 배터리 GT201 사용 목적

충전기 GT203 은 FAV5 CL/FORTIS 충전 면도기 및 기기의 리튬 이온 배터리의 충전을 위해 사용됩니다. 두 가지를 충전할 수 있는 한 개의 충전 용기가 장착되어 있습니다.

### 2.5 FAV5 CL/FORTIS 충전 면도기 작동 방식

FAV5 CL/FORTIS 충전 면도기는 켜짐/꺼짐 스위치로 작동되며 스위치를 위로 밀었을 경우 켜지고 아래로 내렸을 경우 꺼집니다.

### 2.6 충전기 GT203/ 리튬 이온 배터리 GT201 작동 방식

충전기 GT203 은 100V ~ 240V 의 정격 전압 과 50Hz ~ 60Hz 의 상용 주파수를 유지해야 합니다.

충전기 GT203 의 정상적인 기능을 위해 케이블은 소켓에 연결해야 합니다.

GT203 은 두개 이상의 충전 용기를 제공합니다. 첫 번째 충전 슬롯은 FAV5 CL/FORTIS 충전 면도기용이며 두 번째는 리튬 이온 배터리용입니다.

충전 용기는 개별 충전기 표시등으로 구분됩니다.

리튬 이온 배터리를 충전기에 부착시키면 충전이 자동으로 시작됩니다.

충전 용기의 충전 시간은 충전 상태 및 리튬 이온 배터리의 용량에 따라 달라집니다.

#### 2.6.1 충전 원리

리튬 이온 배터리는 지속적인 전류자극으로 충전됩니다.

리튬 이온 배터리의 충전 상태는 충전 과정에서 통제됩니다. 충전 과정의 통제를 통해 배터리가 100% 충전 상태일 경우 충전이 중단됩니다.

배터리 온도 및 충전 시간 또한 통제됩니다.

충전기는 배터리 상태를 두 개의 충전 상황 표시를 통해 나타냅니다.

LED 표시:

- 녹색 = 충전 완료
- 붉은색 = 배터리 부족

#### 2.6.2 충전 시간

최대 충전 시간을 넘어설 경우 충전이 중단됩니다.

충전 시간은 약 50 분에 달합니다.



### 3. 준비와 설치

다음 규정을 지키지 않을 시, Aesculap 은 그 어떤 책임도 지지 않습니다.

- ▶ 제품 설치와 사용 시 엄수 :
  - 국가 설치 규정과 회사 규정
  - 방화, 방폭에 대한 국가 규정.
  - 본 사용설명서는 IEC/VDC 규정을 따릅니다.



위험

**화재 및 폭발 위험 ! 폭발 위험이 있는 환경에서 제품을 사용하지 마십시오.**



주의

부적절한 배치를 통한 제품 및 기능 손상! 직사광선 또는 습기가 있는 지역에 제품을 두지 마십시오. 제품의 통풍구를 차단시키지 마십시오. 100V ~ 240V 의 정격 전압과 50Hz ~ 60 Hz 의 상용 주파수를 유지하십시오. 제품의 전력공급을 담당하는 전기 케이블의 전원 소켓에 접근할 수 있어야 합니다.

### 4. FAV5 CL/FORTIS 충전 면도기 및 충전기 GT203/리튬 이온 배터리 GT201 을 활용한 작업

#### 4.1 준비

##### 4.1.1 액세서리 연결

사용 설명서에 언급되지 않은 액세서리 조합은 지정된 용도에 맞게 명시적으로 규정된 경우에만 사용할 수 있습니다. 성능 특징과 안전 요구 사항이 부정적인 영향을 미쳐서는 안 됩니다.

##### 4.1.2 면도 헤드 장착



경고

날카로운 초소형 칼날로 인한 위험 !FAV5 CL/FORTIS 충전 면도기의 면도 헤드를 조심히 다루십시오.

알아두기

FAV5 CL/FORTIS 충전 면도기의 GT330 #10(USA+GB) 면도 헤드가 포함되어 있습니다. 사용 목적에 따라 다양한 면도 헤드를 사용할 수 있습니다!



그림 1

FAV5 CL/FORTIS 충전 면도기

- ▶ 힌지 날이 닫힌 경우 경우 : 힌지날 13 을 스크류 드라이버로 여십시오 . 다음 참조 그림 1.

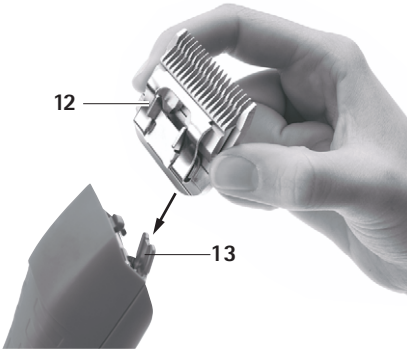


그림 2

- ▶ 펼쳐진 힌지 날 13 에 면도 헤드 12 를 깨끗이 닦아 . 다음 참조 그림 2.
- ▶ 켜짐 / 꺼짐 스위치 11 을 누릅니다 .
- ▶ 면도 헤드 12 를 가볍게 FAV5 CL/FORTIS 면도기 방향으로 누릅니다 . 다음 참조 그림 2. 면도 헤드 12 에서 딸각 소리가 납니다 .
- ▶ 면도 헤드 12 가 올바르게 FAV5 CL/FORTIS 면도기에 장착되었는지 확인하십시오 .

4.1.3 충전기 연결 / 리튬 이온 배터리 충전



경고

액체 또는 금속 부품의 양극 누전으로 인한 화재 위험! 리튬 이온 배터리가 누전되지 않도록 하십시오 .



경고

손상된 리튬 이온 배터리로 인한 부상 및 손실 위험! 리튬 이온 배터리 장착 이전에 손상 여부를 점검하십시오 . 손상된 리튬 이온 배터리를 사용하거나 충전하지 마십시오 .



주의

완전히 충전된 리튬 이온 배터리의 장기 보관을 통한 기능 / 성능 손실! 리튬 이온 배터리는 완전하게 충전된 상태에서 보관되어야 하며 월 1 회 충전되어야 합니다 .



주의

잘못된 배터리를 장착할 경우 제품, 충전 용기 또는 리튬 이온 배터리 손상! 적합한 충전 용기에만 리튬 이온 배터리를 장착하십시오 . 적합한 방식으로 리튬 이온 배터리를 장착하십시오 .

알아두기

FAV5 CL/FORTIS 충전 면도기를 충전하기 전 끄십시오 .

알아두기

충전 과정에서 리튬 이온 배터리의 온도가 약간 상승할 수 있습니다 .

알아두기

충전기가 사용되지 않을 경우 전원 공급 코드를 소켓으로부터 분리하십시오 !

- 충전기 4 연결 : 전원 공급 코드 5의 장치 연결 소켓을 충전기 4에 연결하십시오.
- 전원 공급 코드 5의 연결선을 소켓에 연결하십시오.
- 리튬 이온 배터리 8를 충전기 4의 충전 슬롯 6에 장착시켜 충전하십시오.  
또는
- FAV5 CL/FORTIS 충전 먼도기 2를 충전기 4의 충전 용기 10에 장착시켜 충전하십시오.  
충전 상태 표시등 7 또는 9에 빨간불이 들어옵니다.  
충전 과정 이후 충전 상태 표시등 7/9에는 녹색불이 들어오며 FAV5 CL/FORTIS 충전 먼도기 2/ 리튬 이온 배터리 8는 작동 준비되었습니다.

## 4.2 FAV5 CL/FORTIS 충전 먼도기 기능 점검

- 외관 시험을 수행하십시오.
- 스위치 위치를 확인하십시오.
- 배터리를 장착하십시오. 다음 장을 참조하십시오. 리튬 이온 배터리 교체.
- 먼도 헤드를 정확한 위치에 장착시킨 후 필요 시 윤활유를 바르십시오. 다음 장을 참조하십시오. 먼도 헤드 조작.
- 예비 리튬 이온 배터리를 준비하십시오.
- FAV5 CL/FORTIS 충전 먼도기를 사용 전에 세척하십시오. 다음 장을 참조하십시오. 세척 / 소독.

## 4.3 충전기 기능 점검

- 외관 시험을 수행하십시오.
- 제품을 전원 케이블에 연결하기 전 :
  - 전원 공급 코드 5에서 발생 가능한 손상 여부를 점검하십시오.
  - 제품에서 발생 가능한 손상 여부를 점검하십시오 (예 : 충전 용기가 왜곡된 형태의 부품과 접촉된 경우).
- 전원 공급 코드 5을 충전기의 플러그에 연결하십시오.
- 장치 플러그를 전기 소켓에 연결하십시오.
- 리튬 이온 배터리 8를 충전기 4의 충전 슬롯 6에 장착시켜 충전하십시오.  
또는
- FAV5 CL/FORTIS 충전 먼도기 2를 충전기 4의 충전 용기 10에 장착시켜 충전하십시오.  
충전 상태 표시등 7 또는 9에 빨간불이 들어옵니다.  
충전 과정 이후 충전 상태 표시등 7/9에는 녹색불이 들어오며 FAV5 CL/FORTIS 충전 먼도기 2/ 리튬 이온 배터리 8는 작동 준비되었습니다.  
제품이 작동 준비되었습니다.

## 4.4 먼도 헤드 조작

### 4.4.1 절삭면 당기기

#### 알아두기

절삭면을 당기는 과정은 기술 서비스 센터에 문의하십시오. 다음 장을 참조하십시오. 기술 서비스.

FAV5 CL/FORTIS 충전 면도기

4.4.2 면도 헤드 교체



경고

날카로운 초소형 칼날로 인한 위험!  
FAV5 CL/FORTIS 충전 면도기의 면도 헤드를 조심히 다루십시오.

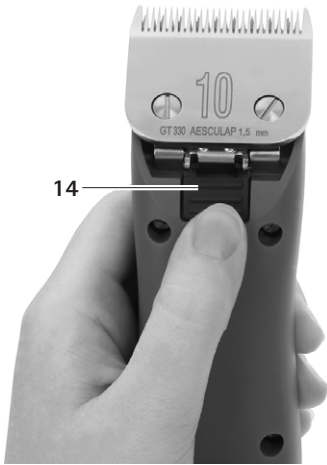


그림 3

- 켜짐 / 꺼짐 버튼 11 을 눌러 FAV5 CL/FORTIS 충전 면도기를 끕니다.
- 면도 헤드 잠금 장치 14 를 누릅니다. 다음 참조 그림 3.

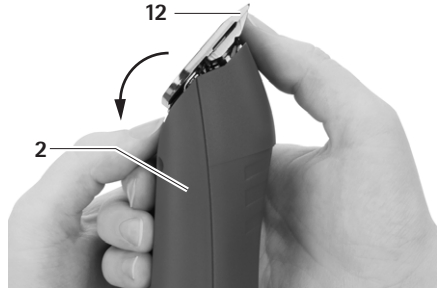


그림 4

- 면도 헤드 12 를 앞으로 엽니다. 다음 참조 그림 4.
- 면도 헤드 12 를 분리합니다.
- 브러시를 사용해 펼쳐진 힌지 날을 닦습니다.
- 힌지 날에 면도 헤드 12 를 끼웁니다.
- FAV5 CL/FORTIS 충전 면도기의 전원 공급 코드를 연결합니다.
- 켜짐 / 꺼짐 스위치 11 을 누릅니다.
- 면도 헤드 12 를 가볍게 FAV5 CL/FORTIS 충전 면도기 방향으로 누릅니다. 면도 헤드 12 에서 딸깍 소리가 납니다.
- 면도 헤드 12 가 올바르게 FAV5 CL/FORTIS 충전 면도기에 장착되었는지 확인하십시오.

4.4.3 면도 헤드에 윤활유 바르기

- 부드러운 천 또는 부러시를 사용하여 상부 및 하부 절삭면을 닦으십시오. 이 과정에서 틈 사이가 깨끗한지 확인하십시오.
- 상부 및 하부 절삭면에 면도 헤드용 특수오일 GT604 를 가볍게 문지르십시오.

#### 4.4.4 리튬 이온 배터리 교체

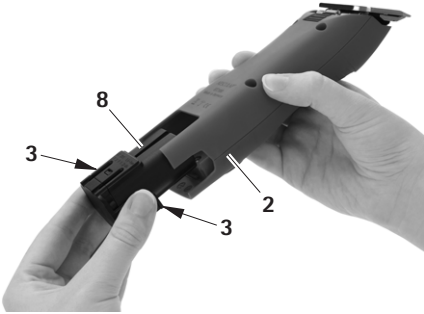


그림 5

- FAV5 CL/FORTIS 충전 면도기 2 를 정지시킨 후 배터리 잠금 해제 3 를 누르십시오 .
- 리튬 이온 배터리 8 를 FAV5 CL/FORTIS 충전 면도기 2 에서 빼내십시오 .
- 충전이 완료된 리튬 이온 배터리 8 을 FAV5 CL/FORTIS 충전 면도기 2 에 딸각 소리가 날 때까지 밀어넣으십시오 .  
FAV5 CL/FORTIS 충전 면도기 2 가 작동 준비되었습니다 .

## 5. 준비



주의

기계식 세척 / 소독 또는 멸균으로 인한 제품의 손상이나 파손! 제품을 수동으로만 세척 / 소독하십시오 . 제품을 절대 멸균하지 마십시오 .

## 5.1 세척 / 소독

알아두기

관리 및 위생지침을 준수하십시오 !

수동 세척 / 소독



위험

감염과 화재 위험! 세척 전에 플러그를 뽑으십시오 . 액체가 제품에 스며들어가지 않도록 하십시오 . 세척 / 소독 이후 최소 1분 이상 공기가 통할 수 있게 해주십시오 .



주의

부적합한 세척제 또는 잘못된 세척제 / 소독제 사용으로 인한 제품 손상! 외관 세척에는 시판되고 있는 세척제를 사용하십시오 . 제품을 절대 물 또는 세척제에 담그지 마십시오 . 충전 용기에 물이 들어가지 않도록 하십시오 . 충전 용기와 접촉되는 부분을 조심스럽게 세척하십시오 .

- 제품 외관은 보풀이 없는 천에 시판되고 있는 세척제를 적서 닦으십시오 .
- 필요 시 제품에 사용된 소독제 및 세척제 잔여물을 일정 시간 동안 노출시킨 뒤 보풀 없는 천에 물을 묻혀 닦아내십시오 .
- 건조 과정에는 깨끗하고 보풀이 없는 천을 사용하십시오 .
- 충전 용기와 접촉되는 부분은 면봉에 이소프로판올 또는 에탄올을 묻혀 세척하십시오 . 부식 유발성 화학물질을 사용하지 마십시오 .
- 필요 시 세척 / 소독을 반복하십시오 .

## FAV5 CL/FORTIS 충전 면도기

## 5.2 점검, 유지보수, 테스트

- 제품을 실온으로 냉각하십시오.
- 세척과 소독이 끝나면 제품의 청결, 성능, 손상 여부를 검사합니다.
- 필요 시 면도 헤드에 윤활유를 바르십시오. 다음 장을 참조하십시오. 면도 헤드에 윤활유 바르기.
- 손상이나 이상한 소음, 과열 또는 심한 진동이 없는지 제품을 검사합니다.
- 파손, 손상된 절단이나 몽툰한 절단이 없는지 면도 헤드를 점검합니다.
- 손상된 제품은 즉시 별도로 분류하십시오.

## 6. 정비

신뢰할 만한 작동을 보장하기 위해 Aesculap은 최소 1년에 1회 정비를 권장합니다.

## 서비스 센터 주소

Albert Kerbl GmbH

Felizenzell 9

84428 Buchbach / Germany

Phone: +49 (0) 8086 933-100

Fax: +49 (0) 8086 933-500

E-Mail: info@kerbl.com

www.kerbl.com

위에 언급된 주소를 통해 또다른 서비스 센터 주소를 알 수 있습니다.

## 7. 고장 진단과 해결

### 7.1 FAV5 CL/FORTIS 충전 면도기

고장	증세	원인	해결
FAV5 CL/FORTIS 충전 면도기가 작동하지 않습니다.	스위치 위치를 확인하십시오.	리튬 이온 배터리가 충전되지 않았습니다.	리튬 이온 배터리를 충전하십시오.
	-	리튬 이온 배터리 결함	새 리튬 이온 배터리를 장착하십시오.
	-	리튬 이온 배터리가 장착되지 않았습니다.	새 리튬 이온 배터리를 장착하십시오.
FAV5 CL/FORTIS 충전 면도기가 작동을 멈췄습니다.	-	보호 기능으로 인해 리튬 이온 배터리가 꺼졌습니다.	스위치를 끈 후 다시 켜십시오.
	-	리튬 이온 배터리가 비었습니다.	새 리튬 이온 배터리를 장착하십시오.
FAV5 CL/FORTIS 충전 면도기가 충전되고 있지 않습니다.	LED 표시가 나타나지 않습니다.	-	다음 장을 참조하십시오. 충전기 및 리튬 이온 배터리

FAV5 CL/FORTIS 충전 면도기

7.2 충전기 및 리튬 이온 배터리

고장	증세	원인	해결
작동되지 않는 충전기	LED 표시가 나타나지 않습니다.	전원 공급 코드가 연결되지 않았습니다.	전원 공급 코드를 충전기 기기 플러그에 연결시킨 후 전기 소켓에 연결하십시오.
	리튬 이온 배터리가 충전되지 않았습니다.	전원 공급 코드 결함 충전기 결함	전원 공급 코드를 교체하십시오. 제조사에서 수리하십시오.
리튬 이온 배터리가 충전되지 않았습니다.	리튬 이온 배터리가 장착되었으나 충전 표시등에 불이 들어오지 않습니다.	충전기 접촉부가 오염되거나 손상되었습니다.	충전 슬롯 접촉부를 닦거나, 다음 장을 참조하십시오. 세척 / 소독 제조사에서 수리하십시오.
		리튬 이온 배터리 결함	리튬 이온 배터리를 제조사에서 수리하십시오.
		충전기 결함	충전기를 제조사에서 수리하십시오.
		충전 과정에서 리튬 이온 배터리의 고온 현상이 감지되었습니다.	충전 슬롯에서 리튬 이온 배터리를 분리하여 열을 내린 후 다시 충전을 시작하십시오. 배터리에 다시 이상이 발생할 경우 제조사에서 수리하십시오.
		충전 장애 또는 리튬 이온 배터리 결함	충전 슬롯에서 리튬 이온 배터리를 분리하여 다시 충전을 시작하거나 다른 충전 용기를 사용하십시오. 리튬 이온 배터리에 다시 이상이 발생할 경우 제조사에서 수리하십시오.



## 8. 기술 서비스

의료 기술 장비를 변경하는 경우 서비스 / 품질 보증 청구권이 소멸될 수 있습니다.

### 서비스 센터 주소

Albert Kerbl GmbH  
 Felizenzell 9  
 84428 Buchbach / Germany  
 Phone: +49 (0) 8086 933-100  
 Fax: +49 (0) 8086 933-500  
 E-Mail: info@kerbl.com  
 www.kerbl.com  
 위에 언급된 주소를 통해 또다른 서비스 센터 주소를 알 수 있습니다.

## 9. 부속품 / 액세서리

품목 번호 :	버전	전원 케이블	리튬 이온 배터리	충전기	충전 면도기	부속품
GT306/ GT380	유럽 영국 제외	TA012170 유럽 플랫폼 소켓, 검정, L=1.8m	GT201	GT200880	GT300/ GT380 비포장	GT604800 오일병
GT306G/ GT380G	영국	TA012169 영국 - 소켓, 검정, L=1.8m	GT201	GT200880	GT300/ GT380 비포장	GT604800 오일병
GT306J/ GT380J	일본, 멕시코 110-125 V	TA012168 2 핀 기기소켓, 검정, L=1.8 m	GT201	GT200880	GT300/ GT380 비포장	GT604800 오일병
GT306K/ GT380K	USA	TA012168 2 핀 기기소켓, 검정, L=1.8 m	GT201	GT200880	GT300/ GT380 비포장	GT604800 오일병

## FAV5 CL/FORTIS 충전 면도기

### 10. 기술 제원

#### 10.1 FAV5 CL/FORTIS 충전 면도기

장치 유형	GT300/GT380
스트로크 수	2300 1/min
충전 / 출력 전압	최대 8.4V
충전 / 출력 전류	최대 1.2 A
무게 (면도 헤드 및 배터리가 없을 시)	385 g
무게 (면도 헤드 및 배터리 포함)	450 g
EN 60335-1, EN 60335-2-29	

#### 10.2 충전기

장치 유형	GT203
공급 전압 범위 (전력 소비)	100-240 V
주파수	50-60 Hz
충전 / 출력 전압	최대 8.4V
충전 / 출력 전류	최대 1.2 A
무게	495 g
점검 시간	CE, UL

#### 10.3 리튬 이온 배터리

장치 유형	GT201
셀형	Li
직류 전압	7.4 V
용량	약 1.2 Ah
충전 시간	50 min ± 5 min

### 10.4 규정 준수 설명

	<p>당사는 본 제품이 다음의 표준 문서를 준수해야 할 책임이 있음을 선언합니다.</p> <p>2004/108/EG EMV- 지침 : DIN EN 60335-1 DIN EN 60335-2-8 가정용 전자기기 및 유사 목적에 대한 안전 지침</p> <ul style="list-style-type: none"> <li>- 일반 조건</li> <li>- 모발 면도기용</li> </ul> <p>Aesculap Suhl GmbH</p>
--	--

### 11. 폐기

전자기기, 부품 및 포장용기는 친환경 재활용 방식에 따라 처리되어야 합니다.

#### 11.1 EU- 국가들에만 국한

	<p>전자 부품들을 일반쓰레기로 처리하지 마십시오!</p> <p>노후한 전기 및 전자기기와 기기 전위에 대한 유럽 지침 2012/19/EU에 따라 사용되지 않은 전자기기들은 분리 수집된 후 친환경 재활용 방식으로 처리되어야 합니다.</p>
--	---

## 11.2 리튬 이온 배터리

배터리를 일반쓰레기로 처리하거나 불 또는 물에 던지지 마십시오. 고장나거나 다 쓴 배터리는 2006/66/EG 규정에 따라 수집되어 친환경 방식으로 재활용되어야 합니다.

## 12. 보증기간 2년

친애하는 고객 여러분,  
당사의 제품을 선택해주셔서 감사합니다.

Aesculap의 제품들은 수십년 동안 보증된 품질과 최고의 서비스를 자랑하고 있습니다. 당사는 고객님들에게 혁신적이고 고성능의 제품들을 제공하고 있습니다. Aesculap는 고성능의 제품들을 생산하며 고객님들이 최고의 제품을 사용할 수 있도록 부품 제작 과정에 최선을 다하고 있습니다. 아울러, 저희는 당사 제품이 부적합한 방식으로 사용되거나 규정된 부품 또는 타사의 제품을 결합하여 사용하는 등 표준 방식을 준수하지 않아 발생하는 제품 결함에 대한 책임을 지지 않음을 알려드립니다.

당사가 인정하고 있는 외부 부품 및 타사 제품은 배터리 및 면도 헤드입니다. 제품의 가치 또는 기능에 미미한 결함 또는 영향을 아예 미치지 않은 경우 또한 제외됩니다.

만약 당사의 보증 범주 내에서 결함이 발생할 경우 제품은 수리 또는 교환될 수 있습니다.

## FAV5 CL/FORTIS 蓄電池剪毛機

### 图例

- 1 切割頭柄
- 2 FAV5 CL/FORTIS 蓄電池剪毛機
- 3 蓄電池開鎖器
- 4 充電器
- 5 電源線（帶裝置插頭）
- 6 充電槽（適用於鋰離子蓄電池）
- 7 充電狀態螢幕（適用於鋰離子蓄電池）
- 8 鋰離子蓄電池
- 9 充電狀態螢幕（適用於 FAV5 CL/FORTIS 蓄電池剪毛機）
- 10 充電槽（適用於 FAV5 CL/FORTIS 蓄電池剪毛機）
- 11 開啓 / 關閉開關
- 12 切割頭

### 产品上的符号

	遵守作業說明書
	符合 2012/19/EU (WEEE) 指令之電子和電氣裝置標識，參見章節 報廢處理

### 内容表

1.	安全作業 .....	187
2.	裝置說明 .....	187
2.1	供貨範圍 .....	187
2.2	執行所需之組件 .....	187
2.3	FAV5 CL/FORTIS 蓄電池剪毛機用途 .....	187
2.4	GT203 充電器 /GT201 鋰離子蓄電池之用途 .....	188
2.5	FAV5 CL/FORTIS 蓄電池剪毛機之工作方式 .....	188

2.6	GT203 充電器 /GT201 鋰離子蓄電池工作方式 .....	188
2.6.1	充電原則 .....	188
2.6.2	充電時間 .....	188
3.	準備和安放 .....	188
4.	使用 FAV5 CL/FORTIS 蓄電池剪毛機，GT203 充電器 /GT201 鋰離子蓄電池工作 .....	189
4.1	系統設定 .....	189
4.1.1	聯結配件 .....	189
4.1.2	插入切割頭 .....	189
4.1.3	聯結充電器 / 鋰離子蓄電池充電 .....	189
4.2	FAV5 CL/FORTIS 蓄電池剪毛機功能檢測 .....	190
4.3	充電器功能檢測 .....	190
4.4	手動作業切割頭 .....	190
4.4.1	磨光刀片 .....	190
4.4.2	更換切割頭 .....	191
4.4.3	給切割頭潤滑 .....	191
4.4.4	更換鋰離子蓄電池 .....	192
5.	製備 .....	192
5.1	清洗 / 消毒 .....	192
5.2	監督，維護和檢查 .....	192
6.	維護 .....	193
7.	識別和排除故障 .....	193
7.1	FAV5 CL/FORTIS 蓄電池剪毛機 .....	193
7.2	充電器和鋰離子蓄電池 .....	193
8.	售後技術服務 .....	195
9.	配件 / 備件 .....	195
10.	技術參數 .....	196
10.1	FAV5 CL/FORTIS 蓄電池剪毛機 .....	196
10.2	充電器 .....	196
10.3	鋰離子蓄電池 .....	196
10.4	合格聲明 .....	196
11.	報廢處理 .....	196
11.1	只針對歐盟國家 .....	196
11.2	鋰離子蓄電池 .....	196
12.	2 年保固期 .....	197

## 1. 安全作業



危險

### 電擊導致生命危險！

- 切勿開啓產品（除了在更換蓄電池時）。
- 本品只允許聯結至配有接地安全引線之供電網。

- 在使用本品之前，檢查其功能和狀態是否正常。
- 充電器和鋰離子蓄電池在室溫中儲存。
- 充電器和鋰離子蓄電池要保持乾燥。
- 第一次使用前，須給蓄電池充電。
- 注意「電磁相容性 (EMV)」提示。
- 爲了避免安裝或者執行不當導致損壞，以及不影響保固和生產廠商責任：
  - 本產品之使用必須遵照使用說明書。
  - 遵照安全訊息和維護說明。
  - 只有在生產廠商同意之情形下才能使用作業說明書中未提及之配件。
- 僅允許接受過必要之訓練，具備相關知識和經驗之人員作業和使用本品及其配件。
- 將本作業說明書存放在用戶可以觸及之處。
- 遵守現行之標準。
- 確保該房間之電氣安裝符合 IEC 之要求。
- 透過拉拔裝置插頭，鬆開電源聯結，絕對不要拉拔電纜。
- 不要將產品安裝在存在爆炸危險之區域。
- 不可使用已損壞或有缺陷之產品。即刻挑剔出不能用之產品。

### 提示

該裝置允許 8 歲以上之兒童和身體、感官或精神方面能力不足及缺少經驗和知識之人群使用，當他們被看管或已得到相關安全使用裝置之指導並明白可能產生之危險。

- 不允許兒童用裝置玩耍。
- 無看管之情形下，不得由兒童對裝置進行清洗和維護。

## 2. 裝置說明

### 2.1 供貨範圍

說明	產品編號
FAV5 CL/FORTIS 蓄電池剪毛機	GT300/GT380
鋰離子蓄電池	GT201
充電器	GT203
電源線（帶裝置插頭）	參見章節 配件 / 備件
作業說明書	TA013440

### 說明

GT330 #10 (USA+GB) 切割頭 FAV5 CL/FORTIS 蓄電池剪毛機包含在供貨範圍內。依照具體使用情形，需採用不同之切割頭！

### 2.2 執行所需之組件

- FAV5 CL/FORTIS 蓄電池剪毛機
- 切割頭
- 充電器
- 電源線（帶裝置插頭）
- 鋰離子蓄電池

### 2.3 FAV5 CL/FORTIS 蓄電池剪毛機用途

### 說明

裝置僅爲剪切動物毛髮而設計。

FAV5 CL/FORTIS 蓄電池剪毛機用於剪切小動物。蓄電池剪毛機 FAV5 CL/FORTIS 需依照具體使用情形，插入切割頭。

## FAV5 CL/FORTIS 蓄電池剪毛機

### 2.4 GT203 充電器 /GT201 鋰離子蓄電池之用途

GT203 充電器用於 FAV5 CL/FORTIS 蓄電池剪毛機和鋰離子蓄電池。有相應之充電槽適用於這兩個組件。

### 2.5 FAV5 CL/FORTIS 蓄電池剪毛機之工作方式

用開啓 / 關閉開關向上開啓和向下關閉 FAV5 CL/FORTIS 蓄電池剪毛機。

### 2.6 GT203 充電器 /GT201 鋰離子蓄電池工作方式

GT203 充電器設計用於電源電壓範圍在 100 V 至 240 V，頻率在 50 Hz 至 60 Hz 之情形。

為了使執行準備就緒，用電源插座將 GT203 充電器聯結在供電網上。

GT203 充電器有兩個充電槽。第一個充電槽為 FAV5 CL/FORTIS 蓄電池剪切機充電，第二個為鋰離子蓄電池充電。

每個充電槽與充電器前視窗上之各個指示區域分別對應。

將鋰離子蓄電池插入充電站後，充電過程自行啓動。

充電槽之充電時間取決於充電狀態以及鋰離子蓄電池之容量。

#### 2.6.1 充電原則

用恒流脈衝對鋰離子蓄電池充電。

充電過程中監測鋰離子蓄電池之充電狀態。透過監測充電曲線，確保 100 % 之充電，無超載。

此外，還要監測蓄電池溫度和充電時間。

充電器藉由兩個充電狀態螢幕監測蓄電池狀態。

LED 指示燈：

- 綠色 = 蓄電池充滿
- 紅色 = 蓄電池空的

#### 2.6.2 充電時間

在達到最大充電時間後，充電過程終止。

充電時間約為 50 分鐘。

## 3. 準備和安放

若不遵守下列規定，對此 Aesculap 不承擔任何責任。

- 在安裝和執行該產品時遵守：
  - 關於安裝和執行之國家規定，
  - 關於防火和防爆之國家規定。
  - 符合 IEC/VDE 規定之使用說明。



危險

**火災和爆炸危險！**

- 不要將產品安裝在存在爆炸危險之區域。



注意

**安裝不當會影響功能或損壞產品！**

- 不得將產品置於陽光直射或潮濕之環境內。
- 不得覆蓋產品之通風口。
- 額定電壓在 100V 至 240 V 和電源頻率範圍在 50 Hz 至 60Hz 之間聯結。
- 確保供電網上供該產品電源使用之電源插座可方便插拔。

## 4. 使用 FAV5 CL/FORTIS 蓄電池剪毛機，GT203 充電器 / GT201 鋰離子蓄電池工作

## 4.1 系統設定

### 4.1.1 聯結配件

只有規定用途明確需要時，才允許使用在作業說明書中沒有提及之配件組合。不得對性能特徵和安全要求造成負面影響。

### 4.1.2 插入切割頭



**鋒利之刀片具有造成傷害之危險！**

- 小心作業 FAV5 CL/FORTIS 剪毛機之切割頭。

#### 說明

GT330 #10 (USA+GB) 切割頭 FAV5 CL/FORTIS 蓄電池剪毛機包含在供貨範圍內。依照具體使用情形，需採用不同之切割頭！



图 1

- 量測鉸鏈閉合時：量測鉸鏈 13 用螺絲刀開啓，參見 图 1。

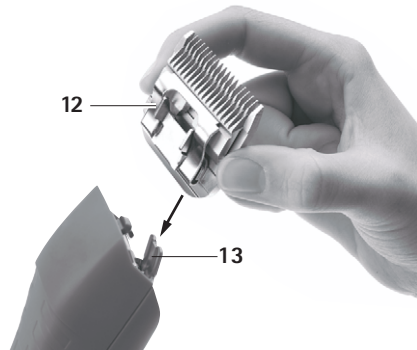


图 2

- 切割頭 12 插在開啓之量測鉸鏈 13 上，參見 图 2。
- 按下開啓 / 閉合開關 11。
- 切割頭 12 輕輕朝 FAV5 CL/FORTIS 剪毛機方向按壓，參見 图 2。
- 聽到切割頭 12 齒合。
- 確保切割頭 12 正確位於 FAV5 CL/FORTIS 剪毛機上。

### 4.1.3 聯結充電器 / 鋰離子蓄電池充電



**接觸液體或金屬物件會導致電極短路，存在火災危險！**

- 鋰離子蓄電池不得短路。



**受損之鋰離子蓄電池會造成人員傷害或財產損失！**

- 在充電前檢查鋰離子蓄電池是否損壞。
- 不得使用損壞之鋰離子蓄電池或對其進行充電。

## FAV5 CL/FORTIS 蓄電池剪毛機



注意

儲存時間過長會造成已放電之鋰離子蓄電池容量 / 性能喪失！

- 鋰離子蓄電池僅在充滿電後才能長期儲存並每月重新充電一次。



注意

在充電槽內插入錯誤之蓄電池類別會造成產品，充電槽或鋰離子蓄電池之損壞！

- 鋰離子蓄電池僅插入為其提供之充電槽內。
- 以正確之位置插入鋰離子蓄電池。

## 說明

在充電前，關閉 FAV5 CL/FORTIS 蓄電池剪毛機！

## 提示

鋰離子蓄電池在充電過程中易於加熱。

## 說明

若不使用充電器，需將電源線從插座上拔下！

- 聯結充電器 4：將電源線之裝置插頭 5 插入充電器 4。
- 將電源線之裝置插頭 5 插入插座。
- 將鋰離子蓄電池 8 放入 6 充電器之充電槽 4 並充電。  
- 或 -
- 將蓄電池剪毛機 FAV5 CL/FORTIS 2 放入 10 充電器之充電槽 4 並充電。  
充電狀態指示燈 7 或 9 亮起紅色。  
充電過程結束後，充電狀態指示燈 7/9 亮起綠色，FAV5 CL/FORTIS 蓄電池剪毛機 2/ 鋰離子蓄電池 8 準備就緒。

## 4.2 FAV5 CL/FORTIS 蓄電池剪毛機功能檢測

- 執行目檢。
- 檢查開關位置。

- 插入蓄電池，參見章節 更換鋰離子蓄電池。
- 正確插入切割頭，若有必要上潤滑油，參見章節 手動作業切割頭。
- 準備好已充電之備用鋰離子蓄電池。
- 使用前清洗蓄電池剪毛機 FAV5 CL/FORTIS，參見章節 清洗 / 消毒。

## 4.3 充電器功能檢測

- 執行目檢。
- 在將本品聯結至供電網上之前：
  - 檢查電源線 5 可能出現之損壞。
  - 檢查產品可能出現之損壞（例如：檢查彎曲觸點處充電槽之觸點）。
- 將電源線 5 插入充電站之裝置插頭中。
- 將電源插頭插入供電網之插座內。
- 將鋰離子蓄電池 8 放入 6 充電器之充電槽 4 並充電。  
- 或 -
- 將蓄電池剪毛機 FAV5 CL/FORTIS 2 放入 10 充電器之充電槽 4 並充電。  
充電狀態指示燈 7 或 9 亮起紅色。  
充電過程結束後，充電狀態指示燈 7/9 亮起綠色，FAV5 CL/FORTIS 蓄電池剪毛機 2/ 鋰離子蓄電池 8 準備就緒。  
產品執行準備就緒。

## 4.4 手動作業切割頭

## 4.4.1 磨光刀片

## 說明

磨光刀片需向售後服務技術部求助，參見章節 售後技術服務。



#### 4.4.2 更換切割頭



鋒利之刀片具有造成傷害之危險！

➤ 小心作業 FAV5 CL/FORTIS 剪毛機之切割頭。

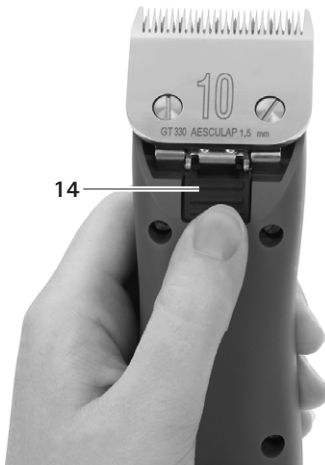


图 3

- 按下開啓 / 關閉開關 11，以切斷 FAV5 CL/FORTIS 蓄電池剪毛機。
- 按下切割頭閉鎖裝置 14，參見 图 3。



图 4

- 切割頭 12 向前開啓，參見 图 4。
- 取下切割頭 12。
- 用刷子清洗開啓之量測鉸鏈。
- 將切割頭 12 插在量測鉸鏈上。
- 插入 FAV5 CL/FORTIS 蓄電池剪毛機之電源線。
- 按下開啓 / 閉合開關 11。
- 將切割頭 12 輕輕朝 FAV5 CL/FORTIS 蓄電池剪毛機方向按壓。
- 聽到切割頭 12 齒合。
- 確保切割頭 12 正確位於 FAV5 CL/FORTIS 蓄電池剪毛機上。

#### 4.4.3 給切割頭潤滑

- 用軟抹布或刷子清洗上方和下方刀片。同時確保，鋸齒間之空隙整潔。
- 上方和下方刀片輕輕用專門用於 GT604 刀頭之油潤滑。

## FAV5 CL/FORTIS 蓄電池剪毛機

## 4.4.4 更換鋰離子蓄電池

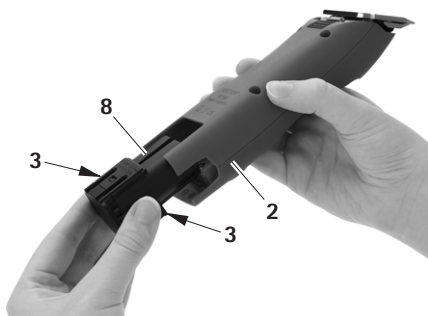


图 5

- 握著 FAV5 CL/FORTIS 蓄電池剪毛機 2 並按下蓄電池開鎖裝置 3。
- 將鋰離子蓄電池 8 自 FAV5 CL/FORTIS 蓄電池剪毛機 2 中取出。
- 將充過電之鋰離子蓄電池 8 推入 FAV5 CL/FORTIS 蓄電池剪毛機 2 直至止檔位置。FAV5 CL/FORTIS 蓄電池剪毛機 2 已準備就緒。

## 5. 製備



注意

用機器清洗 / 消毒或滅菌會損壞或者破壞本品！

- 只能手動清洗 / 消毒本品。
- 本品絕不能作滅菌處理。

## 5.1 清洗 / 消毒

說明

遵守報廢處理和衛生規定！

## 手工清洗 / 消毒



危險

電擊和火災危險！

- 在清洗前拔下電源插頭。
- 確保液體不會流入本品內部。
- 清洗 / 消毒後至少通風 1 分鐘。



注意

不當清洗或使用不當清洗劑 / 消毒劑會造成產品損壞！

- 使用通常處理方法清洗表面。
- 不得將產品置於水中或清洗劑中。
- 不得將液體帶入充電槽內。
- 要非常小心地情形充電槽內之觸點。

- 用不起毛的，且用通常處理方法擦拭消毒之抹布擦拭產品外殼。
- 若有需要，將過期之清洗劑和消毒劑殘留物用一塊在乾淨水中浸濕的不起毛抹布擦拭。
- 用乾淨，不起毛之抹布擦乾。
- 使用棉簽和異丙醇或酒精情形充電槽內之觸點。不要使用任何腐蝕性化學藥品。
- 若需要，重複清洗 / 消毒。

## 5.2 監督，維護和檢查

- 將產品冷卻至室溫。
- 每次清洗和消毒後檢查產品是否有：潔淨度，功能和損壞情形。
- 若有需要，對切割頭潤滑，參見章节 給切割頭潤滑。
- 檢查本品是否有損壞，不規則之執行雜訊，過熱或者振動過大。
- 檢查切割頭之刀刃是否斷裂，損壞或者不鋒利。
- 即刻挑剔出不能用之產品。

## 6. 維護

爲了保障執行可靠，建議 Aesculap 至少每年進行一次保養。

### 售後服務地址

Albert Kerbl GmbH  
Felizenzell 9  
84428 Buchbach / Germany  
Phone: +49 (0) 8086 933-100  
Fax: +49 (0) 8086 933-500  
E-Mail: info@kerbl.com  
www.kerbl.com

可以從上述地址中獲取其它服務部門之地址。

## 7. 識別和排除故障

### 7.1 FAV5 CL/FORTIS 蓄電池剪毛機

故障	識別	原因	排除方法
FAV5 CL/FORTIS 蓄電池剪毛機無法啓動	檢查開關位置	鋰離子蓄電池無法充電	鋰離子蓄電池正在充電
	-	鋰離子蓄電池損壞	更換新之鋰離子蓄電池
	-	鋰離子蓄電池無法更換	更換新之鋰離子蓄電池
FAV5 CL/FORTIS 蓄電池剪毛機停止工作	-	透過防護電路切斷鋰離子蓄電池	關閉並重新開啓開關
	-	鋰離子蓄電池沒電了	更換新之鋰離子蓄電池
FAV5 CL/FORTIS 蓄電池剪毛機在充電站無法充電	LED 螢幕不亮	-	參見章節 充電器和鋰離子蓄電池

**FAV5 CL/FORTIS 蓄電池剪毛機**
**7.2 充電器和鋰離子蓄電池**

故障	識別	原因	排除方法
充電器不工作	LED 螢幕不亮	沒有插好電源聯結線	將電源聯結線插在充電器之插頭上和供電網之插座內
	鋰離子蓄電池無法充電	電源聯結線故障	更換電源聯結線
充電器故障			由生產廠商維修產品
鋰離子蓄電池無法充電	插入鋰離子蓄電池，充電狀態指示燈不亮	充電器觸點被污染或損壞	清洗充電槽中之觸點，參見章節 清洗 / 消毒或由生產廠商維修
		鋰離子蓄電池損壞	鋰離子蓄電池由生產廠商維修
		充電器故障	由生產廠商維修充電器
		在充電進程中，檢測鋰離子蓄電池內是否溫度過高	將鋰離子蓄電池從充電槽中取出，使其冷卻，並重新開機充電進程。再次出現故障時，由生產廠商對蓄電池進行維修
		充電故障或鋰離子蓄電池損壞	將鋰離子蓄電池從充電槽中取出並重新開機充電進程，必要時在其他充電槽進行。若再次出現故障鋰離子蓄電池由生產廠商維修

## 8. 售後技術服務

對醫療裝置之改動可能導致保固以及可能之許可失效。

### 售後服務地址

Albert Kerbl GmbH  
Felizenzell 9  
84428 Buchbach / Germany  
Phone: +49 (0) 8086 933-100  
Fax: +49 (0) 8086 933-500  
E-Mail: info@kerbl.com  
www.kerbl.com

可以從上述地址中獲得其它服務部門之地址。

## 9. 配件 / 備件

產品編號	規格	電源線	鋰離子蓄電池	充電站	蓄電池剪毛機	配件
GT306/ GT380	歐洲 除了英國	TA012170 歐洲扁插頭，黑色， 長度=1.8 m	GT201	GT200880	G T 3 0 0 / GT380 未包裝	GT604800 潤滑油瓶
GT306G/ GT380G	英國	TA012169 GB- 插頭，黑色 長度=1.8 m	GT201	GT200880	G T 3 0 0 / GT380 未包裝	GT604800 潤滑油瓶
GT306J/ GT380J	日本，墨西哥 110-125 V	TA012168 2 極裝置插座， 黑色 長度=1.8 m	GT201	GT200880	G T 3 0 0 / GT380 未包裝	GT604800 潤滑油瓶
GT306K/ GT380K	美國	TA012168 2 極裝置插座， 黑色 長度=1.8 m	GT201	GT200880	G T 3 0 0 / GT380 未包裝	GT604800 潤滑油瓶

## FAV5 CL/FORTIS 蓄電池剪毛機

## 10. 技術參數

## 10.1 FAV5 CL/FORTIS 蓄電池剪毛機

儀器類別	GT300/GT380
衝程數	2 300 1/ 分
充電電壓 / 輸出電壓	最大 8.4 V
充電電壓 / 輸出電流	最大 1.2 A
重量 (不含切割頭和蓄電池)	385 g
重量 (含切割頭和蓄電池)	450 g
EN 60335-1, EN 60335-2-29	

## 10.2 充電器

儀器類別	GT203
電源電壓範圍 (功耗)	100-240 V
頻率	50-60 Hz
充電電壓 / 輸出電壓	最大 8.4 V
充電電壓 / 輸出電流	最大 1.2 A
重量	495 g
檢驗標識	CE, UL

## 10.3 鋰離子蓄電池

儀器類別	GT201
電池類別	鋰
直流電壓	7.4 V
電容	約 1.2Ah
充電時間	50 分 ±5 分


## 10.4 合格聲明

	我們負責任地聲明，該產品與以下規格或標準檔一致： 2004/108/EG EMV- 條例： DIN EN 60335-1 DIN EN 60335-2-8 家用和類似用途電氣裝置安全須知 - 一般要求 - 用於毛髮剪毛機 Aesculap Suhl GmbH
--	--

## 11. 報廢處理

電子工具，附件和包裝應符合環保地回收利用。

## 11.1 只針對歐盟國家

	請勿將電氣工具投入家庭垃圾中！ 依照有關電子和電氣舊裝置和進入國家法律之轉化歐盟條例 2012/19/EU，不再使用之電子工具需單獨收集並符合環保地回收利用。
---	--

## 11.2 鋰離子蓄電池

蓄電池不能投入家庭垃圾，火或水中。損壞或使用過之蓄電池必須依照條例 2006/66/EG 收集，回收或以環保之方式報廢處理。

## 12. 2 年保固期

尊敬的客戶，

衷心感謝您選擇我們的產品。

Aesculap 銘牌幾十年來都代表著歷經考驗之品質和一流之服務。我們為我們的客戶提供創新和高效之產品。Aesculap 生產高品質之裝置並向您保證，我們使用高品質之材質和採用精細之做工。友情提示，由於不當使用，正常損耗或由於不當使用產品或使用不合適及有缺陷功能之其他產品造成之產品缺陷，我們不承擔責任。

典型之磨損件和我們不擔保之部件包括電池和切割頭。除了未造成影響或只是微小影響之部件或功能之缺陷。

我們保留在保固期內修理或更換產品之責任。



AESCULAP®

Technical alterations reserved  
Technische Änderungen vorbehalten  
Sous réserve de modifications techniques  
Sujeto a modificaciones técnicas  
Con riserva di modifiche tecniche  
Technische wijzigingen voorbehouden  
Med reservation för eventuella tekniska ändringar  
Мы оставляем за собой право вносить технические изменения  
Zmiany techniczne zastrzeżone  
保留技术变动的权力  
技術的変更が行われることがあります。

TA-Nr. 013440 03/17 Änd.-Nr. 56542

**B | BRAUN**  
SHARING EXPERTISE

**Aesculap Suhl GmbH**  
Fröhliche-Mann-Straße 15  
98528 Suhl / Germany

Phone +49 3681 49820  
Fax +49 3681 498234  
E-mail [suhl@aesculap.de](mailto:suhl@aesculap.de)  
[www.aesculap-schermaschinen.de](http://www.aesculap-schermaschinen.de)